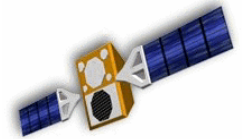


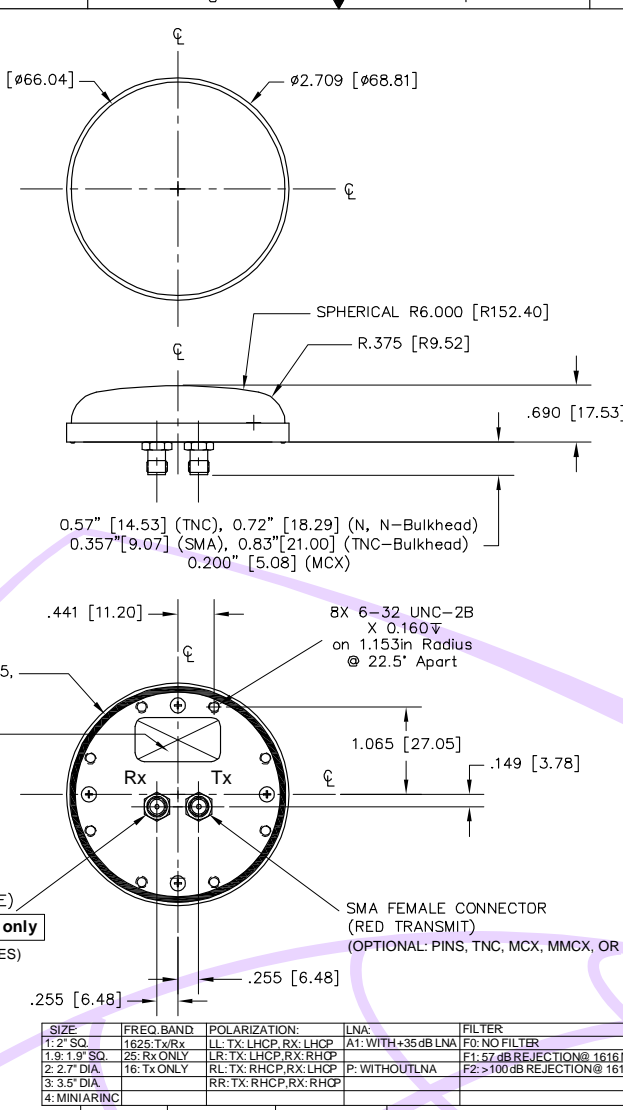


“Not Yet Approved” Passive Antenna for SDVM, P/N: CV90-C6473-1 Rev A (2G1625LL-A1-XS-1F1 Rev B): 2.7” Diameter, Bulkhead/Back Mount Configuration: Outline Drawing



ISO 9001:2008/FAA Approved Facility Antenna Mounts/Adapters: <http://www.antcom.com/documents/catalogs/PeripheralAntennaProducts2.pdf>

ANTCOM CORPORATION . 367 Van Ness Way, Suite 602 . Torrance, CA 90501 . Tel: (310) 782-1076 . Fax: (310) 782-1086 . E-mail: antennas@antcom.com . <http://www.antcom.com>



SPECIFICATIONS		REVISIONS		
ZONE	REV	DESCRIPTION	DATE	APPROVED
ELECTRICAL:		TX	RX	
FREQUENCY:	(1610.0 - 1626.5) MHz	(2483.5 - 2500.0) MHz		
RADIATION PATTERN:	HEMISPHERICAL			SEE PART NO. BELOW
POLARIZATION:	LHCP	LHCP		
VSWR (50 ohms):	< 2.0:1			
GAIN (dB):	Free Space	Free Space		
@ 90° (Zenith):	+3.7	+3.3		
@ 10° Elevation (Ave):	-3.5	-3.2		
@ 20° Elevation (Ave):	-1.8	-1.5		
@ 30° Elevation (Ave):	-0.1	-0.3		
@ 45° Elevation (Ave):	+1.9	+1.1		
@ 70° Elevation (Ave):	+3.6	+2.9		
AXIAL RATIO @ Zenith:	<2 dB	<2 dB		
LNA GAIN:	N/A	(34 +/- 1) dB		
LNA NOISE FIGURE @ 85C:	N/A	<2.8 dB		
LNA INPUT P1dB (dBm):	N/A	>23		
ACTIVE ISOLATION @ TX:	N/A	TX->RX > 30 dB		
FILTER REJ. : (824-894) MHz		> 55 dB		
(1610-1626.5) MHz	N/A	> 43 dB		
(3220-3253) MHz		> 20 dB		
(4830-4879.5) MHz		> 20 dB		
LNA VOLTAGE	N/A	(+2.5 to +30) Volts DC FROM Rx RF CON.		
LNA DRAWING CURRENT:	N/A	< 38 mA		
POWER HANDLING:	<5 W	1 Watt		

MECHANICAL:

SIZE: DIAMETER: 2.70 in. [68.81 mm]
HEIGHT: 0.69 in. [17.53 mm]

WEIGHT: <4.00 oz. (113 g)

FINISH: SKYDROL RESISTANT POLYURETHANE ENAMEL
BASE IRIDITE PER MIL-C-5441

COLOR: GLOSS WHITE #17925 PER FED-STD-595B
LUSTERLESS GRAY #36320 PER FED-STD-595B
OLIVE DRAB GREEN #34031 PER FED-STD-595B
LUSTERLESS BLACK #37038 PER FED-STD-595B

MATERIAL: 6061-T6 ALUMINUM ALLOY BASE
COMPOSITE RADOME, IMPACT, ABRASION, UV, SOLVENT,
AND SKYDROL RESISTANCE, FIRE RETARDANT

CONNECTOR: Tx (Red): SMA FEMALE, Rx (Blue): SMA FEMALE
(OPTIONAL: PINS, TNC, MCX, MMCX, OR CABLES)

ENVIRONMENTAL:

TEMPERATURE: -67 °F TO +185 °F [-55 °C TO +85 °C]

ALTITUDE: 70,000 ft.

VIBRATION: > 30 G's

HUMIDITY: (90-95)% @ 40C

FEDERAL & MILITARY SPECIFICATIONS:

DESIGN TO: FAA TSO-C144, DO-160D, DO-228, MIL-C-5541,
MIL-E-5400, MIL-I-45208A, MIL-STD-810, AND SAE J1455

SMA FEMALE CONNECTOR (BLUE RECEIVE)
(+2.5 to +30) Volts DC for Active Antenna only
(OPTIONAL: PINS, TNC, MCX, MMCX, OR CABLES)

SIZE	FREQ. BAND	POLARIZATION:	LNA:	FILTER
1: 2" SQ.	1625-Tx/Rx	LL: TX: LHCP, RX: LHCP	A1: WITH +35dB LNA	F0: NO FILTER
1.9" 1.9" SQ.	25: Rx ONLY	LR: TX: LHCP, RX: RHCP	P. WITHOUT LNA	F1: 57dB REJECTION @ 1616 MHz
2: 2.7" DIA.	16: Tx ONLY	RL: TX: RHCP, RX: LHCP		F2: >100dB REJECTION @ 1616 MHz
3: 3.5" DIA.		RR: TX: RHCP, RX: RHCP		
4: MINIARINC				

2G1625LL-A1-XS-1F1

1. DIMENSIONS IN BRACKETS ARE IN MILLIMETERS [mm]
NOTES: UNLESS OTHERWISE SPECIFIED:

CABLE LENGTH	CONNECTOR	COLOR
X: NO CABLE	S: SMA; P: PINS	-1: GLOSS WHITE #17925 PER FED-STD-595B
M: MAG. N. NO MAG	M: MCX; MM: MMCX	-2: LUSTERLESS GRAY #36320 PER FED-STD-595B
F: CABLE LENGTH (IN)	N: NB; N: N-Bulkhead	-3: OLIVE DRAB GREEN #34031 PER FED-STD-595B
R: RIGHT ANGLE CON	T: TB; TNC; TNC-Bulkhead	-4: LUSTERLESS BLACK #37038 PER FED-STD-595B

QUANTITY	DESCRIPTION	PART NO.	MATERIAL	FINISH	ITEM NO.
1	O-Ring	Z-037-N756-75 (9557K127)			5
1	Magnetic Mount Option	MTR-5B			3
1					2
1					1

UNLESS OTHERWISE SPECIFIED		DIMENSIONS ARE IN INCHES	
FRACTIONS	DECIMALS	ANGLES	
± 1/64	.0015 ±	± 1°	
	.002 ±		
	.005 ±		

TOLERANCE 31M PER ANSI Y14.5

REWORK: 1. ALL DIMENSIONS SHALL BE TO DIMENSIONS UNLESS OTHERWISE SPECIFIED

2. ALL DIMENSIONS SHALL BE TO DIMENSIONS UNLESS OTHERWISE SPECIFIED

3. ALL DIMENSIONS SHALL BE TO DIMENSIONS UNLESS OTHERWISE SPECIFIED

4. ALL DIMENSIONS SHALL BE TO DIMENSIONS UNLESS OTHERWISE SPECIFIED

5. ALL DIMENSIONS SHALL BE TO DIMENSIONS UNLESS OTHERWISE SPECIFIED

6. ALL DIMENSIONS SHALL BE TO DIMENSIONS UNLESS OTHERWISE SPECIFIED

7. ALL DIMENSIONS SHALL BE TO DIMENSIONS UNLESS OTHERWISE SPECIFIED

8. ALL DIMENSIONS SHALL BE TO DIMENSIONS UNLESS OTHERWISE SPECIFIED

9. ALL DIMENSIONS SHALL BE TO DIMENSIONS UNLESS OTHERWISE SPECIFIED

10. ALL DIMENSIONS SHALL BE TO DIMENSIONS UNLESS OTHERWISE SPECIFIED

11. ALL DIMENSIONS SHALL BE TO DIMENSIONS UNLESS OTHERWISE SPECIFIED

12. ALL DIMENSIONS SHALL BE TO DIMENSIONS UNLESS OTHERWISE SPECIFIED

13. ALL DIMENSIONS SHALL BE TO DIMENSIONS UNLESS OTHERWISE SPECIFIED

14. ALL DIMENSIONS SHALL BE TO DIMENSIONS UNLESS OTHERWISE SPECIFIED

15. ALL DIMENSIONS SHALL BE TO DIMENSIONS UNLESS OTHERWISE SPECIFIED

16. ALL DIMENSIONS SHALL BE TO DIMENSIONS UNLESS OTHERWISE SPECIFIED

17. ALL DIMENSIONS SHALL BE TO DIMENSIONS UNLESS OTHERWISE SPECIFIED

18. ALL DIMENSIONS SHALL BE TO DIMENSIONS UNLESS OTHERWISE SPECIFIED

19. ALL DIMENSIONS SHALL BE TO DIMENSIONS UNLESS OTHERWISE SPECIFIED

20. ALL DIMENSIONS SHALL BE TO DIMENSIONS UNLESS OTHERWISE SPECIFIED

21. ALL DIMENSIONS SHALL BE TO DIMENSIONS UNLESS OTHERWISE SPECIFIED

22. ALL DIMENSIONS SHALL BE TO DIMENSIONS UNLESS OTHERWISE SPECIFIED

23. ALL DIMENSIONS SHALL BE TO DIMENSIONS UNLESS OTHERWISE SPECIFIED

24. ALL DIMENSIONS SHALL BE TO DIMENSIONS UNLESS OTHERWISE SPECIFIED

25. ALL DIMENSIONS SHALL BE TO DIMENSIONS UNLESS OTHERWISE SPECIFIED

26. ALL DIMENSIONS SHALL BE TO DIMENSIONS UNLESS OTHERWISE SPECIFIED

27. ALL DIMENSIONS SHALL BE TO DIMENSIONS UNLESS OTHERWISE SPECIFIED

28. ALL DIMENSIONS SHALL BE TO DIMENSIONS UNLESS OTHERWISE SPECIFIED

29. ALL DIMENSIONS SHALL BE TO DIMENSIONS UNLESS OTHERWISE SPECIFIED

30. ALL DIMENSIONS SHALL BE TO DIMENSIONS UNLESS OTHERWISE SPECIFIED

31. ALL DIMENSIONS SHALL BE TO DIMENSIONS UNLESS OTHERWISE SPECIFIED

32. ALL DIMENSIONS SHALL BE TO DIMENSIONS UNLESS OTHERWISE SPECIFIED

33. ALL DIMENSIONS SHALL BE TO DIMENSIONS UNLESS OTHERWISE SPECIFIED

34. ALL DIMENSIONS SHALL BE TO DIMENSIONS UNLESS OTHERWISE SPECIFIED

35. ALL DIMENSIONS SHALL BE TO DIMENSIONS UNLESS OTHERWISE SPECIFIED

36. ALL DIMENSIONS SHALL BE TO DIMENSIONS UNLESS OTHERWISE SPECIFIED

37. ALL DIMENSIONS SHALL BE TO DIMENSIONS UNLESS OTHERWISE SPECIFIED

38. ALL DIMENSIONS SHALL BE TO DIMENSIONS UNLESS OTHERWISE SPECIFIED

39. ALL DIMENSIONS SHALL BE TO DIMENSIONS UNLESS OTHERWISE SPECIFIED

40. ALL DIMENSIONS SHALL BE TO DIMENSIONS UNLESS OTHERWISE SPECIFIED

41. ALL DIMENSIONS SHALL BE TO DIMENSIONS UNLESS OTHERWISE SPECIFIED

42. ALL DIMENSIONS SHALL BE TO DIMENSIONS UNLESS OTHERWISE SPECIFIED

43. ALL DIMENSIONS SHALL BE TO DIMENSIONS UNLESS OTHERWISE SPECIFIED

44. ALL DIMENSIONS SHALL BE TO DIMENSIONS UNLESS OTHERWISE SPECIFIED

45. ALL DIMENSIONS SHALL BE TO DIMENSIONS UNLESS OTHERWISE SPECIFIED

46. ALL DIMENSIONS SHALL BE TO DIMENSIONS UNLESS OTHERWISE SPECIFIED

47. ALL DIMENSIONS SHALL BE TO DIMENSIONS UNLESS OTHERWISE SPECIFIED

48. ALL DIMENSIONS SHALL BE TO DIMENSIONS UNLESS OTHERWISE SPECIFIED

49. ALL DIMENSIONS SHALL BE TO DIMENSIONS UNLESS OTHERWISE SPECIFIED

50. ALL DIMENSIONS SHALL BE TO DIMENSIONS UNLESS OTHERWISE SPECIFIED

51. ALL DIMENSIONS SHALL BE TO DIMENSIONS UNLESS OTHERWISE SPECIFIED

52. ALL DIMENSIONS SHALL BE TO DIMENSIONS UNLESS OTHERWISE SPECIFIED

53. ALL DIMENSIONS SHALL BE TO DIMENSIONS UNLESS OTHERWISE SPECIFIED

54. ALL DIMENSIONS SHALL BE TO DIMENSIONS UNLESS OTHERWISE SPECIFIED

55. ALL DIMENSIONS SHALL BE TO DIMENSIONS UNLESS OTHERWISE SPECIFIED

56. ALL DIMENSIONS SHALL BE TO DIMENSIONS UNLESS OTHERWISE SPECIFIED

57. ALL DIMENSIONS SHALL BE TO DIMENSIONS UNLESS OTHERWISE SPECIFIED

58. ALL DIMENSIONS SHALL BE TO DIMENSIONS UNLESS OTHERWISE SPECIFIED

59. ALL DIMENSIONS SHALL BE TO DIMENSIONS UNLESS OTHERWISE SPECIFIED

60. ALL DIMENSIONS SHALL BE TO DIMENSIONS UNLESS OTHERWISE SPECIFIED

61. ALL DIMENSIONS SHALL BE TO DIMENSIONS UNLESS OTHERWISE SPECIFIED

62. ALL DIMENSIONS SHALL BE TO DIMENSIONS UNLESS OTHERWISE SPECIFIED

63. ALL DIMENSIONS SHALL BE TO DIMENSIONS UNLESS OTHERWISE SPECIFIED

64. ALL DIMENSIONS SHALL BE TO DIMENSIONS UNLESS OTHERWISE SPECIFIED

65. ALL DIMENSIONS SHALL BE TO DIMENSIONS UNLESS OTHERWISE SPECIFIED

66. ALL DIMENSIONS SHALL BE TO DIMENSIONS UNLESS OTHERWISE SPECIFIED

67. ALL DIMENSIONS SHALL BE TO DIMENSIONS UNLESS OTHERWISE SPECIFIED

68. ALL DIMENSIONS SHALL BE TO DIMENSIONS UNLESS OTHERWISE SPECIFIED

69. ALL DIMENSIONS SHALL BE TO DIMENSIONS UNLESS OTHERWISE SPECIFIED

70. ALL DIMENSIONS SHALL BE TO DIMENSIONS UNLESS OTHERWISE SPECIFIED

71. ALL DIMENSIONS SHALL BE TO DIMENSIONS UNLESS OTHERWISE SPECIFIED

72. ALL DIMENSIONS SHALL BE TO DIMENSIONS UNLESS OTHERWISE SPECIFIED

73. ALL DIMENSIONS SHALL BE TO DIMENSIONS UNLESS OTHERWISE SPECIFIED

74. ALL DIMENSIONS SHALL BE TO DIMENSIONS UNLESS OTHERWISE SPECIFIED

75. ALL DIMENSIONS SHALL BE TO DIMENSIONS UNLESS OTHERWISE SPECIFIED

76. ALL DIMENSIONS SHALL BE TO DIMENSIONS UNLESS OTHERWISE SPECIFIED

77. ALL DIMENSIONS SHALL BE TO DIMENSIONS UNLESS OTHERWISE SPECIFIED

78. ALL DIMENSIONS SHALL BE TO DIMENSIONS UNLESS OTHERWISE SPECIFIED

79. ALL DIMENSIONS SHALL BE TO DIMENSIONS UNLESS OTHERWISE SPECIFIED

80. ALL DIMENSIONS SHALL BE TO DIMENSIONS UNLESS OTHERWISE SPECIFIED

81. ALL DIMENSIONS SHALL BE TO DIMENSIONS UNLESS OTHERWISE SPECIFIED

82. ALL DIMENSIONS SHALL BE TO DIMENSIONS UNLESS OTHERWISE SPECIFIED

83. ALL DIMENSIONS SHALL BE TO DIMENSIONS UNLESS OTHERWISE SPECIFIED

84. ALL DIMENSIONS SHALL BE TO DIMENSIONS UNLESS OTHERWISE SPECIFIED

85. ALL DIMENSIONS SHALL BE TO DIMENSIONS UNLESS OTHERWISE SPECIFIED

86. ALL DIMENSIONS SHALL BE TO DIMENSIONS UNLESS OTHERWISE SPECIFIED

87. ALL DIMENSIONS SHALL BE TO DIMENSIONS UNLESS OTHERWISE SPECIFIED

88. ALL DIMENSIONS SHALL BE TO DIMENSIONS UNLESS OTHERWISE SPECIFIED

89. ALL DIMENSIONS SHALL BE TO DIMENSIONS UNLESS OTHERWISE SPECIFIED

90. ALL DIMENSIONS SHALL BE TO DIMENSIONS UNLESS OTHERWISE SPECIFIED

91. ALL DIMENSIONS SHALL BE TO DIMENSIONS UNLESS OTHERWISE SPECIFIED

92. ALL DIMENSIONS SHALL BE TO DIMENSIONS UNLESS OTHERWISE SPECIFIED

93. ALL DIMENSIONS SHALL BE TO DIMENSIONS UNLESS OTHERWISE SPECIFIED

94. ALL DIMENSIONS SHALL BE TO DIMENSIONS UNLESS OTHERWISE SPECIFIED

95. ALL DIMENSIONS SHALL BE TO DIMENSIONS UNLESS OTHERWISE SPECIFIED

96. ALL DIMENSIONS SHALL BE TO DIMENSIONS UNLESS OTHERWISE SPECIFIED

97. ALL DIMENSIONS SHALL BE TO DIMENSIONS UNLESS OTHERWISE SPECIFIED

98. ALL DIMENSIONS SHALL BE TO DIMENSIONS UNLESS OTHERWISE SPECIFIED

99. ALL DIMENSIONS SHALL BE TO DIMENSIONS UNLESS OTHERWISE SPECIFIED

100. ALL DIMENSIONS SHALL BE TO DIMENSIONS UNLESS OTHERWISE SPECIFIED