

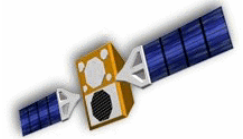


"Not Yet Approved" Active Tx/Rx Globalstar/GPS Antennas

P/N: 2G151625RLL-AA-MSS-XF1

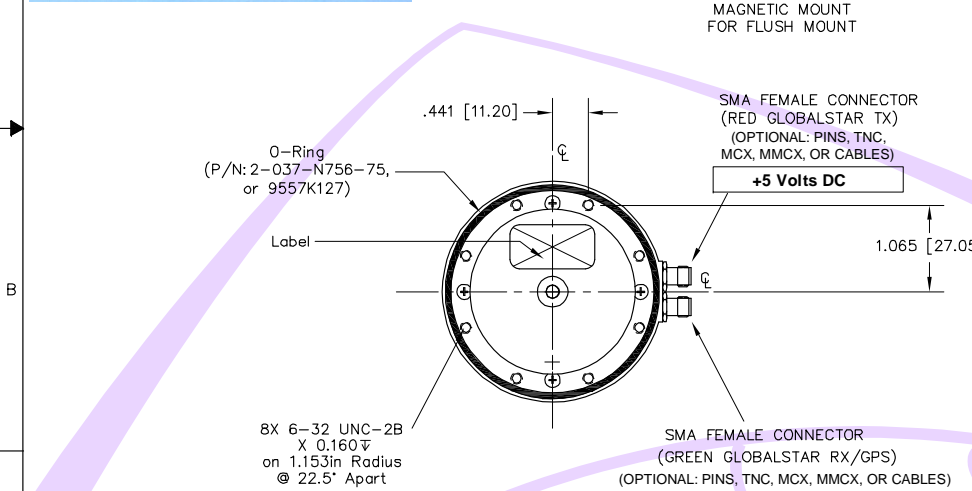
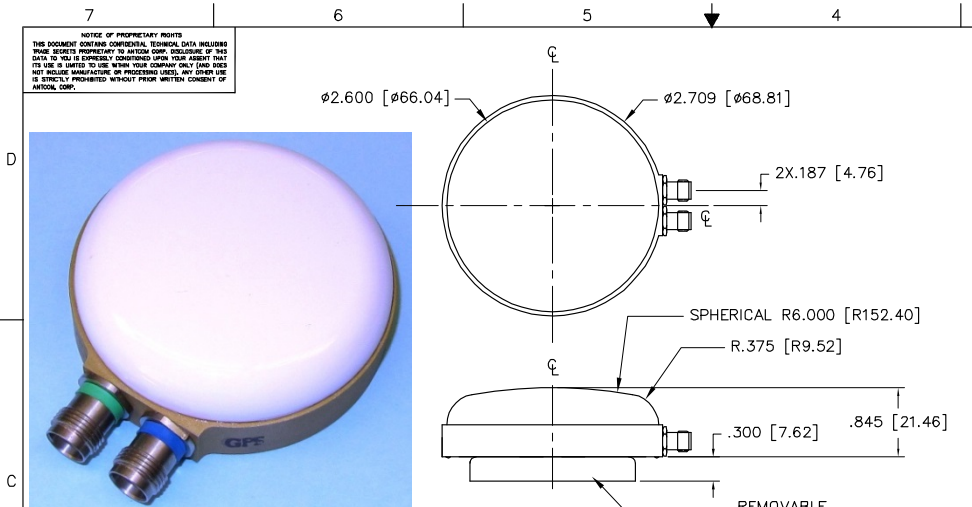
2.7" Diameter, Magnetic/Flush Mount Configuration

Antenna Mounts/Adapters: <http://www.antcom.com/documents/catalogs/PeripheralAntennaProducts2.pdf>



ISO 9001:2008/FAA Approved Facility

ANTCOM CORPORATION . 367 Van Ness Way, Suite 602 . Torrance, CA 90501 . Tel: (310) 782-1076 . Fax: (310) 782-1086 . E-mail: antennas@antcom.com . <http://www.antcom.com>



CONFIGURATION:	FREQ BAND	(GPS/RX)/TX AMP. OPTION:	CABLE LENGTH	(GPS/RX)/TX CONNECTOR	COLOR
1: 2" SQ. (FLAT)	1625-Tx/Rx	A: WITH LNA	X: NO CABLE	S: SMA; P: PINS	-1: GLOSSWHITE #17925 PER FED-STD-595B
1.9: 1.9" SQ. (FLAT)	25: Rx ONLY	P: WITHOUT LNA	M: WITH MAG. MOUNT	M: MCX; MM: MMCX	-2: LUSTERLESS GRAY #36320 PER FED-STD-595B
2: 2.7" DIA. (FLAT)	16: Tx ONLY		#: CABLE LENGTH (IN)	N: N; NB: N-Bulkhead	-3: OLIVE DRAB GREEN #34031 PER FED-STD-595B
3: 3.5" DIA. (FLAT)	151625L1 GPS/Tx/Rx		R: RIGHT ANGLE CON.	T: TNC; TB: TNC-Bulkhead	-4: LUSTERLESS BLACK #37038 PER FED-STD-595B
4: MINI ARINC (FLAT)	12151625L1/L2 GPS/Tx/Rx				-5: DESERT TAN
53: (HELIX ROD)					
5B: (HELIX BLADE)					
3D: (HELIX HANDHELD)					

SPECIFICATIONS

ELECTRICAL:	REVISIONS				
	ZONE	REV	DESCRIPTION	DATE	APPROVED
FREQUENCY:	TX	RX	L1 GPS		
	(1610.0 - 1626.5) MHz	(2483.5 - 2500.0) MHz	(1575.42 ±12) MHz		
RADIATION PATTERN:	HEMISPHERICAL				
POLARIZATION:	LHCP	LHCP	RHCP		
VSWR (50 ohms):	< 2.0:1	< 2.0:1	< 2.0:1		
GAIN (dB):	Free Space	Free Space	Free Space		
@ 90° (Zenith):	+3.7	+3.3	+2.3		
@ 10° Elevation (Ave):	-3.5	-3.2	-5.1		
@ 20° Elevation (Ave):	-1.8	-1.5	-2.7		
@ 30° Elevation (Ave):	-0.1	-0.3	-1.7		
@ 45° Elevation (Ave):	+1.9	+1.1	+0.0		
@ 70° Elevation (Ave):	+3.6	+2.9	+1.6		
AXIAL RATIO @ Zenith:	< 2 dB	< 2 dB	< 2 dB		
AMP. GAIN (With CABLE):	(3±0.7) dB	> 20 dB	> 20 dB		
AMP. NOISE FIGURE @ 85C:	N/A	< 2.8 dB	< 3 dB		
AMP. INPUT P1dB (dBm):	+26	> -23	> -20		
ACTIVE ISOLATION @ TX:	N/A	TX-> RX > 30 dB	TX-> GPS > 40dB		
FILTER REJ.: (824-894) MHz		> 55 dB			
(1610-1626.5) MHz		> 43 dB			
(3220-3253) MHz		> 20 dB			
(4830-4879.5) MHz		> 20 dB			
AMP. VOLTAGE:	+5 Volts DC FROM TX RF CON.				
AMP. DRAWING CURRENT:	< 450 mA	< 38 mA	< 30 mA		
POWER HANDLING:	1 Watt				

MECHANICAL:

SIZE: DIAMETER: 2.70 in. [68.81 mm]
 HEIGHT: 0.793 in. [20.14 mm]

WEIGHT: < 4.00 oz. (113 g)

FINISH: SKYDROL RESISTANT POLYURETHANE ENAMEL
 BASE IRIDITE PER MIL-C-5441

COLOR: GLOSS WHITE #17925 PER FED-STD-595B
 LUSTERLESS GRAY #36320 PER FED-STD-595B
 OLIVE DRAB GREEN #34031 PER FED-STD-595B
 LUSTERLESS BLACK #37038 PER FED-STD-595B

MATERIAL: 6061-T6 ALUMINUM ALLOY BASE
 COMPOSITE RADOME, IMPACT, ABRASION, UV, SOLVENT,
 AND SKYDROL RESISTANCE, FIRE RETARDANT

CONNECTOR: Tx (Red): SMA FEMALE, Rx/GPS (Green): SMA FEMALE
 (OPTIONAL: PINS, TNC, MCX, MMCX, OR CABLES)

ENVIRONMENTAL:

TEMPERATURE: -67 °F TO +185 °F [-55 °C TO +85 °C]
 ALTITUDE: 70,000 ft.
 VIBRATION: > 30 G's
 HUMIDITY: (90-95)% @ 40C

FEDERAL & MILITARY SPECIFICATIONS:

DESIGN TO: FAA TSO-C144, DO-160D, D0-228, MIL-C-5541,
 MIL-E-5400, MIL-I-45208A, MIL-STD-810, AND SAE J1455

QTY	DESCRIPTION	PART NO.	MATERIAL	FINISH	REV
1	Rx Cable Option 2	TNC-MR-20ft-SMA-M			5
1	Tx Cable Option 2	TNC-M-20ft-SMA-M			4
1	Rx Cable Option 1	TNC-MR-6ft-SMA-M			3
1	Tx Cable Option 1	TNC-M-6ft-SMA-M			4
1	Magnetic Mount Option	MTR-5B			2
1	O-Ring	2-037-N756-75 (9557K127)			1

UNLESS OTHERWISE SPECIFIED DIMENSIONS ARE IN INCHES FRACTIONS TO DECIMALS ANGLES ± 1/64 .XXX .005 ± 1'

TOLERANCE 5M PER ANS Y14.5

REMOVE ALL BURRS

BREAK EXTERNAL EDGES .008 TO .016 RADIUS R .008 TO R .016

SCREW THREADS PER UNF-3-4879

DRY'S ON CONTACT & 27-000

MACHINED SURFACES 127

DO NOT SCALE DRAWING

ANTCOM CORP. TORRANCE, CALIFORNIA

2.7" DIAMETER, MAGNETIC MOUNT ACTIVE GLOBALSTAR/GPS ANTENNA

3CVE1

2G151625RLL-AA-MSS-1F1

SCALE 1/1

SHEET 1 OF 1