



FAA Approved Facility

L1L2 GPS Filter

with DC Pass Thru from Output to Input and with Better Insertion Loss

P/N: 2G1215F-XS-X

Antenna Mounts/Adapters: <http://www.antcom.com/documents/catalogs/PeripheralAntennaProducts2.pdf>



ANTCOM CORPORATION . 367 Van Ness Way, Suite 602 . Torrance, CA 90501 . Tel: (310) 782-1076 . Fax: (310) 782-1086 . E-mail: antennas@antcom.com . <http://www.antcom.com>

NOTICE OF PROPRIETARY RIGHTS
THIS DOCUMENT CONTAINS CONFIDENTIAL TECHNICAL DATA INCLUDING TRADE SECRETS PROPRIETARY TO ANTCOM CORP. DISCLOSURE OF THIS DATA TO YOU IS EXPRESSLY PROHIBITED UNLESS YOU AGREE THAT YOUR USE IS LIMITED TO USE WITHIN YOUR COMPANY ONLY AND DOES NOT INCLUDE MANUFACTURE OR REPRODUCTION. ANY OTHER USE IS EXPRESSLY PROHIBITED WITHOUT PRIOR WRITTEN CONSENT OF ANTCOM CORP.

SPECIFICATIONS

REVISIONS				
ZONE	REV	DESCRIPTION	DATE	APPROVED
-	-	-	-	-

ELECTRICAL:

P/N:	2G1215F-XS-X
FREQUENCY:	(1.227±.015 - 1.575±.015) GHz
VSWR:	1.5:1
IMPEDANCE:	50 ohms
INSERTION LOSS:	
1.227 GHz:	<1.6 dB
1.575 GHz:	<1.9 dB
REJECTION:	
1.227±.075 GHz:	-16 dB
1.227±.100 GHz:	-20 dB
1.575±.075 GHz:	-12 dB
1.575±.100 GHz:	-16 dB
DC POWER (Pass Thru):	(DC to 30) Volts/ (0-250) mA
POWER HANDLING:	1Watt CW (+30dBm)

MECHANICAL:

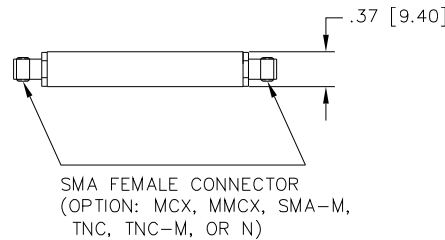
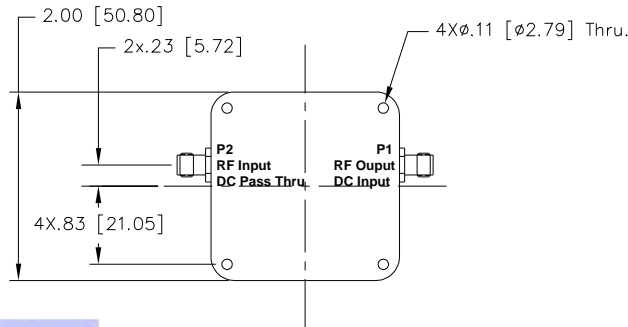
SIZE:	LENGTH=2.00 in.[50.80 mm], WIDTH=2.00 in.[50.80 mm], HEIGHT= <0.61 in.[15.47 mm]
WEIGHT:	4.00 oz. (.113 Kg)
FINISH:	IRIDITE PER MIL-C-5441F
MATERIAL:	6061-T6 ALUMINUM ALLOY
CONNECTOR:	SMA FEMALE (OPTION: MCX, MMCX, SMA-M, TNC, TNC-M, OR N)

ENVIRONMENTAL:

TEMPERATURE:	-67 °F TO +185 °F [-55 °C TO +85 °C] (Operational) -85 °F TO +302 °F [-65 °C TO +150 °C] (Storage)
ALTITUDE:	70,000 ft.
VIBRATION:	>30 G's
LEAKAGE:	HERMETICALLY SEALED

FEDERAL & MILITARY SPECIFICATIONS:

DESIGN TO: FAA TSO-C144, DO-160D, DO-228, MIL-C-5541, MIL-E-5400, MIL-I-45208A, MIL-STD-810, AND SAE J1455



CABLE'S LENGTH:	INPUT/ OUPUT CONNECTOR	Ext. DC CONNECTOR
X: NO CABLE	S: SMA, SM: SMA-M,	S: SMA, SM: SMA-M,
M: WITH MAG. MOUNT	M: MCX, MM: MMCX	M: MCX, MM: MMCX
#: CABLE LENGTH (IN)	T: TNC, TM: TNC-M	T: TNC, TM: TNC-M; N: N
R: RIGHT ANGLE CON.	N: N	

P/N: 2G1215F-XS-X

FREQ. BAND:
0105: (100 to 500) MHz
0160: (0.1-6.0) GHz
4460: (4.4-6.0) GHz
1030: (1 to 3) GHz
07180: (0.7 to 18) GHz
60180: (6 to 18) GHz
1215: L1/L2
2425: 2.4-2.5

DC OPTION:
1: DC BIAS FROM RF OUTPUT PORT P1
2: EXTERNAL DC INPUT

QTY	DESCRIPTION	PART NO	SPECIFICATION	MATERIAL	FINISH	ITEM NO
1						1

QUANTITY REQD		PARTS LIST	
UNLESS OTHERWISE SPECIFIED	DIMENSIONS ARE IN INCHES	ORIGINALLY DRAWN	S. HUYNH
FRACTIONS	DECIMALS	DATE	Oct-02-02
± 1/64	± .005	ORIGINALLY DESIGNED	S. HUYNH
ANGLES	± 1°	DATE	Oct-02-02
TOLERANCE SW PER ANSI Y14.5		UPDATED	S. HUYNH
REMOVE ALL BURRS		DATE	Sept-30-13
BREAK INTERNAL EDGES .005 TO .015		UPDATE DRAWN	P. TRAN
FILED & 300 TO P. 030		DATE	Sept-30-13
SIZE IN PARENS FOR MIL-S-8879		APPROVED	S. HUYNH
QTS ON A COMMON & .05 .005		DATE	Sept-30-13
MACHINED SURFACES		DO NOT SCALE DRAWING	

ANTCOM CORP. TORRANCE, CALIFORNIA	
L1L2 GPS FILTER	
DATE: 02/04/13	DRAWN BY: P. TRAN
SCALE: 1/1	SHEET 1 OF 1