



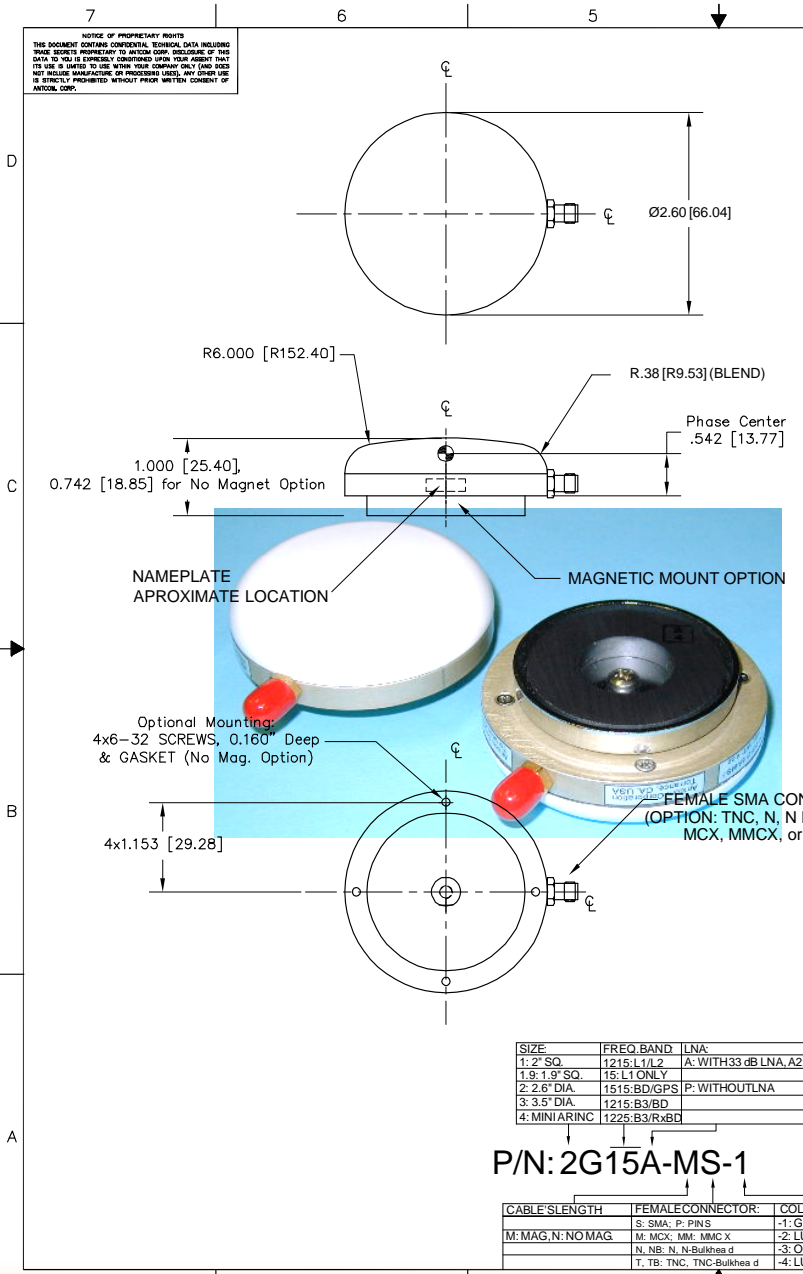
ISO 9001:2008/FAA Approved Facility

GPS/BD Antenna, P/N: 2B1515A-MS-1

2.6" Diameter, Magnetic/Back Mount Configurations



ANTCOM CORPORATION . 367 Van Ness Way, Suite 602 . Torrance, CA 90501 . Tel: (310) 782-1076 . Fax: (310) 782-1086 . E-mail: antennas@antcom.com . http://www.antcom.com



SPECIFICATIONS

ELECTRICAL:

ELECTRICAL:		REVISIONS				
		ZONE	REV	DESCRIPTION	DATE	APPROVED
FREQUENCY:	L1: (1575.42±5) MHz					
	BD: (1561.1±6) MHz					
RADIATION PATTERN:	HEMISPHERICAL					
POLARIZATION:	RHCP					
VSWR:	< 1.5:1					
IMPEDANCE:	50 ohms					
ANTENNA GAIN (dBic):	Free Space	4 ft G.P.	Free Space	4 ft G.P.		
@ 90 ° (ZENITH):	+ 4.1	+ 2.5	+ 5.7	+ 2.5		
@ 10 ° Elevation:	- 3.5	- 3.0	- 1.8	- 3.0		
@ 20 ° Elevation:	- 2.1	- 0.2	- 0.4	- 0.2		
@ 30 ° Elevation:	- 0.8	+ 0.8	+ 0.9	+ 0.8		
@ 60 - 90 ° Elevation:	> 2.5	> 1.8	> 4.1	> 1.8		
BEAM WIDTH (3dB):	87 Deg.	139 Deg.	89 Deg.	139 Deg.		
AXIAL RATIO:	2 dB		2 dB			
LIGHTNING PROTECTION:	DC GROUNDING					
LNA GAIN:	35					
LNA NOISE FIGURE:	1.9 dB					
LNA P1dB Out:	+13 dBm					
LNA DC POWER:	(2.5-24) V / < 35 mA					
POWER HANDLING:	1 Watt CW					

MECHANICAL:

SIZE: DIAMETER: 2.60 in. [66.04 mm]
 HEIGHT: 1.0 in. [25.4 mm], 0.742 [18.85] for No Magnet Option
 WEIGHT: 7.00 oz. [0.198 Kg], 4.00 oz. [0.113 Kg] (WITHOUT MAGNET)
 FINISH: SKYDROL RESISTANT POLYURETHANE ENAMEL
 BASE IRIDITE PER MIL-C-5441
 MATERIAL: 6061-T6 ALUMINUM ALLOY BASE
 COMPOSITE RADOME, IMPACT, ABRASION, UV, SOLVENT, SKYDROL RESISTANCE, AND FIRE RETARDANT
 CONNECTOR: SMA FEMALE
 (OPTION: TNC, N, MCX, MMCX, or Cable)

ENVIRONMENTAL:

TEMPERATURE: -67 °F TO +185 °F [-55 °C TO +85 °C]
 ALTITUDE: 70,000 ft.
 VIBRATION: > 30 G's
 LEAKAGE: HERMETICALLY SEAL

FEDERAL & MILITARY SPECIFICATIONS:

DESIGN TO: FAA TSO-C144, DO-160D, D0-228, MIL-C-5541, MIL-E-5400, MIL-I-45208A, MIL-STD-810, AND SAE J1455

ACCEPTANCE TEST PROCEDURE: ATP-GPS-L1L2-100

SIZE	FREQ. BAND	LNA:
1: 2" SQ.	1215:L1/L2	A: WITH 33 dB LNA, A2: WITH 20 dB LNA, A4: WITH 40 dB LNA
1.9: 1.9" SQ.	15:L1 ONLY	
2: 2.6" DIA.	1515:BD/GPS	P: WITHOUT LNA
3: 3.5" DIA.	1215:B3/BD	
4: MINIARINC	1225:B3/R3BD	

P/N: 2G15A-MS-1

CABLE LENGTH	FEMALE CONNECTOR:	COLOR
M: MAG; N: NO MAG	S: SMA; P: PINS M: MCX; MM: MMCX N: NB; N: N-Bulkhead T: TB: TNC, TNC-Bulkhead	-1: GLOSSWHITE#17925PER FED-STD-595B -2: LUSTERLESSGRAY#36320PER FED-STD-595B -3: OLIVEDRAB GREEN#34031 PER FED-STD-595B -4: LUSTERLESSBLACK#37038PER FED-STD-595B

QUANTITY REQD	DESCRIPTION	PART NO	MATERIAL	FINISH	REV NO
1					5
1					3
1					2
1					1
-2	-1				

UNLESS OTHERWISE SPECIFIED DIMENSIONS ARE IN INCHES		TOLERANCES ARE:		ANGLES	
FRACTIONS	DECIMALS	FRACTIONS	DECIMALS	FRACTIONS	DECIMALS
± 1/64	± .005	± 1/64	± .005	± 1°	± .1°
TOLERANCE 51M PER ANS I14.5		DROPPED		DROPPED	
REMOVE ALL BURRS		DROPPED		DROPPED	
BREAK EXTERNAL EDGES .005 TO .015		DROPPED		DROPPED	
FILE TO .0015 TO .0025		DROPPED		DROPPED	
DRESS SURFACES PER MIL-C-8879		DROPPED		DROPPED	
DIPS ON A CONFORMER		DROPPED		DROPPED	
MACHINED SURFACES		DROPPED		DROPPED	
DO NOT SCALE DRAWING		DROPPED		DROPPED	

ANTCOM CORP. TORRANCE, CALIFORNIA		2.6 in Dia. Flat or Mag. Mount ACTIVE GPS/BD ANTENNA	
REV	DATE	REV	DATE
DJ3CVE1	Mar-18-07	2B1515A-MS-1	
SCALE 1/1		SHEET 1 OF 1	