



FAA Approved Facility

### High Gain S-Band Helix Antenna

P/N: 28x1.6H2223L-P-XT-1 (2.2-2.3 GHz, TNC, White)

P/N: 28x1.6H2425L-P-XT-1 (2.4-2.5 GHz, TNC, White)

P/N: 28x1.6H2025L-P-XT-1 (2.0-2.5 GHz, TNC, White)

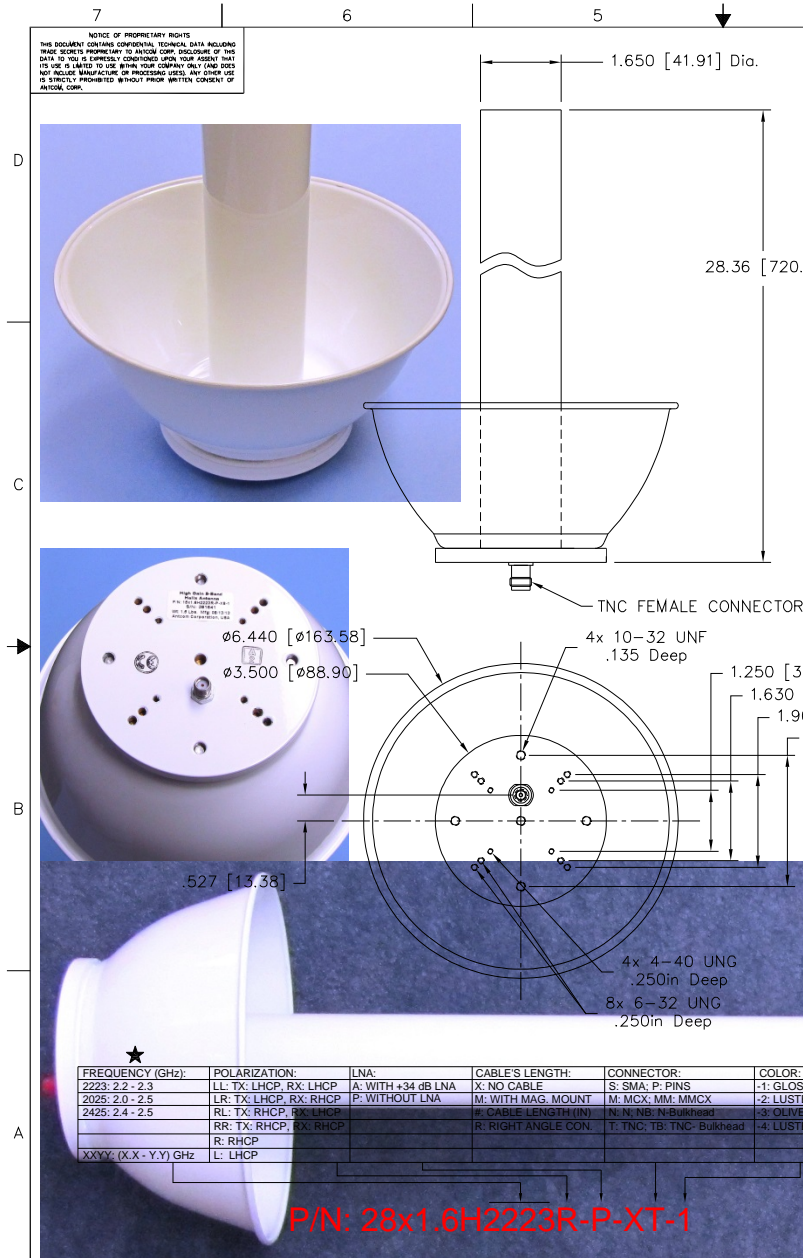
Other Frequencies, LNAs, Polarizations, Connectors and Colors are Available

Antenna Mounts/Adapters: <http://www.antcom.com/documents/catalogs/PeripheralAntennaProducts2.pdf>



ANTCOM CORPORATION . 367 Van Ness Way, Suite 602 . Torrance, CA 90501 . Tel: (310) 782-1076 . Fax: (310) 782-1086 . E-mail: [antennas@antcom.com](mailto:antennas@antcom.com) . <http://www.antcom.com>

NOTICE OF PROPRIETARY RIGHTS  
THIS DOCUMENT CONTAINS CONFIDENTIAL, TECHNICAL DATA INCLUDING TRADE SECRETS PROPRIETARY TO ANTCOM CORP. DISCLOSURE OF THIS DATA TO YOU IS EXPRESSLY CONDITIONED UPON YOUR AGREEMENT THAT ITS USE IS LIMITED TO USE WITHIN YOUR COMPANY ONLY AND DOES NOT INCLUDE MANUFACTURE OR PROCESSING THEREOF. ANY OTHER USE IS EXPRESSLY PROHIBITED WITHOUT PRIOR WRITTEN CONSENT OF ANTCOM CORP.



#### SPECIFICATIONS

REVISIONS		DATE	APPROVED
ZONE	REV	DESCRIPTION	

#### ELECTRICAL:

FREQUENCY (GHz):	S-BAND (2200-2300) ★
RADIATION PATTERN:	DIRECTIONAL
POLARIZATION:	LHCP
VSWR:	2.0:1
IMPEDANCE:	50 ohms
ANTENNA GAIN (dBic):	15.2dBic

#### MECHANICAL:

SIZE: TOP DIA: = 1.65in [41.9 mm], BASE DIA = 3.50 in [ 88.90 mm]  
HEIGHT = 28.36in [720.3mm]

WEIGHT: 45 oz. (1.27 kg)

FINISH: SKYDROL RESISTANT POLYURETHANE ENAMEL  
BASE IRIDITE PER MIL-C-5541F TYPE II CLASS 1A

COLOR: GLOSS WHITE #17925 PER FED-STD-595B  
LUSTERLESS GRAY #36320 PER FED-STD-595B  
OLIVE DRAB GREEN #34031 PER FED-STD-595B  
LUSTERLESS BLACK #37038 PER FED-STD-595B

MATERIAL: 6061-T6 ALUMINUM ALLOY BASE  
COMPOSITE RADOME, IMPACT, ABRASION, UV, SOLVENT,  
AND SKYDROL RESISTANCE, FIRE RETARDANT

CONNECTOR: TNC FEMALE  
(OPTION: SMA, N, BNC)

#### ENVIRONMENTAL:

TEMPERATURE: -67 °F TO +185 °F [-55 °C TO +85 °C]

ALTITUDE: 70,000 ft.

VIBRATION: > 30 G's

LEAKAGE: HERMETICALLY SEALED

#### FEDERAL & MILITARY SPECIFICATIONS:

DESIGN TO: FAA TSO-C144, DO-160D, D0-228, MIL-C-5541F,  
MIL-E-5400, MIL-I-45208A, MIL-STD-810, AND SAE J1455

FREQUENCY (GHz):	POLARIZATION:	LNA:	CABLE'S LENGTH:	CONNECTOR:	COLOR:
2223: 2.2 - 2.3	LL: TX: LHCP, RX: LHCP	A: WITH +34 dB LNA	X: NO CABLE	S: SMA; P: PINS	1: GLOSS WHITE #17925 PER FED-STD-595B
2325: 2.0 - 2.5	LR: TX: LHCP, RX: RHCP	P: WITHOUT LNA	M: WITH MAG. MOUNT	M: MMCX; MM: MMCX	2: LUSTERLESS GRAY #36320 PER FED-STD-595B
2425: 2.4 - 2.5	RL: TX: RHCP, RX: LHCP		N: NO MAG. MOUNT	N: N/A	3: OLIVE DRAB GREEN #34031 PER FED-STD-595B
	RR: TX: RHCP, RX: RHCP		R: RIGHT ANGLE CON.	T: TNC; TB: TNC Bulkhead	4: LUSTERLESS BLACK #37038 PER FED-STD-595B
	R: RHCP				
XXXX: (X.X - Y.Y) GHz	L: LHCP				

QUANTITY	DESCRIPTION	PART NO.	REV. NO.
4	MOUNTING SCREW: (10-32 Pan Head Phillips, 1/4")	M551958-59	2
-1	DESCRIPTION	PART NO.	REV. NO.

UNLESS OTHERWISE SPECIFIED DIMENSIONS ARE IN INCHES	FRACIONS SHALL BE IN 16ths	DECIMALS SHALL BE IN 10ths	ANGLES ± 1°
TOLERANCE SIN PER ANS Y14.5			
REMOVE ALL BURRS			
BREAK EXTERNAL EDGES .005 TO .015			
FILED IN .005 TO .010			
SCREW THREADS PER MIL-S-8879			
DITS ON A CONFORM TO 27-006			
MACHINED SURFACES			
DO NOT SCALE DRAWING			

ANTCOM CORP. TORRANCE CALIFORNIA	
HIGH GAIN S-BAND HELIX ANTENNA	
DATE	REV. NO.
DEC-07-09	1
DEC-07-09	2
JULY-01-13	3
JULY-01-13	4
JULY-01-13	5
JULY-01-13	6
JULY-01-13	7
JULY-01-13	8
JULY-01-13	9
JULY-01-13	10
JULY-01-13	11
JULY-01-13	12
JULY-01-13	13
JULY-01-13	14
JULY-01-13	15
JULY-01-13	16
JULY-01-13	17
JULY-01-13	18
JULY-01-13	19
JULY-01-13	20
JULY-01-13	21
JULY-01-13	22
JULY-01-13	23
JULY-01-13	24
JULY-01-13	25
JULY-01-13	26
JULY-01-13	27
JULY-01-13	28
JULY-01-13	29
JULY-01-13	30
JULY-01-13	31
JULY-01-13	32
JULY-01-13	33
JULY-01-13	34
JULY-01-13	35
JULY-01-13	36
JULY-01-13	37
JULY-01-13	38
JULY-01-13	39
JULY-01-13	40
JULY-01-13	41
JULY-01-13	42
JULY-01-13	43
JULY-01-13	44
JULY-01-13	45
JULY-01-13	46
JULY-01-13	47
JULY-01-13	48
JULY-01-13	49
JULY-01-13	50
JULY-01-13	51
JULY-01-13	52
JULY-01-13	53
JULY-01-13	54
JULY-01-13	55
JULY-01-13	56
JULY-01-13	57
JULY-01-13	58
JULY-01-13	59
JULY-01-13	60
JULY-01-13	61
JULY-01-13	62
JULY-01-13	63
JULY-01-13	64
JULY-01-13	65
JULY-01-13	66
JULY-01-13	67
JULY-01-13	68
JULY-01-13	69
JULY-01-13	70
JULY-01-13	71
JULY-01-13	72
JULY-01-13	73
JULY-01-13	74
JULY-01-13	75
JULY-01-13	76
JULY-01-13	77
JULY-01-13	78
JULY-01-13	79
JULY-01-13	80
JULY-01-13	81
JULY-01-13	82
JULY-01-13	83
JULY-01-13	84
JULY-01-13	85
JULY-01-13	86
JULY-01-13	87
JULY-01-13	88
JULY-01-13	89
JULY-01-13	90
JULY-01-13	91
JULY-01-13	92
JULY-01-13	93
JULY-01-13	94
JULY-01-13	95
JULY-01-13	96
JULY-01-13	97
JULY-01-13	98
JULY-01-13	99
JULY-01-13	100

P/N: 28x1.6H2223R-P-XT-1