



FAA Approved Facility

High Gain S-Band Helix Antenna

P/N: 28x1.6H2223R-P-XT-1 (2.2-2.3 GHz, TNC, White), P/N: 28x1.6H2425R-P-XT-1 (2.4-2.5 GHz, TNC, White)
 P/N: 28x1.6H2025R-P-XT-1 (2.0-2.5 GHz, TNC, White), P/N: 28x1.6H1625R-P-XT-1 (1.6-2.5 GHz, TNC, White)

Other Frequencies, LNAs, Polarizations, Connectors and Colors are Available

Antenna Mounts/Adapters: <http://www.antcom.com/documents/catalogs/PeripheralAntennaProducts2.pdf>

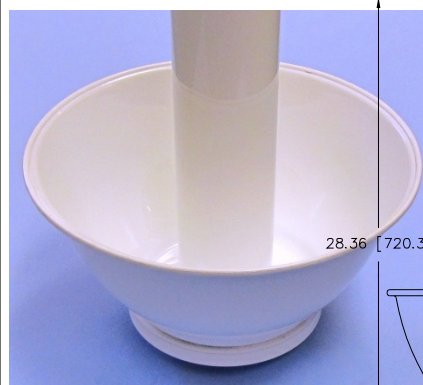

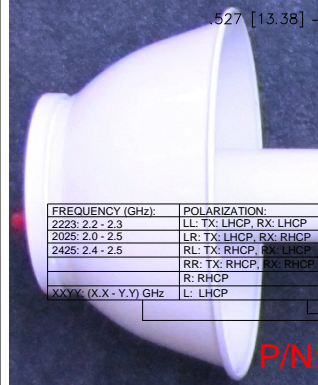


ANTCOM CORPORATION . 367 Van Ness Way, Suite 602 . Torrance, CA 90501 . Tel: (310) 782-1076 . Fax: (310) 782-1086 . E-mail: antennas@antcom.com . <http://www.antcom.com>

NOTICE OF PROPRIETARY RIGHTS
 THIS DOCUMENT CONTAINS CONFIDENTIAL, TECHNICAL DATA INCLUDING TRADE SECRETS PROPRIETARY TO ANTCOM CORP. DISCLOSURE OF THIS DATA TO YOU IS EXPRESSLY CONDITIONED UPON YOUR AGREEMENT THAT ITS USE IS LIMITED TO USE WITHIN YOUR COMPANY ONLY AND DOES NOT INCLUDE MANUFACTURE OR REPRODUCTION. ANY OTHER USE IS EXPRESSLY PROHIBITED WITHOUT PRIOR WRITTEN CONSENT OF ANTCOM CORP.

SPECIFICATIONS

REVISIONS		DATE	APPROVED
ZONE	REV	DESCRIPTION	

1.650 [41.91] Dia.

28.36 [720.3]

TNC FEMALE CONNECTOR

4x 10-32 UNF .135 Deep

1.250 [31.75] SQ.

1.630 [41.41] SQ.

1.900 [48.25] SQ.

2.687 [68.24] SQ.

4x 4-40 UNG .250in Deep

8x 6-32 UNG .250in Deep

Ø6.440 [Ø163.58]

Ø3.500 [Ø88.90]

Ø5.27 [133.8]

ELECTRICAL:

FREQUENCY (GHz):	1.6 GHz	1.7 GHz	1.8 GHz	1.9 GHz	2.0 GHz	2.1 GHz	S-BAND (2.20-2.30)	2.4 GHz	2.5 GHz
ANTENNA GAIN (dBic):	1.8 dBic	9.6 dBic	11.6 dBic	11.7 dBic	13.5 dBic	15.8 dBic	15.4 dBic	14.5 dBic	12.6 dBic
RADIATION PATTERN:	DIRECTIONAL								
POLARIZATION:	RHCP								
VSWR:	2.0:1								
IMPEDANCE:	50 ohms								

MECHANICAL:

SIZE: TOP DIA = 1.65in [41.9 mm], BASE DIA = 3.50 in [88.90 mm]
 HEIGHT = 28.36in [720.3mm]

WEIGHT: 45 oz. (1.27 kg)

FINISH: SKYDROL RESISTANT POLYURETHANE ENAMEL
 BASE IRIDITE PER MIL-C-5541F TYPE II CLASS 1A

COLOR: GLOSS WHITE #17925 PER FED-STD-595B
 LUSTERLESS GRAY #36320 PER FED-STD-595B
 OLIVE DRAB GREEN #34031 PER FED-STD-595B
 LUSTERLESS BLACK #37038 PER FED-STD-595B

MATERIAL: 6061-T6 ALUMINUM ALLOY BASE
 COMPOSITE RADOME, IMPACT, ABRASION, UV, SOLVENT, AND SKYDROL RESISTANCE, FIRE RETARDANT

CONNECTOR: TNC FEMALE (OPTION: SMA, N, BNC)

ENVIRONMENTAL:

TEMPERATURE: -67 °F TO +185 °F [-55 °C TO +85 °C]
 ALTITUDE: 70,000 ft.
 VIBRATION: > 30 G's

LEAKAGE: HERMETICALLY SEALED

FEDERAL & MILITARY SPECIFICATIONS:

DESIGN TO: FAA TSO-C144, DO-160D, D0-228, MIL-C-5541F, MIL-E-5400, MIL-I-45208A, MIL-STD-810, AND SAE J1455

FREQUENCY (GHz):	POLARIZATION:	LNA:	CABLE'S LENGTH:	CONNECTOR:	COLOR:
2223: 2.2 - 2.3	LL: TX: LHCP, RX: RHCP	A: WITH +34 dB LNA	X: NO CABLE	S: SMA; P: PINS	-1: GLOSS WHITE #17925 PER FED-STD-595B
2025: 2.0 - 2.5	LR: TX: LHCP, RX: RHCP	P: WITHOUT LNA	M: WITH MAG. MOUNT	M: MCX; MM: MMX	-2: LUSTERLESS GRAY #36320 PER FED-STD-595B
2425: 2.4 - 2.5	RL: TX: RHCP, RX: LHCP		N: N; NB: N-Bulkhead		-3: OLIVE DRAB GREEN #34031 PER FED-STD-595B
	RR: TX: RHCP, RX: RHCP		R: RIGHT ANGLE CON.	T: TNC; TB: TNC-Bulkhead	-4: LUSTERLESS BLACK #37038 PER FED-STD-595B
	R: RHCP				
XXXX: (X.X - Y.Y) GHz	L: LHCP				

QUANTITY REQD	DESCRIPTION	PART NO	REV
4	MOUNTING SCREW: (10-32 Pan Head Phillips, 1/4")	MS51958-59	2
-1	DESCRIPTION	PART NO	REV

UNLESS OTHERWISE SPECIFIED DIMENSIONS ARE IN INCHES		TOLERANCES UNLESS OTHERWISE SPECIFIED	
FRACTIONS	DECIMALS	ANGLES	
± 1/64	± .005	± 1°	

DATE	BY	CHKD BY	APP'D BY	DESCRIPTION
DEC-07-09	S. HUYNH			ORIGINALLY DRAWN
DEC-07-09	S. HUYNH			ORIGINALLY DESIGNED
JULY-01-13	S. HUYNH			UPDATED
JULY-01-13	P. TRAN			UPDATE DRAWN
JULY-01-13	S. HUYNH			APPROVED

ANTCOM CORP.		TORRANCE, CALIFORNIA
HIGH GAIN S-BAND HELIX ANTENNA		
REV	DATE	DESCRIPTION
D	30VE1	28X1.6H2223R-P-XT-1

SCALE 1/1

SHEET 1 OF 1

P/N: 28x1.6H2223R-P-XT-1