



High Gain S-Band Helix Antenna

P/N: 28x1.6H2223R-P-XT-1 (2.2-2.3 GHz, TNC, White), P/N: 28x1.6H2425R-P-XT-1 (2.4-2.5 GHz, TNC, White)

P/N: 28x1.6H2025R-P-XT-1 (2.0-2.5 GHz, TNC, White), P/N: 28x1.6H1625R-P-XT-1 (1.6-2.5 GHz, TNC, White)

Other Frequencies, LNAs, Polarizations, Connectors and Colors are Available



ISO 9001:2008/FAA Approved Facility

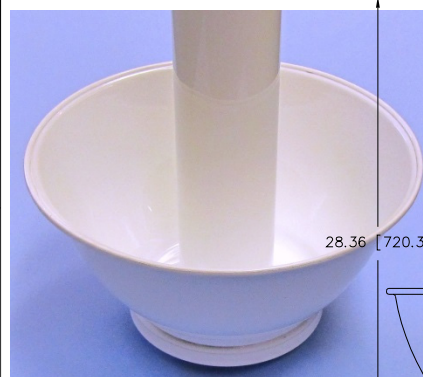
Antenna Mounts/Adapters: <http://www.antcom.com/documents/catalogs/PeripheralAntennaProducts2.pdf>

ANTCOM CORPORATION . 367 Van Ness Way, Suite 602 . Torrance, CA 90501, USA . Tel: (310) 782-1076 . Fax: (310) 782-1086 . E-mail: antennas@antcom.com . <http://www.antcom.com>


NOTICE OF PROPRIETARY RIGHTS
THIS DOCUMENT CONTAINS CONFIDENTIAL, TECHNICAL DATA INCLUDING TRADE SECRETS PROPRIETARY TO ANTCOM CORP. DISCLOSURE OF THIS DATA TO YOU IS EXPRESSLY CONSIDERED UNLAWFUL UNLESS YOUR USE IS LIMITED TO USE WITHIN YOUR COMPANY ONLY AND DOES NOT INCLUDE MANUFACTURE OR PROCEEDING THEREON. ANY OTHER USE IS EXPRESSLY PROHIBITED WITHOUT PRIOR WRITTEN CONSENT OF ANTCOM CORP.

SPECIFICATIONS

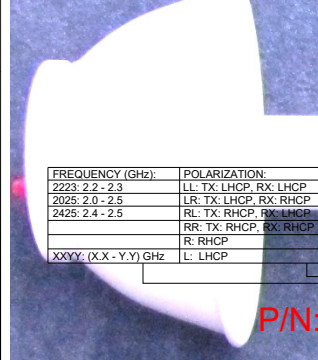
REVISIONS		DATE	APPROVED
ZONE	REV	DESCRIPTION	



28.36 [720.3]



527 [13.38]



1.650 [41.91] Dia.

ELECTRICAL:

FREQUENCY (GHz):	1.6 GHz	1.7 GHz	1.8 GHz	1.9 GHz	2.0 GHz	2.1 GHz	S-BAND (2.20-2.30)	2.4 GHz	2.5 GHz
ANTENNA GAIN (dBic):	1.8 dBic	9.6 dBic	11.6 dBic	11.7 dBic	13.5 dBic	15.8 dBic	15.4 dBic	14.5 dBic	12.6 dBic
RADIATION PATTERN:	DIRECTIONAL								
POLARIZATION:	RHCP								
VSWR:	2.0:1								
IMPEDANCE:	50 ohms								

MECHANICAL:

SIZE: TOP DIA: = 1.65in [41.9 mm], BASE DIA = 3.50 in [88.90 mm]
HEIGHT = 28.36in [720.3mm]

WEIGHT: 45 oz. (1.27 kg)

FINISH: SKYDROL RESISTANT POLYURETHANE ENAMEL
BASE IRIDITE PER MIL-C-5541F TYPE II CLASS 1A

COLOR: GLOSS WHITE #17925 PER FED-STD-595B
LUSTERLESS GRAY #36320 PER FED-STD-595B
OLIVE DRAB GREEN #34031 PER FED-STD-595B
LUSTERLESS BLACK #37038 PER FED-STD-595B

MATERIAL: 6061-T6 ALUMINUM ALLOY BASE
COMPOSITE RADOME, IMPACT, ABRASION, UV, SOLVENT, AND SKYDROL RESISTANCE, FIRE RETARDANT

CONNECTOR: TNC FEMALE (OPTION: SMA, N, BNC)

ENVIRONMENTAL:

TEMPERATURE: -67 °F TO +185 °F [-55 °C TO +85 °C]
ALTITUDE: 70,000 ft.
VIBRATION: > 30 G's

LEAKAGE: HERMETICALLY SEALED

FEDERAL & MILITARY SPECIFICATIONS:

DESIGN TO: FAA TSO-C144, DO-160D, D0-228, MIL-C-5541F, MIL-E-5400, MIL-I-45208A, MIL-STD-810, AND SAE J1455

4x 10-32 UNF .135 Deep

1.250 [31.75] SQ.

1.630 [41.41] SQ.

1.900 [48.25] SQ.

2.687 [68.24] SQ.

4x 4-40 UNG .250in Deep

8x 6-32 UNG .250in Deep

TNC FEMALE CONNECTOR

Ø6.440 [Ø163.58]

Ø3.500 [Ø88.90]

FREQUENCY (GHz):	POLARIZATION:	LNA:	CABLE'S LENGTH:	CONNECTOR:	COLOR:
2223: 2.2 - 2.3	LL: TX: LHCP, RX: LHCP	A: WITH +34 dB LNA	X: NO CABLE	S: SMA; P: PINS	1: GLOSS WHITE #17925 PER FED-STD-595B
2025: 2.0 - 2.5	LR: TX: LHCP, RX: RHCP	P: WITHOUT LNA	M: WITH MAG. MOUNT	M: MCX; MM: MMCX	2: LUSTERLESS GRAY #36320 PER FED-STD-595B
2425: 2.4 - 2.5	RL: TX: RHCP, RX: LHCP		#: CABLE LENGTH (IN)	N: N; NB: N-Bulkhead	3: OLIVE DRAB GREEN #34031 PER FED-STD-595B
	RR: TX: RHCP, RX: RHCP		R: RIGHT ANGLE CON.	T: TNC; TB: TNC-Bulkhead	4: LUSTERLESS BLACK #37038 PER FED-STD-595B
	R: RHCP				
	L: LHCP				

XXYY: (X.X - Y.Y) GHz

QUANTITY REQD	DESCRIPTION	PART NO	REV
4	MOUNTING SCREW: (10-32 Pan Head Phillips, 1/4")	MS51958-59	1

UNLESS OTHERWISE SPECIFIED DIMENSIONS ARE IN INCHES	ANTCOM CORP.
FRACTIONS: DECIMALS: ANGLES: ± 1/64 ± .015 ± 1°	3CVE1
TOLERANCE 5/16 PER ANSI Y14.5	28x1.6H2223R-P-XT-1
REMOVE ALL BURRS	SCALE 1/1
BREAK EXTERNAL EDGES .005 TO .010	SHEET 1 OF 1
FILLET R .010	
SCREW THREADS PER MIL-S-8879	
DAYS ON A COMMON 1/2" DIA	
MACHINED SURFACES	
DO NOT SCALE DRAWING	

P/N: 28x1.6H2223R-P-XT-1

NMO Connector Option is Now Available for Some Antennas