



# High Gain S-Band Helix Antenna

P/N: 28x1.6H2223R-P-XT-1 (2.2-2.3 GHz, TNC, White), P/N: 28x1.6H2425R-P-XT-1 (2.4-2.5 GHz, TNC, White)  
 P/N: 28x1.6H2025R-P-XT-1 (2.0-2.5 GHz, TNC, White), P/N: 28x1.6H1625R-P-XT-1 (1.6-2.5 GHz, TNC, White)

Other Frequencies, LNAs, Polarizations, Connectors and Colors are Available



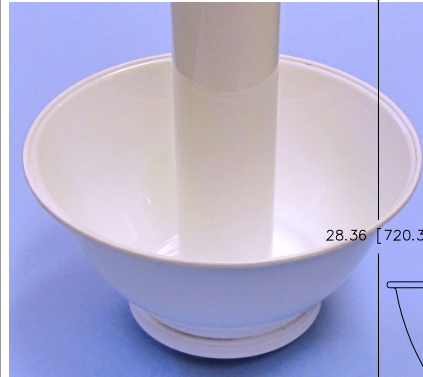

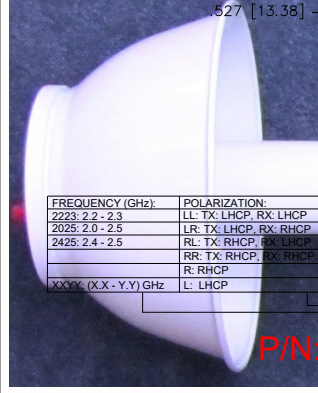
ISO 9001:2008/FAA Approved Facility Antenna Mounts/Adapters: <http://www.antcom.com/documents/catalogs/PeripheralAntennaProducts2.pdf>

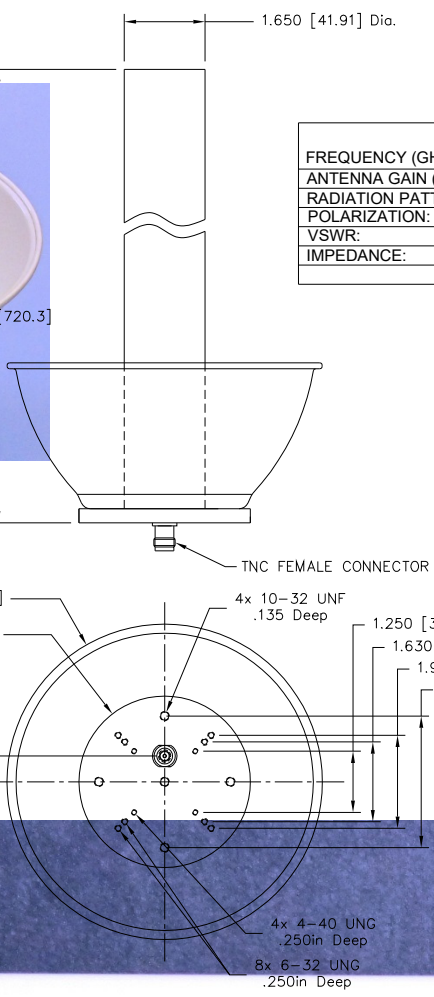
ANTCOM CORPORATION . 367 Van Ness Way, Suite 602 . Torrance, CA 90501, USA . Tel: (310) 782-1076 . Fax: (310) 782-1086 . E-mail: [antennas@antcom.com](mailto:antennas@antcom.com) . <http://www.antcom.com>

**NOTICE OF PROPRIETARY RIGHTS**  
 THIS DRAWING CONTAINS CONFIDENTIAL, TECHNICAL DATA INCLUDING TRADE SECRETS PROPRIETARY TO ANTCOM CORP. DISCLOSURE OF THIS DATA TO YOU IS EXPRESSLY CONDITIONED UPON YOUR AGREEMENT THAT ITS USE IS LIMITED TO USE WITHIN YOUR COMPANY ONLY (AND DOES NOT INCLUDE MANUFACTURE OR PROCESSING) AND ANY OTHER USE IS EXPRESSLY PROHIBITED WITHOUT PRIOR WRITTEN CONSENT OF ANTCOM CORP.

**SPECIFICATIONS**

ZONE	REV	REVISIONS		
		DESCRIPTION	DATE	APPROVED



1.650 [41.91] Dia.

28.36 [720.3]

4x 10-32 UNF  
.135 Deep

1.250 [31.75] SQ.

1.630 [41.41] SQ.

1.900 [48.25] SQ.

2.687 [68.24] SQ.

4x 4-40 UNG  
.250in Deep

8x 6-32 UNG  
.250in Deep

TNC FEMALE CONNECTOR

**ELECTRICAL:**

FREQUENCY (GHz):	1.6 GHz	1.7 GHz	1.8 GHz	1.9 GHz	2.0 GHz	2.1 GHz	S-BAND (2.20-2.30)	2.4 GHz	2.5 GHz
ANTENNA GAIN (dBic):	1.8 dBic	9.6 dBic	11.6 dBic	11.7 dBic	13.5 dBic	15.8 dBic	15.4 dBic	14.5 dBic	12.6 dBic
RADIATION PATTERN:	DIRECTIONAL								
POLARIZATION:	RHCP								
VSWR:	2.0:1								
IMPEDANCE:	50 ohms								

**MECHANICAL:**

SIZE: TOP DIA = 1.65in [41.9 mm], BASE DIA = 3.50 in[ 88.90 mm]  
 HEIGHT = 28.36in [720.3mm]

WEIGHT: 45 oz. (1.27 kg)

FINISH: SKYDROL RESISTANT POLYURETHANE ENAMEL  
 BASE IRIDITE PER MIL-C-5541F TYPE II CLASS 1A

COLOR: GLOSS WHITE #17925 PER FED-STD-595B  
 LUSTERLESS GRAY #36320 PER FED-STD-595B  
 OLIVE DRAB GREEN #34031 PER FED-STD-595B  
 LUSTERLESS BLACK #37038 PER FED-STD-595B

MATERIAL: 6061-T6 ALUMINUM ALLOY BASE  
 COMPOSITE RADOME, IMPACT, ABRASION, UV, SOLVENT,  
 AND SKYDROL RESISTANCE, FIRE RETARDANT

CONNECTOR: TNC FEMALE  
 (OPTION: SMA, N, BNC)

**ENVIRONMENTAL:**

TEMPERATURE: -67 °F TO +185 °F [-55 °C TO +85 °C]  
 ALTITUDE: 70,000 ft.  
 VIBRATION: > 30 G's

LEAKAGE: HERMETICALLY SEALED

**FEDERAL & MILITARY SPECIFICATIONS:**

DESIGN TO: FAA TSO-C144, DO-160D, D0-228, MIL-C-5541F,  
 MIL-E-5400, MIL-I-45208A, MIL-STD-810, AND SAE J1455

QUANTITY REQD	DESCRIPTION	PARTS LIST	PART NO	REV
4	MOUNTING SCREW: (10-32 Pan Head Phillips, 1/4")		MS51958-59	2
-1	DESCRIPTION			1

UNLESS OTHERWISE SPECIFIED DIMENSIONS ARE IN INCHES		TOLERANCES UNLESS OTHERWISE SPECIFIED	
FRACTIONS	DECIMALS	ANGLES	PLACES
± 1/64	± .015	± .1°	± .005
TOLERANCE SURF PER ANSI Y14.5			
REMOVE ALL BURRS			
BREAK ALL SHARP EDGES .005 TO .010			
FILLER & SOLDER IS OK			
SCREEN PROTECT PER MIL-C-8879			
DIMS ON A COMMON & 2P/050			
MACHINED SURFACES 125°			
DO NOT SCALE DRAWING			

ANTCOM CORP. TORRANCE, CALIFORNIA	
HIGH GAIN S-BAND HELIX ANTENNA	ORIGINAL DRAWN: S. HUYNH DEC-07-09 ORIGINAL DESIGNED: S. HUYNH DEC-07-09 S. HUYNH JULY-01-13 LAYOUT: P. TRAN JULY-01-13 APPROVED: S. HUYNH JULY-01-13
Dwg No: 3CVE1 Scale: 1/1	Part No: 28x1.6H2223R-P-XT-1 Rev: A Sheet: 1 OF 1

**P/N: 28x1.6H2223R-P-XT-1**