



# Conductive Mounting Gasket, P/N: 2252718-2 Rev B (Item 547a) for 3G, and S3 Antenna Series



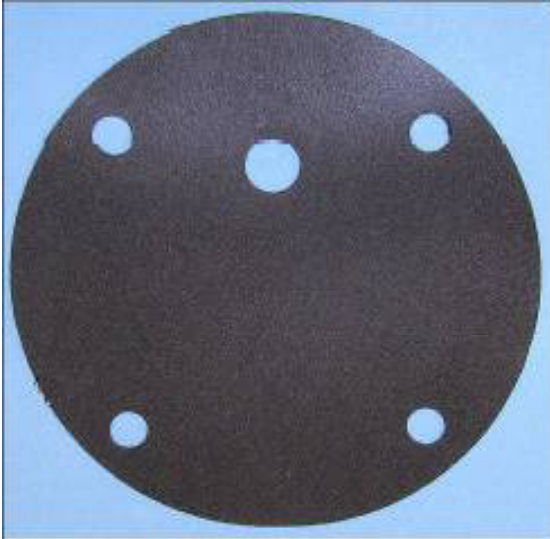
Stainless Steel: DFARS 252-225-7014/316 Passivated; Chem. Film (MIL-C-5541F, Class 1A); Anodizing (MIL-A-8625F, Type II Class II)

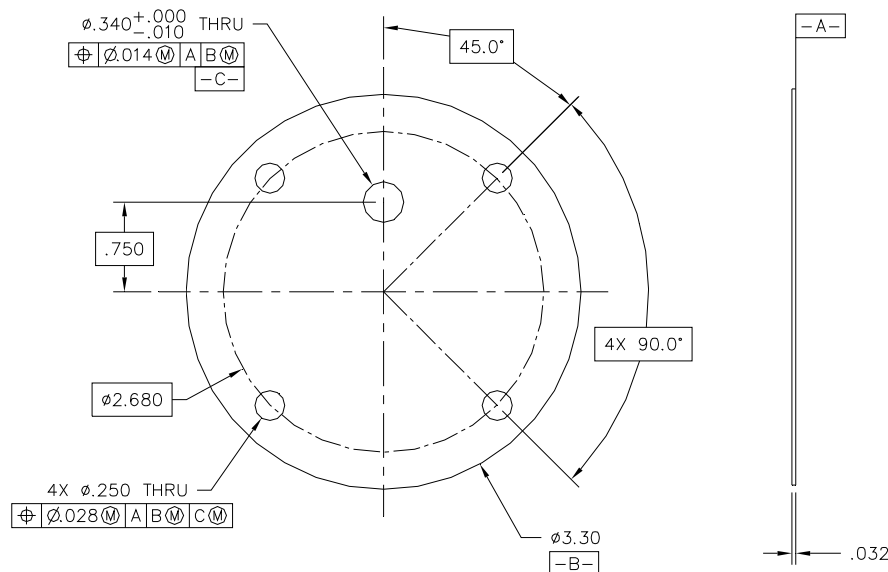
ANTCOM CORPORATION . 367 Van Ness Way, Suite 602 . Torrance, CA 90501 . Tel: (310) 782-1076 . Fax: (310) 782-1086 . E-mail: antennas@antcom.com . http://www.antcom.com

3
2
1

**NOTICE OF PROPRIETARY RIGHTS**  
THIS DOCUMENT CONTAINS CONFIDENTIAL TECHNICAL DATA INCLUDING TRADE SECRETS PROPRIETARY TO ANTCOM, CORP. DISCLOSURE OF THIS DATA TO YOU IS EXPRESSLY CONDITIONED UPON YOUR ASSENT THAT ITS USE IS LIMITED TO USE WITHIN YOUR COMPANY ONLY (AND DOES NOT INCLUDE MANUFACTURE OR PROCESSING USES). ANY OTHER USE IS STRICTLY PROHIBITED WITHOUT PRIOR WRITTEN CONSENT OF ANTCOM, CORP.

REVISIONS				
ZONE	REV	DESCRIPTION	DATE	APPROVED
A		Old P/N: 3G15P1001-3		
B		ADDED RAYTHEON TOLERANCES	09/10/12	S.H





**Material: Ja-Bar 802-0117**

1. MATERIAL:  
CONDUCTIVE ELAS  
NICKEL-COATED G  
THICKNESS: .032  
SHORE A HARDNES

CHO-SEAL  
S6304  
PARKER HANNIFIN  
CHOMERICS DIVIS  
CAGE CODE 18565  
WOBURN, MA 0180

JA-BAR  
802-0117

1	GASKET	2252718-2	CHO-SEAL S6304	JA-BAR 802-0117	1
QTY REQD	DESCRIPTION	PART NO	MATERIAL		ITEM NO

UNLESS OTHERWISE SPECIFIED DIMENSIONS ARE IN INCHES		ORIGINALLY DRAWN	S. HUYNH Jan-29-01
FRACTIONS	DECIMALS	ORIGINALLY DESIGNED	S. HUYNH Jan-29-01
± 1/64	.xxx±.010	UPDATED	S. Huynh Sept-10-12
TOLERANCE SYM PER ANSI Y14.5		UPDATE DRAWN	Phi Tron Sept-10-12
REMOVE ALL BURRS BREAK EXTERNAL EDGES .005 TO .015 FILLETS R .005 TO R .030 SCREW THREADS PER MIL-S-8879 DIA'S ON A COMMON & 2# .005		APPROVED	S. HUYNH Sept-10-12
MACHINED SURFACES 125/			

<b>ANTCOM CORP.</b> TORRANCE CALIFORNIA	
3G CONDUCTIVE GASKET (Old P/N: 3G15P1001-3-2G/3G)	
SIZE B	CAGE NO
DRAWING NO 2252718-2	
SCALE 1/1	REV B
SHEET 1 OF 1	

DO NOT SCALE DRAWING

ORIGINAL DOCUMENT WHEN STAMP IS RED

3
2
1