

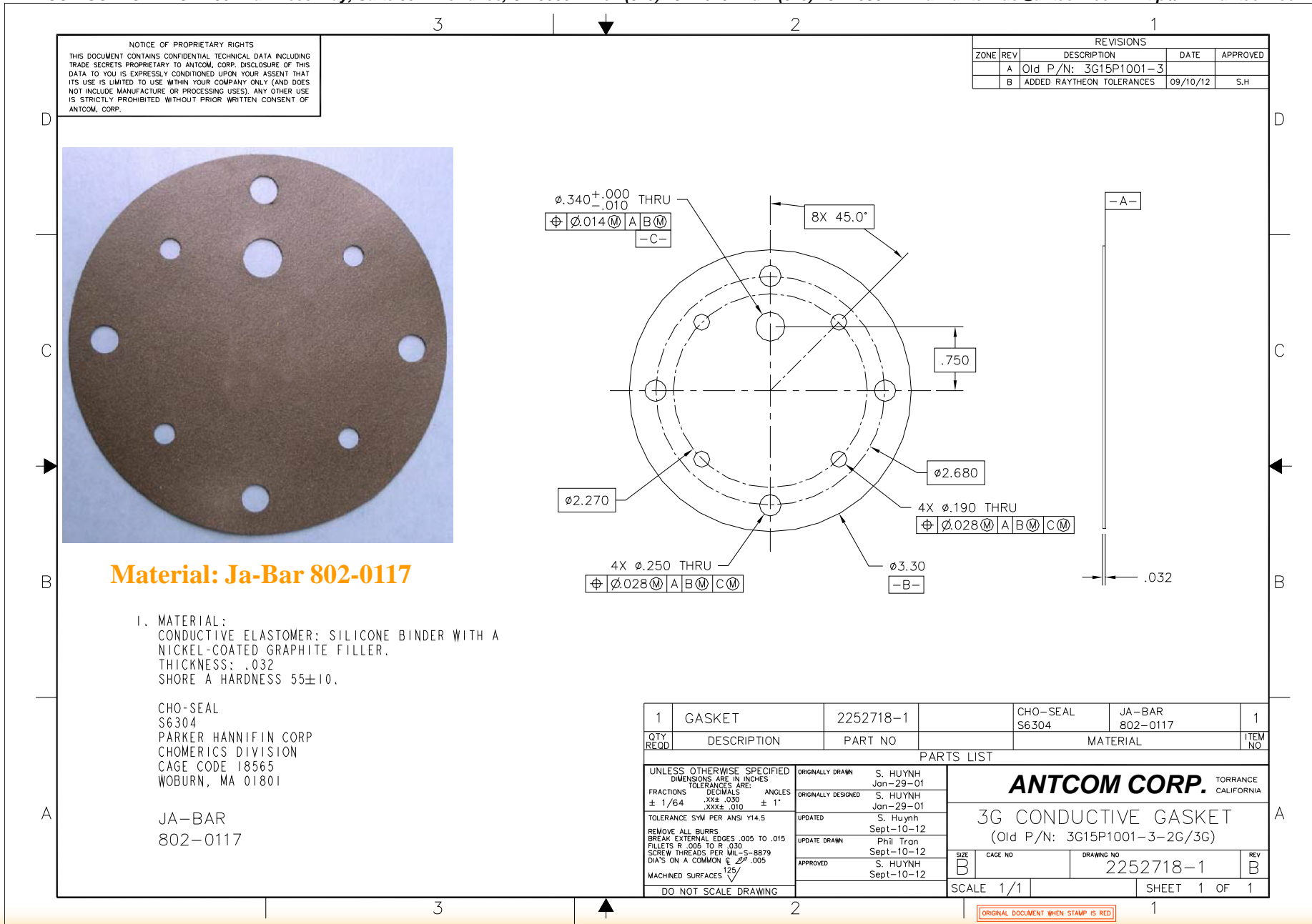


Conductive Mounting Gasket, P/N: 2252718-1 Rev B (Item 547) For 3G, and S3 Antenna Series



Stainless Steel: DFARS 252-225-7014/316 Passivated; Chem. Film (MIL-C-5541F, Class 1A); Anodizing (MIL-A-8625F, Type II Class II)

ANTCOM CORPORATION . 367 Van Ness Way, Suite 602 . Torrance, CA 90501 . Tel: (310) 782-1076 . Fax: (310) 782-1086 . E-mail: antennas@antcom.com . http://www.antcom.com



NOTICE OF PROPRIETARY RIGHTS
THIS DOCUMENT CONTAINS CONFIDENTIAL TECHNICAL DATA INCLUDING TRADE SECRETS PROPRIETARY TO ANTCOM, CORP. DISCLOSURE OF THIS DATA TO YOU IS EXPRESSLY CONDITIONED UPON YOUR ASSENT THAT ITS USE IS LIMITED TO USE WITHIN YOUR COMPANY ONLY (AND DOES NOT INCLUDE MANUFACTURE OR PROCESSING USES). ANY OTHER USE IS STRICTLY PROHIBITED WITHOUT PRIOR WRITTEN CONSENT OF ANTCOM, CORP.

REVISIONS				
ZONE	REV	DESCRIPTION	DATE	APPROVED
	A	Old P/N: 3G15P1001-3		
	B	ADDED RAYTHEON TOLERANCES	09/10/12	S.H

Material: Ja-Bar 802-0117

1. MATERIAL:
CONDUCTIVE ELASTOMER: SILICONE BINDER WITH A NICKEL-COATED GRAPHITE FILLER.
THICKNESS: .032
SHORE A HARDNESS 55±10.

CHO-SEAL
S6304
PARKER HANNIFIN CORP
CHOMERICS DIVISION
CAGE CODE 18565
WOBURN, MA 01801

JA-BAR
802-0117

QTY REQD	DESCRIPTION	PART NO	MATERIAL		ITEM NO
1	GASKET	2252718-1	CHO-SEAL S6304	JA-BAR 802-0117	1

UNLESS OTHERWISE SPECIFIED DIMENSIONS ARE IN INCHES		ORIGINALLY DRAWN	ANTCOM CORP. TORRANCE CALIFORNIA	
FRACTIONS	DECIMALS	S. HUYNH	3G CONDUCTIVE GASKET (Old P/N: 3G15P1001-3-2G/3G)	
± 1/64	.XXXX .010 ± 1"	Jan-29-01		
TOLERANCE SYM PER ANSI Y14.5		ORIGINALLY DESIGNED	DRAWING NO	
REMOVE ALL BURRS		S. HUYNH	2252718-1	
BREAK EXTERNAL EDGES .005 TO .015		Jan-29-01	REV	
FILLET R .005 TO R .030		Updated	B	
SCREW THREADS PER MIL-S-8879		S. HUYNH	SCALE 1/1	
DIA'S ON A COMMON & 2 nd .005		Sept-10-12	SHEET 1 OF 1	
MACHINED SURFACES 125 ^μ		PHI TRON		
DO NOT SCALE DRAWING		Sept-10-12		