



UHF/L/S-Band Antenna for Deep Sea Applications, *Depth Rate = 10 Km (14555 PSI)*

P/N: 201.0-0820V-66CPA2155-UU-JHU (800 – 2000 MHz)

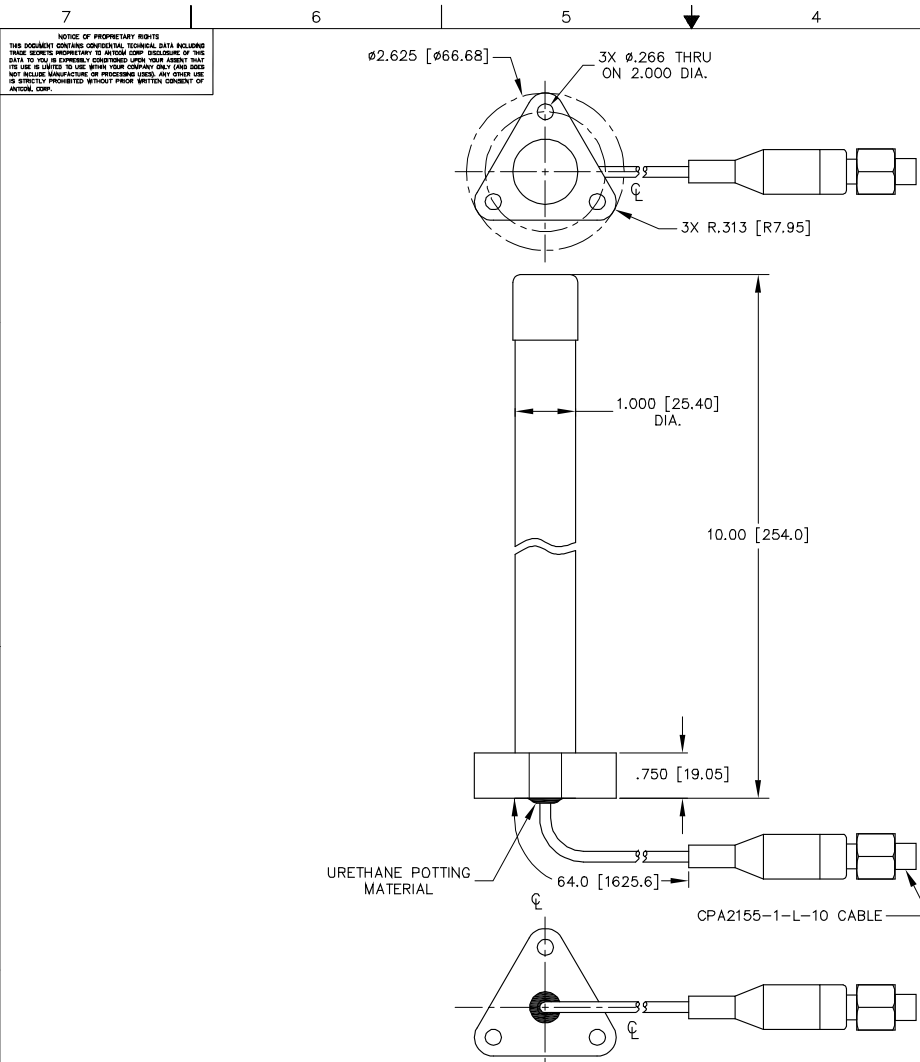
P/N: 201.0-0727V-66CPA2155-UU-JHU (700 – 2700 MHz)

66" Cable with CPA2155 Connector, Other Frequencies, Connector and Cable Length are Available.

ISO 9001:2008/FAA Approved Facility Antenna Mounts/Adapters: <http://www.antcom.com/documents/catalogs/PeripheralAntennaProducts2.pdf>



ANTCOM CORPORATION . 367 Van Ness Way, Suite 602 . Torrance, CA 90501, USA . Tel: (310) 782-1076 . Fax: (310) 782-1086 . E-mail: antennas@antcom.com . <http://www.antcom.com>



SPECIFICATIONS

REVISIONS				
ZONE	REV	DESCRIPTION	DATE	APPROVED

ELECTRICAL:

FREQUENCY (MHz):	(100-200) or (300-500) or (800-2000) MHz
PATTERN:	OMNIDIRECTIONAL
POLARIZATION:	VERTICAL
ANTENNA GAIN:	> 0 dB
VSWR:	2.0:1
OUTPUT IMPEDANCE:	50 Ω
POWER HANDLING:	>50 watts (Without LNA)
LNA OPTION:	GAIN: 20 dB, NF: 4.1 dB, OP1dB: +18dB, OIP3: +33dB DC: (5 to 24) Volt @ <70mA

MECHANICAL:

SIZE:	BASE DIAMETER = 2.625 in. [66.68 mm], HEIGHT = 10.00 in [254.0 mm]
WEIGHT:	15.5 oz. (439 g)
MATERIAL:	6061-T6 ALUMINUM ALLOY BASE COMPOSITE RADOME IMPACT, ABRASION, UV, SOLVENT, AND SKYDROL RESISTANCE, FIRE RETARDANT
FINISH:	TEFLON COATED
CONNECTOR:	CPA2155-1-L-10 CABLE (OPTION: SMA, TNC, N or BNC)

ENVIRONMENTAL:

TEMPERATURE:	-67 °F TO +185 °F [-55 °C TO +85 °C]
ALTITUDE:	70,000 ft.
VIBRATION:	> 30 G's
LEAKAGE:	HERMETICALLY SEAL

FEDERAL & MILITARY SPECIFICATIONS:

DESIGN TO: FAA TSO-C144, DO-160D, D0-228, MIL-C-5541, MIL-E-5400, MIL-I-45208A, MIL-STD-810, AND SAE J1455

ACCEPTANCE TEST PROCEDURE: ATP-GPS-L1L2-100

FREQUENCY (GHz)	POLARIZATION:	CONNECTOR:	COLOR:
0105: (100-500) MHz	V: VERTICAL	S: SMA; P: PINS	-1: GLOSS WHITE #17925 PER FED-STD-595B
2.45: 2450 MHz	L: LHCP	M: MCX; MM; MMCX	-2: LUSTERLESS GRAY #36320 PER FED-STD-595B
0305: (300-500) MHz	R: RHCP	N: N; NB: N-Bulkhead	-3: OLIVE DRAB GREEN #34031 PER FED-STD-595B
0820: (800-2000) MHz		T: TNC; TB: TNC-Bulkhead	-4: LUSTERLESS BLACK #37038 PER FED-STD-595B
		CPA2X: CPA2155	-5: TAN #33446 PER FED-STD-595B
XXYY: (X.XX-Y.YY) MHz		DGX: DGO	UU: Gray Color Teflon Coating

P/N: 201.0-0105V-66CPA2155-UU-JHU

1	1	1	1	1
1	1	1	1	1
-1	DESCRIPTION	PART NO	MATERIAL	ITEM
QUANTITY REQD	PARTS LIST			
UNLESS OTHERWISE SPECIFIED DIMENSIONS ARE IN INCHES DECIMALS AND ANGLES SHALL BE TO ± 1/64 ± 1'	ORIGINALLY DRAWN S. HUYNH Sept-30-14	ANTCOM CORP. TORRANCE CALIFORNIA		
TOLERANCE 5/16 PER ANSI Y14.5	ORIGINALLY DESIGNED S. HUYNH Sept-30-14	(100-200) or (300-500) MHz		
REWORK ALL DIMENSIONS BREAK EXTERNAL EDGES TO 0.015 RADIUS TO 0.015 RADIUS	UPDATED S. HUYNH July-16-16	or (800-2000) MHz		
SCALE 1/8" = 1" UNLESS OTHERWISE SPECIFIED	UPDATE DRAWN P. TRAM July-16-16	OMNI ANTENNA		
MACHINED SURFACES TO DO NOT SCALE DRAWING	APPROVED S. HUYNH July-16-16	DATE TIME IN	REVISION	REV
		D 3CVE1	201.0-0105V-66CPA2155-UU-JHU	—
		SCALE 1/1		SHEET 1 OF 1