



UHF/L/S-Band Antenna for Deep Sea Applications, *Depth Rate = 10 Km (1455 PSI)*

P/N: 201.0-0102V-66CPA2155-UU-JHU (100 – 200 MHz) ; P/N: 201.0-0105V-66CPA2155-UU-JHU (100 – 500 MHz)

P/N: 201.0-0820V-66CPA2155-UU-JHU (800 – 2000 MHz) ; P/N: 201.0-0727V-66CPA2155-UU-JHU (700 – 2700 MHz)

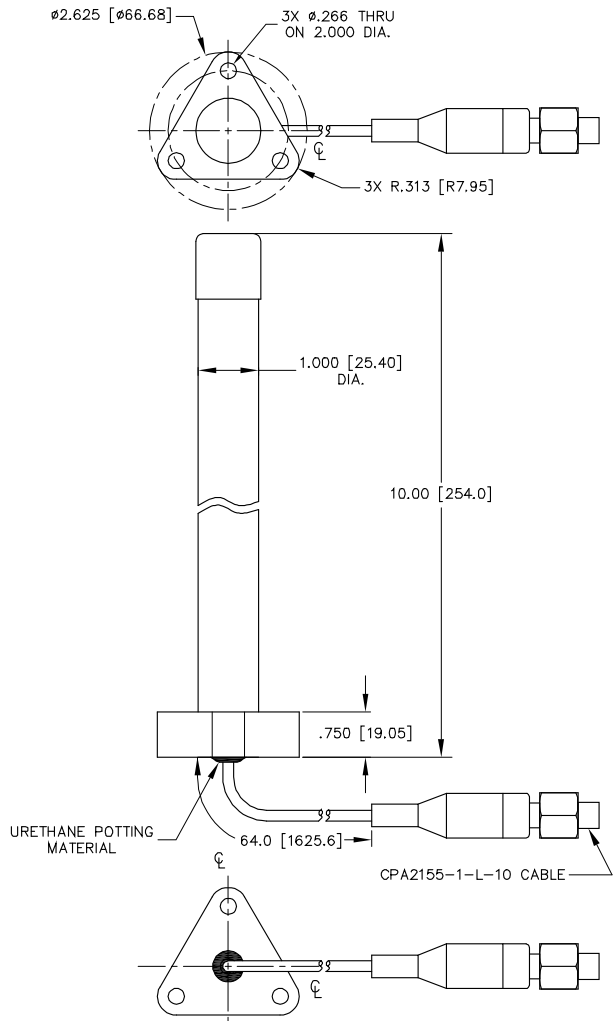
66” Cable with CPA2155 Connector, Other Frequencies, Connector and Cable Length are Available.

ISO 9001:2008/FAA Approved Facility Antenna Mounts/Adapters: <http://www.antcom.com/documents/catalogs/PeripheralAntennaProducts2.pdf>



ANTCOM CORPORATION . 367 Van Ness Way, Suite 602 . Torrance, CA 90501, USA . Tel: (310) 782-1076 . Fax: (310) 782-1086 . E-mail: antennas@antcom.com . <http://www.antcom.com>

NOTICE OF PROPRIETARY RIGHTS
THIS DOCUMENT CONTAINS CONFIDENTIAL, TECHNICAL DATA INCLUDING TRADE SECRETS PROPRIETARY TO ANTCOM CORP. DISCLOSURE OF THIS DATA TO YOU IS EXPRESSLY FORWARDED UPON YOUR AGENCY THAT THE USE IS LIMITED TO USE WITHIN YOUR COMPANY ONLY AND DOES NOT INCLUDE MANUFACTURE OR PRODUCTION. ANY OTHER USE IS EXPRESSLY PROHIBITED WITHOUT WRITTEN CONSENT OF ANTCOM CORP.



SPECIFICATIONS

REVISIONS				
ZONE	REV	DESCRIPTION	DATE	APPROVED

ELECTRICAL:

FREQUENCY (MHz):	(100-200) or (300-500) or (800-2000) MHz
PATTERN:	OMNIDIRECTIONAL
POLARIZATION:	VERTICAL
ANTENNA GAIN:	> 0 dB
VSWR:	2.0:1
OUTPUT IMPEDANCE:	50 Ω
POWER HANDLING:	>50 watts (Without LNA)
LNA OPTION:	GAIN: 20 dB, NF: 4.1 dB, OP1dB: +18dB, OIP3: +33dB DC: (5 to 24) Volt @ <70mA

MECHANICAL:

SIZE:	BASE DIAMETER = 2.625 in. [66.68 mm], HEIGHT = 10.00 in [254.0 mm]
WEIGHT:	15.5 oz. (439 g)
MATERIAL:	6061-T6 ALUMINUM ALLOY BASE COMPOSITE RADOME IMPACT, ABRASION, UV, SOLVENT, AND SKYDROL RESISTANCE, FIRE RETARDANT
FINISH:	TEFLON COATED
CONNECTOR:	CPA2155-1-L-10 CABLE (OPTION: SMA, TNC, N or BNC)

ENVIRONMENTAL:

TEMPERATURE:	-67 °F TO +185 °F [-55 °C TO +85 °C]
ALTITUDE:	70,000 ft.
VIBRATION:	> 30 G's
LEAKAGE:	HERMETICALLY SEAL

FEDERAL & MILITARY SPECIFICATIONS:

DESIGN TO:	FAA TSO-C144, DO-160D, D0-228, MIL-C-5541, MIL-E-5400, MIL-I-45208A, MIL-STD-810, AND SAE J1455
------------	--

ACCEPTANCE TEST PROCEDURE: ATP-GPS-L1L2-100

FREQUENCY (GHz)	POLARIZATION:	CONNECTOR:	COLOR:
0105: (100-500) MHz	V: VERTICAL	S: SMA; P: PINS	-1: GLOSS WHITE #17925 PER FED-STD-595B
2.45: 2450 MHz	L: LHCP	M: MCX; MM; MMCX	-2: LUSTERLESS GRAY #36320 PER FED-STD-595B
0305: (300-500) MHz	R: RHCP	N: N; NB: N-Bulkhead	-3: OLIVE DRAB GREEN #34031 PER FED-STD-595B
0820: (800-2000) MHz		T: TNC; TB: TNC-Bulkhead	-4: LUSTERLESS BLACK #37038 PER FED-STD-595B
XXYY: (X.XX-Y.YY) MHz		CPA2X: CPA2155	-5: TAN #33446 PER FED-STD-595B
		DGOX: DGO	UU: Gray Color Teflon Coating

P/N: 201.0-0105V-66CPA2155-UU-JHU

1	1	1	1	1
1	1	1	1	1
-1	DESCRIPTION	PART NO	MATERIAL	ITEM
QUANTITY REQD	PARTS LIST			
UNLESS OTHERWISE SPECIFIED DIMENSIONS ARE IN INCHES DECIMALS AND ANGLES SHALL BE TO ± 1/64 ± 1°	ORIGINALLY DRAWN S. HUYNH Sept-30-14	ANTCOM CORP. TORRANCE CALIFORNIA		
TOLERANCE 5/16 PER ANSI Y14.5	ORIGINALLY DESIGNED S. HUYNH Sept-30-14	(100-200) or (300-500) MHz		
RELIEF ALL SHARP BREAK EXTERNAL EDGES TO 0.015	UPDATED S. HUYNH July-16-16	or (800-2000) MHz		
FILED IN CASE TO E-300 SCALE 1/8 PER MIL-C-8879	UPDATE DRAWN P. TRAIN July-16-16	OMNI ANTENNA		
DAYS ON A COMMON E-3000	APPROVED S. HUYNH July-16-16	DATE TIME IN	DRAWING	REV
MACHINED SURFACES 1/2	DO NOT SCALE DRAWING	D 3CVE1	201.0-0105V-66CPA2155-UU-JHU	—
		SCALE 1/1	SHEET 1 OF 1	