

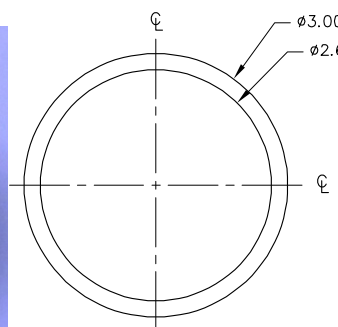
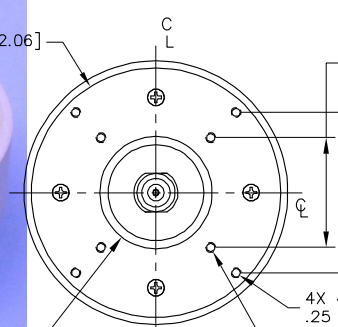


ANTCOM CORPORATION . 367 Van Ness Way, Suite 602 . Torrance, CA 90501 . Tel: (310) 782-1076 . Fax: (310) 782-1086 . E-mail: antennas@antcom.com . http://www.antcom.com

**NOTICE OF PROPRIETARY RIGHTS**  
THIS DOCUMENT CONTAINS CONFIDENTIAL, TECHNICAL DATA INCLUDING TRADE SECRETS PROPRIETARY TO ANTCOM CORP. REUSE OF THE DATA IS STRICTLY PROHIBITED WITHOUT WRITTEN CONSENT OF ANTCOM CORP.

**Dimensions:**  
 Top View:  $\phi 3.000$  [ $\phi 76.20$ ],  $\phi 2.630$  [ $\phi 66.80$ ]  
 Side View: R6.000 [R152.40], 1.200 [30.47], .215 [5.46], .571 [14.50]  
 Bottom View:  $\phi 2.837$  [ $\phi 72.06$ ], 1.250 [31.75] SQ., 1.826 [46.39]  
 Connector: 4X 4-40 UNC .25 Deep On 2.583 [65.60mm] Dia., 4X 4-40 UNC .250 Deep

**Phase Centers:**  
 X, Y Phase Center = 0.0 (Center of Antenna)  
 Z Phase Center = .801 [20.34]

**O-RING**  
P/N: MS28775-024

**TNC FEMALE CONNECTOR (OPTION: TNC-B, SMA, BNC, N/N-Bulkhead, MCX, MMCX QMA)**

**SPECIFICATIONS**

ZONE	REVISIONS			
	REV	DESCRIPTION	DATE	APPROVED

**ELECTRICAL:**

	L1 GPS E1, E2 Galileo L1 IRNSS	L1 GLONASS
FREQUENCY:	1575.42 ± 15.0 MHz 1575.42 ± 17.0 MHz 1575.42 ± 12.0 MHz	(1598 -1606) MHz
RADIATION PATTERN:	HEMISPHERICAL	
POLARIZATION:	RHCP	
VSWR:	< 2.0:1	< 2.0:1
IMPEDANCE:	50 ohms	
ANTENNA GAIN (dBi):	Free Space 5in G.P	Free Space 5in G.P
@ 90° (ZENITH):	+ 4.1	+ 2.0
@ 10° Elevation:	- 2.8	- 5.1
@ 20° Elevation:	- 1.9	- 4.1
@ 30° Elevation:	- 0.4	- 2.6
@ 60 - 90° Elevation:	> 2.9	> + 0.8
BEAM WIDTH (3dB):	95 Deg.	100 Deg.
AXIAL RATIO:	1 dB	2 dB
LIGHTNING PROTECTION:	INPUT: DC GROUNDING; OUTPUT: EN61000-4-5 Level 4	
LNA GAIN:	34 dB	34 dB
LNA NOISE FIGURE:	3.2 dB	4 dB
LNA P1dB Out:	+13 dBm	+13 dBm
LNA DC POWER:	2.5V/20mA, 3V/29mA, 3.3V/35mA, (2.5-24V)/<50mA	
POWER HANDLING:	3 Watt CW, +50dBm Microsec Pulse Input	

**MECHANICAL:**

SIZE: DIAMETER: 3.0 in. [76.2 mm]  
 HEIGHT: 1.20 in. [30.5 mm]

WEIGHT: 7.8 oz. (221 g)

FINISH: SKYDROL RESISTANT POLYURETHANE ENAMEL  
 BASE IRIDITE PER MIL-C-5541F Class 1A

MATERIAL: 6061-T6 ALUMINUM ALLOY BASE  
 COMPOSITE RADOME, IMPACT, ABRASION, UV, SOLVENT, SKYDROL RESISTANCE, AND FIRE RETARDANT

CONNECTOR: TNC FEMALE CONNECTOR  
 (OPTION: SMA, BNC, N, N Bulkhead, MCX, MMCX)

**ENVIRONMENTAL:**

TEMPERATURE: -67 °F TO +185 °F [-55 °C TO +85 °C]  
 70,000 ft.

VIBRATION: > 30 G's  
 HERMETICALLY SEAL

**FEDERAL & MILITARY SPECIFICATIONS:**

FAA TSO-C144, DO-160D, D0-228, MIL-C-5541, MIL-E-5400, MIL-I-45208A, MIL-STD-810, AND SAE J1455

**ACCEPTANCE TEST PROCEDURE:** ATP-GPS-L1L2-100

QUANTITY REQD	DESCRIPTION	PARTS LIST	PART NO	FINISH	ITEM NO
1					3
1					2
1	O-RING, (94115K024) Item 553		MS28775-024		1

**ANTCOM CORP.** TORRANCE, CALIFORNIA

2.83in Dia.  
L1 Glonass + L1 GPS  
Antenna

SCALE 1/1 SHEET 1 OF 1

UNLESS OTHERWISE SPECIFIED TOLERANCES ARE: FRACTIONS: DECIMALS: ANGLES: ± 1/64 .0015 ± .0015 ± 1°

ORIGINAL DRAWN: S. HUYNH Mar-19-09  
 ORIGINAL DESIGNED: S. HUYNH Mar-19-09  
 UPDATED: S. HUYNH Dec-06-13  
 P. TRAN Dec-06-13  
 APPROVED: S. HUYNH Dec-06-13

DO NOT SCALE DRAWING

SIZE:	LNA:	CABLE'S LENGTH:	CONNECTOR:	COLOR:
1: 2" SQ.	A: WITH LNA	X: NO CABLE	S: SMA; B: BNC	-1: GLOSS WHITE #17925 PER FED-STD-595B
1.5: 1.9" DIA.	P: WITHOUT LNA		M: MCX; MM: MMCX	-2: LUSTERLESS GRAY #36320 PER FED-STD-595B
2: 2.6" DIA.			N: N; NN: N-Bulkhead	-3: OLIVE DRAB GREEN #34094 PER FED-STD-595B
2.5: 2.9" DIA.			T: TNC; TB: TNC-Bulkhead	-4: LUSTERLESS BLACK #37038 PER FED-STD-595B
3: 3.5" DIA.			O: OMA	-5: TAN #: FS 23446 or 33446, FED-STD-595
4: MINI ARINC				

**P/N: 2.8G16AF-XTC-1**

NMO Connector Option is Now Available for Some Antennas