
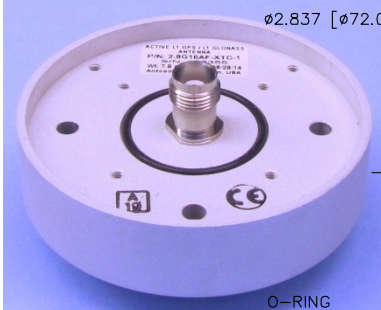
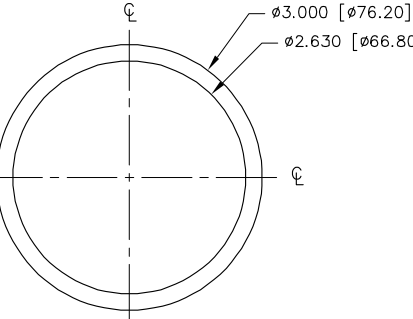
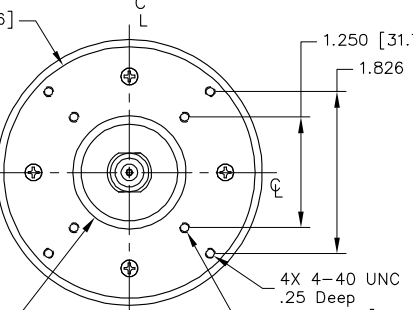


ANTCOM CORPORATION . 367 Van Ness Way, Suite 602 . Torrance, CA 90501 . Tel: (310) 782-1076 . Fax: (310) 782-1086 . E-mail: antennas@antcom.com . http://www.antcom.com

NOTICE OF PROPRIETARY RIGHTS
 THIS DOCUMENT CONTAINS CONFIDENTIAL TECHNICAL DATA INCLUDING TRADE SECRETS PROPRIETARY TO ANTCOM CORP. DISCLOSURE OF THE DATA TO THIS IS EXPRESSLY FORBIDDEN UNLESS YOUR COMPANY HAS ITS USE LIMITED TO USE WITHIN YOUR COMPANY ONLY AND DOES NOT REVEAL MANUFACTURE OR PROCEEDING UNDER ANY OTHER USE IS STRICTLY PROHIBITED WITHOUT PRIOR WRITTEN CONSENT OF ANTCOM CORP.

Dimensions:
 Top View: $\phi 3.000$ [Ø76.20], $\phi 2.630$ [Ø66.80]
 Side View: R6.000 [R152.40], 1.200 [30.47], .215 [5.46], .571 [14.50]
 Bottom View: $\phi 2.837$ [Ø72.06], 1.250 [31.75] SQ., 1.826 [46.39]
 Connector: 4X 4-40 UNC .25 Deep On 2.583 [65.60mm] Dia., 4X 4-40 UNC .250 Deep

Phase Centers:
 X, Y Phase Center = 0.0 (Center of Antenna)
 Z Phase Center = .801 [20.34]

O-RING
 P/N: MS28775-024

CONNECTOR:
 TNC FEMALE CONNECTOR (OPTION: TNC-B, SMA, BNC, N/N-Bulkhead, MCX, MMCX, QMA)

SPECIFICATIONS

ZONE	REVISIONS			
	REV	DESCRIPTION	DATE	APPROVED

ELECTRICAL:

	L1 GPS E1, E2 Galileo L1 IRNSS	L1 GLONASS
FREQUENCY:	1575.42 ± 15.0 MHz 1575.42 ± 17.0 MHz 1575.42 ± 12.0 MHz	(1598 - 1606) MHz
RADIATION PATTERN:	HEMISPHERICAL	
POLARIZATION:	RHCP	
VSWR:	< 2.0:1	
IMPEDANCE:	50 ohms	
ANTENNA GAIN (dBic):	Free Space 5ln G.P	Free Space 5ln G.P
@ 90 ° (ZENITH):	+ 4.1	+ 3.2
@ 10 ° Elevation:	- 2.8	- 3.2
@ 20 ° Elevation:	- 1.9	- 1.6
@ 30 ° Elevation:	- 0.4	- 0.6
@ 60 - 90 ° Elevation:	> 2.9	> + 2.5
BEAM WIDTH (3dB):	95 Deg.	100 Deg.
AXIAL RATIO:	1 dB	2 dB
LIGHTNING PROTECTION:	INPUT: DC GROUNDING; OUTPUT: EN61000-4-5 Level 4	
LNA GAIN:	34 dB	34 dB
LNA NOISE FIGURE:	3.2 dB	4 dB
LNA P1dB Out:	+13 dBm	+13 dBm
LNA DC POWER:	2.5V/20mA, 3V/29mA, 3.3V/35mA, (2.5-24)V/<50mA	
POWER HANDLING:	3 Watt CW, +50dBm Microsec Pulse Input	

MECHANICAL:

SIZE: DIAMETER: 3.0 in. [76.2 mm]
 HEIGHT: 1.20 in. [30.5 mm]
 WEIGHT: 7.8 oz. (221 g)
 FINISH: SKYDROL RESISTANT POLYURETHANE ENAMEL BASE IRIDITE PER MIL-C-5541F Class 1A
 MATERIAL: 6061-T6 ALUMINUM ALLOY BASE COMPOSITE RADOME, IMPACT, ABRASION, UV, SOLVENT, SKYDROL RESISTANCE, AND FIRE RETARDANT
 CONNECTOR: TNC FEMALE CONNECTOR (OPTION: SMA, BNC, N, N Bulkhead, MCX, MMCX)

ENVIRONMENTAL:

TEMPERATURE: -67 °F TO +185 °F [-55 °C TO +85 °C]
 70,000 ft.
 VIBRATION: > 30 G's
 HERMETICALLY SEAL

FEDERAL & MILITARY SPECIFICATIONS:

FAA TSO-C144, DO-160D, DO-228, MIL-C-5541, MIL-E-5400, MIL-L-45208A, MIL-STD-810, AND SAE J1455

ACCEPTANCE TEST PROCEDURE: ATP-GPS-L1L2-100

REV	DESCRIPTION	PART NO	FINISH	ITEM NO
1				3
1				2
1	O-RING, (94115K024) Item 553	MS28775-024		1

QUANTITY REQD **PARTS LIST**

UNLESS OTHERWISE SPECIFIED DIMENSIONS ARE IN INCHES DECIMALS ARE IN THOUSANDS ANGLES ± 1°	ORIGINAL DRAWN	DATE	REVISED	DATE	REVISED
	S. HUYNH	Mar-19-09	S. HUYNH	Mar-19-09	
	S. HUYNH	Mar-19-09	S. HUYNH	Dec-06-13	
	P. TRAN	Dec-06-13	P. TRAN	Dec-06-13	
	S. HUYNH	Dec-06-13	S. HUYNH	Dec-06-13	

ANTCOM CORP. TORRANCE, CALIFORNIA

2.83in Dia.
 L1 Glonass + L1 GPS
 Antenna

DO NOT SCALE DRAWING

SCALE 1/1 SHEET 1 OF 1

P/N: 2.8G16AF-XTC-1

SIZE:	LNA:	CABLE'S LENGTH:	CONNECTOR:	COLOR:
1: 2" SQ.	A: WITH LNA	X: NO CABLE	S: SMA; B: BNC	-1: GLOSS WHITE #17925 PER FED-STD-595B
1.9: 1.9" DIA.	P: WITHOUT LNA		M: MCX; MM: MMCX	-2: LUSTERLESS GRAY #36320 PER FED-STD-595B
2: 2.6" DIA.			N: N; NB: N-Bulkhead	-3: OLIVE DRAB GREEN #34094 PER FED-STD-595B
2.8: 2.8" DIA.			T: TNC; TB: TNC-Bulkhead	-4: LUSTERLESS BLACK #37038 PER FED-STD-595B
3: 3.5" DIA.			C: QMA	-5: TAN #1: FS 23446 or 33446, FED-STD-595
4: MINI ARINC				

NMO Connector Option is Now Available for Some Antennas