



# (1.200-1.400) GHz L-Band Omni Antenna

P/N: 2.5R-1.2-1.4P-XSM-4

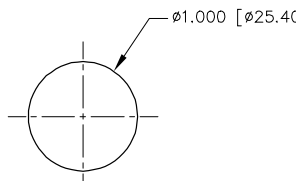
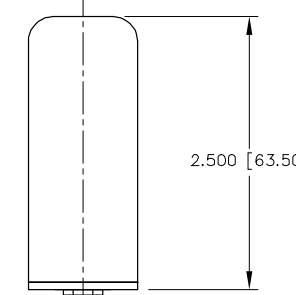


Other Frequencies, Connector and Color Options are Available

ISO 9001:2008/FAA Approved Facility

Antenna Mounts/Adapters: <http://www.antcom.com/documents/catalogs/PeripheralAntennaProducts2.pdf>

ANTCOM CORPORATION . 367 Van Ness Way, Suite 602 . Torrance, CA 90501, USA . Tel: (310) 782-1076 . Fax: (310) 782-1086 . E-mail: [antennas@antcom.com](mailto:antennas@antcom.com) . <http://www.antcom.com>

NOTICE OF PROPRIETARY RIGHTS THIS DOCUMENT CONTAINS CONFIDENTIAL TECHNICAL DATA INCLUDING TRADE SECRETS PROPRIETARY TO ANTCOM CORP. DISCLOSURE OF THIS DATA TO YOU IS EXPRESSLY CONDITIONED UPON YOUR ASSENT THAT ITS USE IS LIMITED TO USE WITHIN YOUR COMPANY ONLY (AND DOES NOT INCLUDE MANUFACTURE OR PROCESSING USES). ANY OTHER USE IS STRICTLY PROHIBITED WITHOUT PRIOR WRITTEN CONSENT OF ANTCOM CORP.		SPECIFICATIONS		REVISIONS																																																																														
				ZONE	REV	DESCRIPTION	DATE	APPROVED																																																																										
		<b>ELECTRICAL:</b> <table border="1" style="width:100%; border-collapse: collapse;"> <thead> <tr> <th colspan="2">L-BAND</th> </tr> </thead> <tbody> <tr> <td>FREQUENCY (MHz):</td> <td>(1200-1400)</td> </tr> <tr> <td>PATTERN:</td> <td>OMNIDIRECTIONAL</td> </tr> <tr> <td>POLARIZATION:</td> <td>VERTICAL</td> </tr> <tr> <td>ANTENNA GAIN:</td> <td>&gt; 1 dB</td> </tr> <tr> <td>VSWR:</td> <td>2.1:1</td> </tr> <tr> <td>OUTPUT IMPEDANCE:</td> <td>50 <math>\Omega</math></td> </tr> <tr> <td>POWER HANDLING:</td> <td>100 watts (Without LNA)</td> </tr> <tr> <td>LNA OPTION:</td> <td>GAIN: 20 dB, NF: 4.1 dB, OP1dB: +18dB, OIP3: +33dB DC: (5 to 24) Volt @ &lt;math&gt;&lt;70\text{mA}&lt;/math&gt;</td> </tr> </tbody> </table>		L-BAND		FREQUENCY (MHz):	(1200-1400)	PATTERN:	OMNIDIRECTIONAL	POLARIZATION:	VERTICAL	ANTENNA GAIN:	> 1 dB	VSWR:	2.1:1	OUTPUT IMPEDANCE:	50 $\Omega$	POWER HANDLING:	100 watts (Without LNA)	LNA OPTION:	GAIN: 20 dB, NF: 4.1 dB, OP1dB: +18dB, OIP3: +33dB DC: (5 to 24) Volt @ <math><70\text{mA}</math>	<table border="1" style="width:100%; border-collapse: collapse;"> <thead> <tr> <th colspan="5">REVISIONS</th> </tr> <tr> <th>ZONE</th> <th>REV</th> <th>DESCRIPTION</th> <th>DATE</th> <th>APPROVED</th> </tr> </thead> <tbody> <tr> <td> </td> <td> </td> <td> </td> <td> </td> <td> </td> </tr> </tbody> </table>					REVISIONS					ZONE	REV	DESCRIPTION	DATE	APPROVED																																														
				L-BAND																																																																														
FREQUENCY (MHz):	(1200-1400)																																																																																	
PATTERN:	OMNIDIRECTIONAL																																																																																	
POLARIZATION:	VERTICAL																																																																																	
ANTENNA GAIN:	> 1 dB																																																																																	
VSWR:	2.1:1																																																																																	
OUTPUT IMPEDANCE:	50 $\Omega$																																																																																	
POWER HANDLING:	100 watts (Without LNA)																																																																																	
LNA OPTION:	GAIN: 20 dB, NF: 4.1 dB, OP1dB: +18dB, OIP3: +33dB DC: (5 to 24) Volt @ <math><70\text{mA}</math>																																																																																	
REVISIONS																																																																																		
ZONE	REV	DESCRIPTION	DATE	APPROVED																																																																														
		<b>MECHANICAL:</b> SIZE: DIAMETER = 1.000 in. [25.40 mm] HEIGHT = 2.500 in. [63.50 mm] WEIGHT: 1.38 oz. (39 g) FINISH: SKYDROL RESISTANT POLYURETHANE ENAMEL BASE IRIDITE PER MIL-C-5441F MATERIAL: 6061-T6 ALUMINUM ALLOY BASE THERMOSET PLASTIC RADOME, UV, ABRASION AND SKYDROL RESISTANCE CONNECTOR: SMA MALE CONNECTOR (OPTION: (TNC, TNC-BLK, N OR CABLE))		<b>ENVIRONMENTAL:</b> TEMPERATURE: -67°F TO +185°F [-55°C TO +85°C] ALTITUDE: 70,000 ft. VIBRATION: >10 G's LEAKAGE: HERMETICALLY SEALED																																																																														
				<b>FEDERAL &amp; MILITARY SPECIFICATIONS:</b> <b>DESIGN TO:</b> DO-160D, MIL-C-5541, MIL-E-5400, MIL-I-45208A, AND MIL-STD-810E																																																																														
<table border="1" style="width:100%; border-collapse: collapse;"> <thead> <tr> <th>FREQUENCY:</th> <th>CABLE'S LENGTH:</th> <th>LNA:</th> <th>CONNECTOR:</th> <th>COLOR:</th> </tr> </thead> <tbody> <tr> <td>0.31-0.40: (310-400) MHz</td> <td>X: NO CABLE</td> <td>A: WITH +20 dB LNA</td> <td>S: SMA; RS: R-SMA; Q: QMA</td> <td>-1: GLOSS WHITE #17925 PER FED-STD-595B</td> </tr> <tr> <td>0.35-0.40: (350-400) MHz</td> <td>M: WITH MAG. MOUNT</td> <td>P: WITHOUT LNA</td> <td>M: MCX; MM: MMCX</td> <td>-2: LUSTERLESS GRAY #36320 PER FED-STD-595B</td> </tr> <tr> <td>0.41-0.47: (410-470) MHz</td> <td>#: CABLE LENGTH (IN)</td> <td></td> <td>N: N-Bulkhead</td> <td>-3: CAMO GREEN #34094 PER FED-STD-595B</td> </tr> <tr> <td>0.81-0.96: (810-960) MHz</td> <td>R: RIGHT ANGLE CON.</td> <td></td> <td>T: TNC; TB: TNC-Bulkhead</td> <td>-4: LUSTERLESS BLACK #37038 PER FED-STD-595B</td> </tr> <tr> <td>0.85-1.90: (850-1900) MHz</td> <td></td> <td></td> <td></td> <td>-5: DESERT TAN #33446 PER FED-STD-595B</td> </tr> <tr> <td>1.20-1.40: (1200-1400) MHz</td> <td></td> <td></td> <td></td> <td></td> </tr> <tr> <td>1.33-1.54: (1332-1540) MHz</td> <td></td> <td></td> <td></td> <td></td> </tr> <tr> <td>1.61-2.50: (1610-2500) MHz</td> <td></td> <td></td> <td></td> <td></td> </tr> <tr> <td>2.40-2.50: (2400-2500) MHz</td> <td></td> <td></td> <td></td> <td></td> </tr> <tr> <td>0.80-3.00: (800-3000) MHz</td> <td></td> <td></td> <td></td> <td></td> </tr> <tr> <td>X.XX - Y.YY: (X.XX - Y.YY) GHz</td> <td></td> <td></td> <td></td> <td></td> </tr> </tbody> </table>		FREQUENCY:	CABLE'S LENGTH:	LNA:	CONNECTOR:	COLOR:	0.31-0.40: (310-400) MHz	X: NO CABLE	A: WITH +20 dB LNA	S: SMA; RS: R-SMA; Q: QMA	-1: GLOSS WHITE #17925 PER FED-STD-595B	0.35-0.40: (350-400) MHz	M: WITH MAG. MOUNT	P: WITHOUT LNA	M: MCX; MM: MMCX	-2: LUSTERLESS GRAY #36320 PER FED-STD-595B	0.41-0.47: (410-470) MHz	#: CABLE LENGTH (IN)		N: N-Bulkhead	-3: CAMO GREEN #34094 PER FED-STD-595B	0.81-0.96: (810-960) MHz	R: RIGHT ANGLE CON.		T: TNC; TB: TNC-Bulkhead	-4: LUSTERLESS BLACK #37038 PER FED-STD-595B	0.85-1.90: (850-1900) MHz				-5: DESERT TAN #33446 PER FED-STD-595B	1.20-1.40: (1200-1400) MHz					1.33-1.54: (1332-1540) MHz					1.61-2.50: (1610-2500) MHz					2.40-2.50: (2400-2500) MHz					0.80-3.00: (800-3000) MHz					X.XX - Y.YY: (X.XX - Y.YY) GHz					<b>P/N: 2.5R-1.2-1.4P-XSM-4</b>		<table border="1" style="width:100%; border-collapse: collapse;"> <thead> <tr> <th>1</th> <th>DESCRIPTION</th> <th>PART NO</th> <th>SPECIFICATION</th> <th>MATERIAL</th> <th>FINISH</th> <th>1</th> </tr> </thead> <tbody> <tr> <td> </td> <td> </td> <td> </td> <td> </td> <td> </td> <td> </td> <td> </td> </tr> </tbody> </table>					1	DESCRIPTION	PART NO	SPECIFICATION	MATERIAL	FINISH	1							
FREQUENCY:	CABLE'S LENGTH:	LNA:	CONNECTOR:	COLOR:																																																																														
0.31-0.40: (310-400) MHz	X: NO CABLE	A: WITH +20 dB LNA	S: SMA; RS: R-SMA; Q: QMA	-1: GLOSS WHITE #17925 PER FED-STD-595B																																																																														
0.35-0.40: (350-400) MHz	M: WITH MAG. MOUNT	P: WITHOUT LNA	M: MCX; MM: MMCX	-2: LUSTERLESS GRAY #36320 PER FED-STD-595B																																																																														
0.41-0.47: (410-470) MHz	#: CABLE LENGTH (IN)		N: N-Bulkhead	-3: CAMO GREEN #34094 PER FED-STD-595B																																																																														
0.81-0.96: (810-960) MHz	R: RIGHT ANGLE CON.		T: TNC; TB: TNC-Bulkhead	-4: LUSTERLESS BLACK #37038 PER FED-STD-595B																																																																														
0.85-1.90: (850-1900) MHz				-5: DESERT TAN #33446 PER FED-STD-595B																																																																														
1.20-1.40: (1200-1400) MHz																																																																																		
1.33-1.54: (1332-1540) MHz																																																																																		
1.61-2.50: (1610-2500) MHz																																																																																		
2.40-2.50: (2400-2500) MHz																																																																																		
0.80-3.00: (800-3000) MHz																																																																																		
X.XX - Y.YY: (X.XX - Y.YY) GHz																																																																																		
1	DESCRIPTION	PART NO	SPECIFICATION	MATERIAL	FINISH	1																																																																												
<table border="1" style="width:100%; border-collapse: collapse;"> <thead> <tr> <th>QUANTITY</th> <th>RECD</th> <th>DESCRIPTION</th> <th>PARTS LIST</th> </tr> </thead> <tbody> <tr> <td> </td> <td> </td> <td> </td> <td> </td> </tr> </tbody> </table>		QUANTITY	RECD	DESCRIPTION	PARTS LIST					<table border="1" style="width:100%; border-collapse: collapse;"> <tbody> <tr> <td>UNLESS OTHERWISE SPECIFIED DIMENSIONS ARE IN INCHES</td> <td rowspan="2">           ORIGINALLY DRAWN S. HUYNH Dec-02-16            ORIGINALLY DESIGNED S. HUYNH Dec-02-16            UPDATED S. HUYNH June-07-17            UPDATE DRAWN P. TRAN June-07-17            APPROVED S. HUYNH June-07-17         </td> <td rowspan="2" style="text-align: center;"> <b>ANTCOM CORP.</b> TORRANCE CALIFORNIA             L-Band Omni Antenna         </td> </tr> <tr> <td>           FRACTIONS DECIMALS ANGLES  <math>\pm 1/64</math> <math>\pm .005</math> <math>\pm 1'</math> </td> </tr> <tr> <td>           TOLERANCE SYM PER ANSI Y14.5            REMOVE ALL BURRS            BREAK EXTERNAL EDGES .005 TO .016            FILETS R .005 TO R .030            SCREW THREADS PER MIL-S-8879            DIA'S ON A COMMON <math>\pm .005</math>            MACHINED SURFACES <math>\pm .005</math> </td> <td>           SIZE CASE NO DRAWING NO REV            D 3CVE1 2.5R-1.2-1.4P-XSM-4 -            SCALE 1/1 SHEET 1 OF 1         </td> </tr> </tbody> </table>		UNLESS OTHERWISE SPECIFIED DIMENSIONS ARE IN INCHES	ORIGINALLY DRAWN S. HUYNH Dec-02-16 ORIGINALLY DESIGNED S. HUYNH Dec-02-16 UPDATED S. HUYNH June-07-17 UPDATE DRAWN P. TRAN June-07-17 APPROVED S. HUYNH June-07-17	<b>ANTCOM CORP.</b> TORRANCE CALIFORNIA  L-Band Omni Antenna	FRACTIONS DECIMALS ANGLES $\pm 1/64$ $\pm .005$ $\pm 1'$	TOLERANCE SYM PER ANSI Y14.5 REMOVE ALL BURRS BREAK EXTERNAL EDGES .005 TO .016 FILETS R .005 TO R .030 SCREW THREADS PER MIL-S-8879 DIA'S ON A COMMON $\pm .005$ MACHINED SURFACES $\pm .005$	SIZE CASE NO DRAWING NO REV D 3CVE1 2.5R-1.2-1.4P-XSM-4 - SCALE 1/1 SHEET 1 OF 1																																																																	
QUANTITY	RECD	DESCRIPTION	PARTS LIST																																																																															
UNLESS OTHERWISE SPECIFIED DIMENSIONS ARE IN INCHES	ORIGINALLY DRAWN S. HUYNH Dec-02-16 ORIGINALLY DESIGNED S. HUYNH Dec-02-16 UPDATED S. HUYNH June-07-17 UPDATE DRAWN P. TRAN June-07-17 APPROVED S. HUYNH June-07-17	<b>ANTCOM CORP.</b> TORRANCE CALIFORNIA  L-Band Omni Antenna																																																																																
FRACTIONS DECIMALS ANGLES $\pm 1/64$ $\pm .005$ $\pm 1'$																																																																																		
TOLERANCE SYM PER ANSI Y14.5 REMOVE ALL BURRS BREAK EXTERNAL EDGES .005 TO .016 FILETS R .005 TO R .030 SCREW THREADS PER MIL-S-8879 DIA'S ON A COMMON $\pm .005$ MACHINED SURFACES $\pm .005$	SIZE CASE NO DRAWING NO REV D 3CVE1 2.5R-1.2-1.4P-XSM-4 - SCALE 1/1 SHEET 1 OF 1																																																																																	