



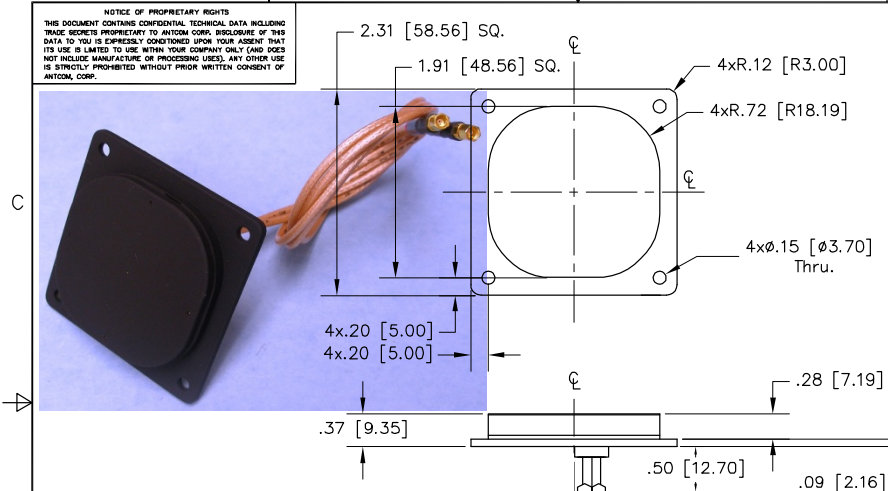
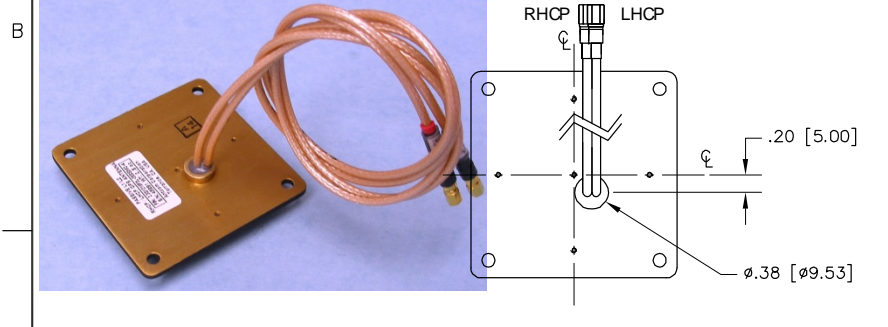
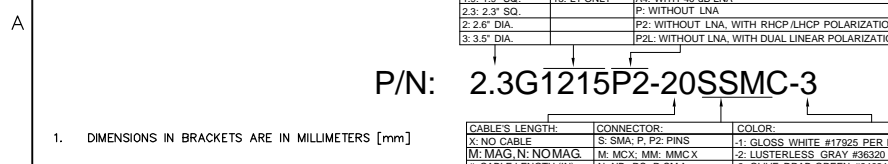
FAA Approved Facility

RHCP/LHCP L1/L2 GPS Antenna, P/N: 2.3G1215P2-20SSMC-3
Dual Linear (V/H) L1/L2 GPS Antenna, P/N: 2.3G1215P2L-20SSMC-3
Low Profile 2.3" Square, Flat/Back Mount Bolt on Configuration
Suitable for Forming Multiple Element CRPA

Antenna Mounts: <http://www.antcom.com/documents/catalogs/PeripheralAntennaProducts2.pdf>



ANTCOM CORPORATION . 367 Van Ness Way, Suite 602 . Torrance, CA 90501 . Tel: (310) 782-1076 . Fax: (310) 782-1086 . E-mail: antennas@antcom.com . <http://www.antcom.com>

NOTICE OF PROPRIETARY RIGHTS		SPECIFICATIONS		REVISIONS																									
THIS DOCUMENT CONTAINS CONFIDENTIAL TECHNICAL DATA INCLUDING TRADE SECRETS PROPRIETARY TO ANTCOM CORP. DISCLOSURE OF THIS DATA TO YOU IS EXPRESSLY CONDITIONED UPON YOUR ASSENT THAT ITS USE IS LIMITED TO USE WITHIN YOUR COMPANY ONLY (AND DOES NOT INCLUDE MANUFACTURE OR PROCESSING USES). ANY OTHER USE IS STRICTLY PROHIBITED WITHOUT PRIOR WRITTEN CONSENT OF ANTCOM CORP.				ZONE	REV	DESCRIPTION	DATE	APPROVED																					
		ELECTRICAL:																											
		FREQUENCY: L1: (1575.42 ±12) MHz L2: (1227.60 ±12) MHz RADIATION PATTERN: HEMISPHERICAL POLARIZATION: RHCP/LHCP VSWR: < 2.0:1 IMPEDANCE: 50 ohms ANTENNA GAIN (dBic): Free Space 3 in G.P. 4 ft G.P. Free Space 3 in G.P. 4 ft G.P. @ 90 ° (ZENITH): +2.7 +4.7 +3.1 +1.5 +3.3 +4.5 @ 10 ° Elevation: -4.4 -1.8 -1.9 -6.7 -3.8 -3.5 @ 20 ° Elevation: -2.3 -0.3 +0.6 -5.6 -2.0 -0.8 @ 30 ° Elevation: -0.8 +1.4 +1.7 -4.5 -0.5 +1.4 @ 60 -90 ° Elevation: > 2.0 > 3.9 > 2.4 > 0.0 > 2.7 > 2.2 BEAM WIDTH (3dB): 113 Deg. 114 Deg. 143 Deg. 85 Deg. 106 Deg. 74 Deg. AXIAL RATIO: 2 dB LIGHTNING PROTECTION: DC GROUNDING																											
		LNA OPTION:																											
		LNA GAIN: (21.0+/-2.0) dB LNA NOISE FIGURE: 1.8 dB LNA P 1dB Out: +16 dBm VOLTAGE/CURRENT: (+2.8 TO +28) Volts DC / (15 TO 25) mA																											
		MECHANICAL:																											
		SIZE: 2.31 in. [58.56 mm] SQ. HEIGHT: 0.37 in. [9.35 mm] WEIGHT: 2.8 oz. (80 g) FINISH: SKYDROL RESISTANT POLYURETHANENAMEL BASE IRIDITE PER MIL-C-5441 MATERIAL: 6061-T6 ALUMINUM ALLOY BASE THERMOSET PLASTIC RADOME, UV, ABRASION AND SKYDROL RESISTANCE CONNECTOR: 20 IN SSMC MALE CABLES (OPTION: SMC, SMB, SSMB, SMA, PIN, TNC, TNC-Bulkhead, N, N-Bulkhead, MCX, MMCX, or Cable)																											
P/N: 2.3G1215P2-20SSMC-3		ENVIRONMENTAL:																											
		TEMPERATURE: -67 °F TO +185 °F [-55 °C TO +85 °C] ALTITUDE: 70,000 ft. VIBRATION: >30 G's LEAKAGE: HERMETICALLY SEAL																											
FEDERAL & MILITARY SPECIFICATIONS DESIGN TO: FAA TSO-C144, DO-160D, D0-228, MIL-C-5541, MIL-E-5400, MIL-I-45208A, AND MIL-STD-810		TABLE 1: PARTS LIST																											
		<table border="1" style="width:100%; border-collapse: collapse; font-size: 8px;"> <thead> <tr> <th>1</th> <th>DESCRIPTION</th> <th>PART NO</th> <th>SPECIFICATION</th> <th>MATERIAL</th> <th>FINISH</th> <th>1</th> </tr> </thead> <tbody> <tr> <td>1</td> <td>2.3" SQUARE, L1/L2 PASSIVE RHCP/LHCP GPS ANTENNA</td> <td></td> <td></td> <td></td> <td></td> <td>1</td> </tr> </tbody> </table>		1	DESCRIPTION	PART NO	SPECIFICATION	MATERIAL	FINISH	1	1	2.3" SQUARE, L1/L2 PASSIVE RHCP/LHCP GPS ANTENNA					1												
1	DESCRIPTION	PART NO	SPECIFICATION	MATERIAL	FINISH	1																							
1	2.3" SQUARE, L1/L2 PASSIVE RHCP/LHCP GPS ANTENNA					1																							
1. DIMENSIONS IN BRACKETS ARE IN MILLIMETERS [mm]		TABLE 2: DIMENSIONS																											
		<table border="1" style="width:100%; border-collapse: collapse; font-size: 8px;"> <thead> <tr> <th>SIZE:</th> <th>FREQ. BAND:</th> <th>POLARIZATION:</th> <th>LNA OPTIONS:</th> </tr> </thead> <tbody> <tr> <td>1: 2" SQ.</td> <td>1215: L1/L2</td> <td>A2: WITH 20 dB LNA</td> <td></td> </tr> <tr> <td>1.9: 1.9" SQ.</td> <td>15: L1 ONLY</td> <td>A4: WITH 40 dB LNA</td> <td></td> </tr> <tr> <td>2.3: 2.3" SQ.</td> <td></td> <td>P: WITHOUT LNA</td> <td></td> </tr> <tr> <td>2: 2.6" DIA.</td> <td></td> <td>P2: WITHOUT LNA, WITH RHCP/LHCP POLARIZATION</td> <td></td> </tr> <tr> <td>3: 3.5" DIA.</td> <td></td> <td>P2L: WITHOUT LNA, WITH DUAL LINEAR POLARIZATION</td> <td></td> </tr> </tbody> </table>		SIZE:	FREQ. BAND:	POLARIZATION:	LNA OPTIONS:	1: 2" SQ.	1215: L1/L2	A2: WITH 20 dB LNA		1.9: 1.9" SQ.	15: L1 ONLY	A4: WITH 40 dB LNA		2.3: 2.3" SQ.		P: WITHOUT LNA		2: 2.6" DIA.		P2: WITHOUT LNA, WITH RHCP/LHCP POLARIZATION		3: 3.5" DIA.		P2L: WITHOUT LNA, WITH DUAL LINEAR POLARIZATION			
SIZE:	FREQ. BAND:	POLARIZATION:	LNA OPTIONS:																										
1: 2" SQ.	1215: L1/L2	A2: WITH 20 dB LNA																											
1.9: 1.9" SQ.	15: L1 ONLY	A4: WITH 40 dB LNA																											
2.3: 2.3" SQ.		P: WITHOUT LNA																											
2: 2.6" DIA.		P2: WITHOUT LNA, WITH RHCP/LHCP POLARIZATION																											
3: 3.5" DIA.		P2L: WITHOUT LNA, WITH DUAL LINEAR POLARIZATION																											
TABLE 3: MATERIALS & FINISHES		TABLE 4: TOLERANCES																											
		<table border="1" style="width:100%; border-collapse: collapse; font-size: 8px;"> <thead> <tr> <th>CABLE'S LENGTH:</th> <th>CONNECTOR:</th> <th>COLOR:</th> </tr> </thead> <tbody> <tr> <td>X: NO CABLE</td> <td>S: SMA; P: P2 PINS</td> <td>1: GLOSS WHITE #17925 PER FED-STD-595B</td> </tr> <tr> <td>M: MAG. N: NOMAG</td> <td>M: MCX; MM: MMCX</td> <td>2: LUSTERLESS GRAY #36220 PER FED-STD-595B</td> </tr> <tr> <td>F: CABLE LENGTH (IN)</td> <td>N: NS; RS: R-SMA</td> <td>3: OLIVE DRAB GREEN #34301 PER FED-STD-595B</td> </tr> <tr> <td>R: RIGHT ANGLE CON.</td> <td>T, TB: TNC, TNC-Bulkhead</td> <td>4: LUSTERLESS BLACK #37038 PER FED-STD-595B</td> </tr> </tbody> </table>		CABLE'S LENGTH:	CONNECTOR:	COLOR:	X: NO CABLE	S: SMA; P: P2 PINS	1: GLOSS WHITE #17925 PER FED-STD-595B	M: MAG. N: NOMAG	M: MCX; MM: MMCX	2: LUSTERLESS GRAY #36220 PER FED-STD-595B	F: CABLE LENGTH (IN)	N: NS; RS: R-SMA	3: OLIVE DRAB GREEN #34301 PER FED-STD-595B	R: RIGHT ANGLE CON.	T, TB: TNC, TNC-Bulkhead	4: LUSTERLESS BLACK #37038 PER FED-STD-595B											
CABLE'S LENGTH:	CONNECTOR:	COLOR:																											
X: NO CABLE	S: SMA; P: P2 PINS	1: GLOSS WHITE #17925 PER FED-STD-595B																											
M: MAG. N: NOMAG	M: MCX; MM: MMCX	2: LUSTERLESS GRAY #36220 PER FED-STD-595B																											
F: CABLE LENGTH (IN)	N: NS; RS: R-SMA	3: OLIVE DRAB GREEN #34301 PER FED-STD-595B																											
R: RIGHT ANGLE CON.	T, TB: TNC, TNC-Bulkhead	4: LUSTERLESS BLACK #37038 PER FED-STD-595B																											
TABLE 5: FINISHES		TABLE 6: TOLERANCES																											
		<table border="1" style="width:100%; border-collapse: collapse; font-size: 8px;"> <thead> <tr> <th>UNLESS OTHERWISE SPECIFIED DIMENSIONS ARE IN INCHES</th> <th>FRACTIONS</th> <th>DECIMALS</th> <th>ANGLES</th> </tr> </thead> <tbody> <tr> <td></td> <td>± 1/64</td> <td>± .004</td> <td>± 1°</td> </tr> <tr> <td></td> <td></td> <td>± .002</td> <td></td> </tr> <tr> <td></td> <td></td> <td>± .010</td> <td></td> </tr> </tbody> </table>		UNLESS OTHERWISE SPECIFIED DIMENSIONS ARE IN INCHES	FRACTIONS	DECIMALS	ANGLES		± 1/64	± .004	± 1°			± .002				± .010											
UNLESS OTHERWISE SPECIFIED DIMENSIONS ARE IN INCHES	FRACTIONS	DECIMALS	ANGLES																										
	± 1/64	± .004	± 1°																										
		± .002																											
		± .010																											
TABLE 7: TOLERANCES		TABLE 8: TOLERANCES																											
		<table border="1" style="width:100%; border-collapse: collapse; font-size: 8px;"> <thead> <tr> <th>TOLERANCE SYM PER ANSI Y14.5</th> <th>REMOVE ALL BURRS</th> <th>BREAK EXTERNAL EDGES .005 TO .015</th> <th>FILET R .005 TO R .030</th> <th>SCREW THREADS PER MIL-S-8879</th> <th>DIA'S ON A COMMON Ø ± .005</th> <th>MACHINED SURFACES</th> </tr> </thead> <tbody> <tr> <td></td> <td></td> <td></td> <td></td> <td></td> <td></td> <td></td> </tr> </tbody> </table>		TOLERANCE SYM PER ANSI Y14.5	REMOVE ALL BURRS	BREAK EXTERNAL EDGES .005 TO .015	FILET R .005 TO R .030	SCREW THREADS PER MIL-S-8879	DIA'S ON A COMMON Ø ± .005	MACHINED SURFACES																			
TOLERANCE SYM PER ANSI Y14.5	REMOVE ALL BURRS	BREAK EXTERNAL EDGES .005 TO .015	FILET R .005 TO R .030	SCREW THREADS PER MIL-S-8879	DIA'S ON A COMMON Ø ± .005	MACHINED SURFACES																							
TABLE 9: TOLERANCES		TABLE 10: TOLERANCES																											
		<table border="1" style="width:100%; border-collapse: collapse; font-size: 8px;"> <thead> <tr> <th>DO NOT SCALE DRAWING</th> </tr> </thead> <tbody> <tr> <td></td> </tr> </tbody> </table>		DO NOT SCALE DRAWING																									
DO NOT SCALE DRAWING																													
TABLE 11: TOLERANCES		TABLE 12: TOLERANCES																											
		<table border="1" style="width:100%; border-collapse: collapse; font-size: 8px;"> <thead> <tr> <th>ANTCOM CORP. TORRANCE CALIFORNIA</th> </tr> </thead> <tbody> <tr> <td>2.3" SQUARE, L1/L2 PASSIVE RHCP/LHCP GPS ANTENNA</td> </tr> <tr> <td>DATE: DEC-08-08</td> </tr> <tr> <td>SCALE: 1/1</td> </tr> <tr> <td>SHEET: 1 OF 1</td> </tr> </tbody> </table>		ANTCOM CORP. TORRANCE CALIFORNIA	2.3" SQUARE, L1/L2 PASSIVE RHCP/LHCP GPS ANTENNA	DATE: DEC-08-08	SCALE: 1/1	SHEET: 1 OF 1																					
ANTCOM CORP. TORRANCE CALIFORNIA																													
2.3" SQUARE, L1/L2 PASSIVE RHCP/LHCP GPS ANTENNA																													
DATE: DEC-08-08																													
SCALE: 1/1																													
SHEET: 1 OF 1																													
TABLE 13: TOLERANCES		TABLE 14: TOLERANCES																											
		<table border="1" style="width:100%; border-collapse: collapse; font-size: 8px;"> <thead> <tr> <th>ANTCOM CORP. TORRANCE CALIFORNIA</th> </tr> </thead> <tbody> <tr> <td>2.3" SQUARE, L1/L2 PASSIVE RHCP/LHCP GPS ANTENNA</td> </tr> <tr> <td>DATE: DEC-08-08</td> </tr> <tr> <td>SCALE: 1/1</td> </tr> <tr> <td>SHEET: 1 OF 1</td> </tr> </tbody> </table>		ANTCOM CORP. TORRANCE CALIFORNIA	2.3" SQUARE, L1/L2 PASSIVE RHCP/LHCP GPS ANTENNA	DATE: DEC-08-08	SCALE: 1/1	SHEET: 1 OF 1																					
ANTCOM CORP. TORRANCE CALIFORNIA																													
2.3" SQUARE, L1/L2 PASSIVE RHCP/LHCP GPS ANTENNA																													
DATE: DEC-08-08																													
SCALE: 1/1																													
SHEET: 1 OF 1																													

http://www.antcom.com/documents/catalogs/PeripheralAntennaProducts1.pdf (Amplifiers/Power Divider/Combiner/Filters)