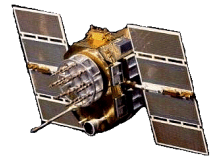




RHCP/LHCP L1/L2 GPS Antenna, P/N: 2.3G1215P2-20SSMC-3

Low Profile 2.3" Square, Flat/Back Mount Bolt on Configuration

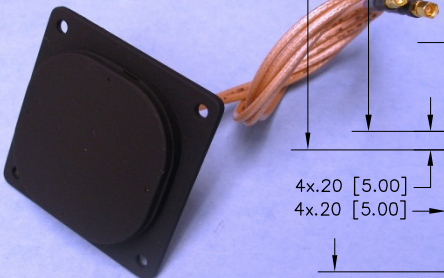
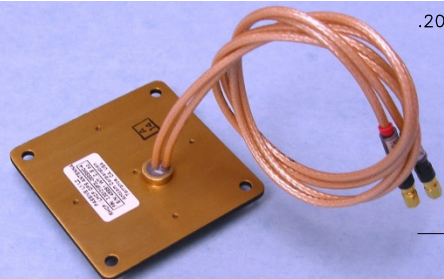
Suitable for Forming Multiple Element CRPA



ISO 9001:2008/FAA Approved Facility Antenna Mounts: <http://www.antcom.com/documents/catalogs/PeripheralAntennaProducts2.pdf>

ANTCOM CORPORATION . 367 Van Ness Way, #602 . Torrance, CA 90501 . Tel: (310) 782-1076 . Fax: (310) 782-1086 . E-mail: antennas@antcom.com . <http://www.antcom.com>

NOTICE OF PROPRIETARY RIGHTS
THIS DOCUMENT CONTAINS PROPRIETARY TECHNICAL DATA INCLUDING TRADE SECRETS PROPRIETARY TO ANTCOM CORP. DISCLOSURE OF THIS DATA TO YOU IS EXPRESSLY CONDITIONED UPON YOUR ASSENT THAT ITS USE IS LIMITED TO USE WITHIN YOUR COMPANY ONLY (AND DOES NOT INCLUDE MANUFACTURE OR PROCESSING USES). ANY OTHER USE IS STRICTLY PROHIBITED WITHOUT PRIOR WRITTEN CONSENT OF ANTCOM, CORP.

SPECIFICATIONS

ZONE	REV	REVISIONS		
		DESCRIPTION	DATE	APPROVED

ELECTRICAL:

	L1: (1575.42±12) MHz	L2: (1227.60±12) MHz				
FREQUENCY:						
RADIATION PATTERN:	HEMISPHERICAL					
POLARIZATION:	RHCP/LHCP					
VSWR:	< 2.0:1	< 2.0:1				
IMPEDANCE:	50 ohms	50 ohms				
ANTENNA GAIN (dBic):	Free Space	3 in G.P.	4 ft G.P.	Free Space	3 in G.P.	4 ft G.P.
@ 90° (ZENITH):	+2.7	+4.7	+3.1	+1.5	+3.3	+4.5
@ 10° Elevation:	-4.4	-1.8	-1.9	-6.7	-3.8	-3.5
@ 20° Elevation:	-2.3	-0.3	+0.6	-5.6	-2.0	-0.8
@ 30° Elevation:	-0.8	+1.4	+1.7	-4.5	-0.5	+1.4
@ 60 - 90° Elevation:	> 2.0	> 3.9	> 2.4	> 0.0	> 2.7	> 2.2
BEAM WIDTH (3dB):	113 Deg.	114 Deg.	143 Deg.	85 Deg.	106 Deg.	74 Deg.
AXIAL RATIO:	2 dB		2 dB			
LIGHTNING PROTECTION:	DC GROUNDING					

LNA OPTION:

LNA GAIN: (21.0+/-2.0) dB
LNA NOISE FIGURE: 1.8 dB
LNA P 1dB Out: +16 dBm
VOLTAGE/CURRENT: (+2.8 TO +28) Volts DC / (15 TO 25) mA

MECHANICAL:

SIZE: 2.31 in. [58.56 mm] SQ.
HEIGHT: 0.37 in. [9.35 mm]
WEIGHT: 2.8 oz. (80 g)
FINISH: SKYDROL RESISTANT POLYURETHANE ENAMEL
BASE IRIDITE PER MIL-C-5441
MATERIAL: 6061-T6 ALUMINUM ALLOY BASE
THERMOSET PLASTIC RADOME, UV, ABRASION AND SKYDROL RESISTANCE
CONNECTOR: 20 IN SSMC MALE CABLES
(OPTION: SMC, SMB, SSMB, SMA, PIN, TNC, TNC-Bulkhead, N, N-Bulkhead, MCX, MMCX, or Cable)

ENVIRONMENTAL:

TEMPERATURE: -67 °F TO +185 °F [-55 °C TO +85 °C]
ALTITUDE: 70,000 ft.
VIBRATION: >30 G's
LEAKAGE: HERMETICALLY SEAL

FEDERAL & MILITARY SPECIFICATIONS

DESIGN TO: FAA TSO-C144, DO-160D, DO-228, MIL-C-5541, MIL-E-5400, MIL-I-45208A AND MIL-STD-810

1. DIMENSIONS IN BRACKETS ARE IN MILLIMETERS [mm]

P/N: 2.3G1215P2-20SSMC-3

SIZE:	FREQ. BAND:	POLARIZATION/LNA OPTIONS:
1: 2" SQ.	1215: L1/L2	A2: WITH 20 dB LNA
1.9: 1.9" SQ.	15: L1 ONLY	A4: WITH 40 dB LNA
2.3: 2.3" SQ.		P: WITHOUT LNA
2: 2.6" DIA.		P2: WITHOUT LNA, WITH RHCP/LHCP POLARIZATION
3: 3.5" DIA.		P2L: WITHOUT LNA, WITH DUAL LINEAR POLARIZATION

CABLE'S LENGTH:	CONNECTOR:	COLOR:
X: NO CABLE	S: SMA; P; P2: PINS	-1: GLOSS WHITE #17925 PER FED-STD-595B
M: MAG. N; NO MAG.	M: MCX; MM: MMCX	-2: LUSTERLESS GRAY #36320 PER FED-STD-595B
#: CABLE LENGTH (IN)	N: NB: RS: R-SMA	-3: OLIVE DRAB GREEN #34031 PER FED-STD-595B
R: RIGHT ANGLE CON.	T: TB: TNC, TNC-Bulkhead	-4: LUSTERLESS BLACK #37038 PER FED-STD-595B

1	DESCRIPTION	PART NO	SPECIFICATION	MATERIAL	FINISH	ITEM NO
UNLESS OTHERWISE SPECIFIED DIMENSIONS ARE IN INCHES FRACTIONS TOLERANCES ARE DECIMALS ANGLES ± 1/64 .XXX ± 1°						
TOLERANCE SYM PER ANSI Y14.5 REMOVE ALL BURRS BREAK EXTERNAL EDGES .005 TO .015 FILLETS R .005 TO R .030 SCREW THREADS PER MIL-S-8879 DIA'S ON A COMMON & Z .005 MACHINED SURFACES 25						
DO NOT SCALE DRAWING						

1	DESCRIPTION	PART NO	SPECIFICATION	MATERIAL	FINISH	ITEM NO

ANTCOM CORP. TORRANCE, CALIFORNIA

2.3" SQUARE, L1/L2 PASSIVE RHCP/LHCP GPS ANTENNA

SIZE	DATE	DRAWN NO	REV
D 3C	VE1	2.3G1215P2-20SSMC-3	

SCALE 1/1 SHEET 1 OF 1