

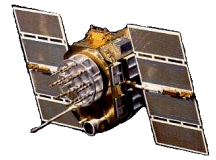


ISO 9001:2008/FAA Approved Facility

Antenna Mounts: <http://www.antcom.com/documents/catalogs/PeripheralAntennaProducts2.pdf>

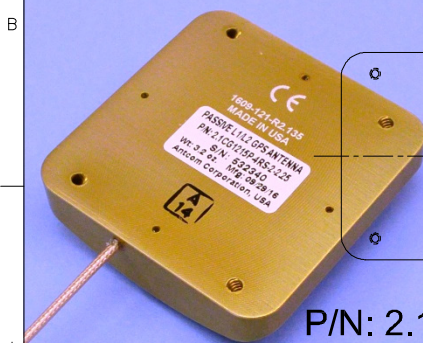
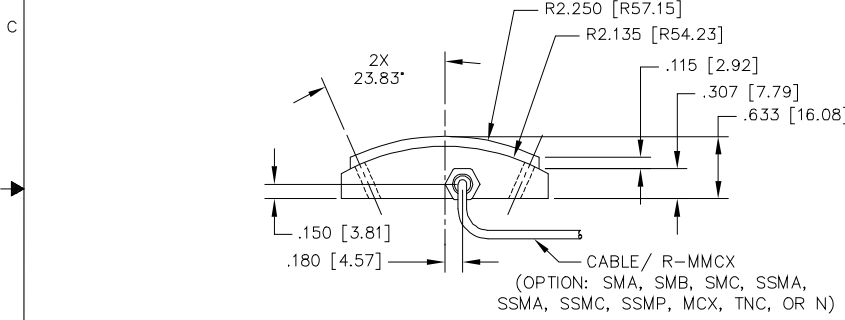
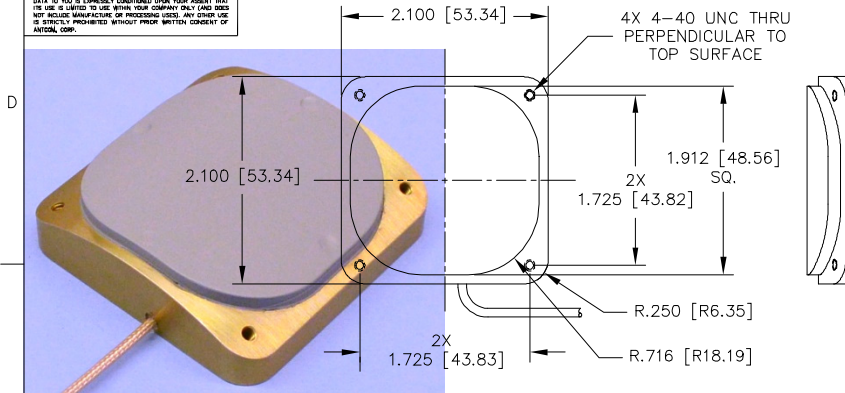
Passive L1/L2 GPS Antenna P/N: 2.1CG1215P-XRMM-2-2.25

Other Frequencies, Connectors and Colors are Available



ANTCOM CORPORATION . 367 Van Ness Way, #602 . Torrance, CA 90501 . Tel: (310) 782-1076 . Fax: (310) 782-1086 . E-mail: antennas@antcom.com . <http://www.antcom.com>

NOTICE OF PROPRIETARY RIGHTS
THIS DOCUMENT CONTAINS CONFIDENTIAL, TECHNICAL DATA INCLUDING TRADE SECRETS PROPRIETARY TO ANTCOM CORP. DISCLOSURE OF THIS DATA TO YOU IS EXPRESSLY CONSIDERED YOUR ASSENT THAT THE USE IS LIMITED TO USE WITHIN YOUR COMPANY ONLY AND DOES NOT INCLUDE MANUFACTURE OR REPRODUCTION. ANY OTHER USE IS EXPRESSLY PROHIBITED WITHOUT PRIOR WRITTEN CONSENT OF ANTCOM CORP.



P/N: 2.1CG1215P-XRMM-2-2.25

FREQ. BAND: 1215: L1/L2 15: L1 ONLY	LNA: A: WITH 33 dB LNA A2: WITH 20 dB LNA A4: WITH 40 dB LNA P: PASSIVE (WITHOUT LNA)	CONNECTOR: S: SMA, T: TNC RS: R-SMA, T: TNC MM: MMCX, SMB, SMC, SSMA SSMB, SSMC, SMP, SSMP	COLOR: -1: GLOSS WHITE #17925 PER FED-STD-595B -2: LUSTERLESS GRAY #36320 PER FED-STD-595B -3: CAMO GREEN #34094 PER FED-STD-595B -4: LUSTERLESS BLACK #37038 PER FED-STD-595B -5: DESERT TAN #33446 PER FED-STD-595B
--	--	---	---

SPECIFICATIONS

ZONE	REV	REVISIONS		
		DESCRIPTION	DATE	APPROVED

ELECTRICAL:

FREQUENCY:	L1: (1575.42 ±12) MHz			L2: (1227.60 ±12) MHz		
RADIATION PATTERN:	HEMISPHERICAL					
POLARIZATION:	RHCP			RHCP		
VSWR:	< 1.5:1			< 1.5:1		
IMPEDANCE:	50 ohms			50 ohms		
ANTENNA GAIN (dBi):	Free Space	3 in G.P.	4 ft G.P.	Free Space	3 in G.P.	4 ft G.P.
@ 90 ° (ZENITH):	+ 3.7	+ 4.7	+ 3.1	- 1.7	+ 3.3	+ 4.5
@ 10 ° Elevation:	- 2.9	- 1.8	- 1.9	- 7.3	- 3.8	- 3.5
@ 20 ° Elevation:	- 1.3	- 0.3	+ 0.6	- 6.2	- 2.0	- 0.8
@ 30 ° Elevation:	0.0	+ 1.4	+ 1.7	- 5.2	- 0.5	+ 1.4
@ 60 - 90 ° Elevation:	> 3.0	> 3.9	> 2.4	> - 3.2	> 2.7	> 2.2
BEAM WIDTH (3dB):	108 Deg.	114 Deg.	143 Deg.	100 Deg.	106 Deg.	74 Deg.
AXIAL RATIO:	2 dB			2 dB		
LIGHTNING PROTECTION:	DC GROUNDING					

LNA OPTION:

LNA GAIN:	20 dB	20 dB
LNA NOISE FIGURE:	1.9 dB	1.8 dB
LNA P1dB Out:	+13 dBm	+13 dBm
LNA DC POWER:	2.5V/10mA, 3V/10mA, 3.3V/12mA, (2.5-24V)/<20mA	
POWER HANDLING:	1 Watt CW, MORE WITH LIMITTER OPTION	

MECHANICAL:

SIZE: LENGTH = 2.10in. [53.34 mm], WIDTH = 2.10in. [53.34 mm]
HEIGHT: 0.633 in. [16.08 mm]

WEIGHT: 2.88 oz. (82 g)

FINISH: SKYDROL RESISTANT POLYURETHANE ENAMEL
BASE IRIDITE PER MIL-C-5441F

MATERIAL: 6061-T6 ALUMINUM ALLOY BASE
COMPOSITE RADOME, IMPACT, ABRASION, UV, SOLVENT, SKYDROL RESISTANCE, AND FIRE RETARDANT

CONNECTOR: CABLE / R-MMCX
(OPTION: SMA, SMB, SMC, SSMA, SSMA, SSMC, SSMP, MCX, MMCX, TNC, OR N)

ENVIRONMENTAL:
TEMPERATURE: -67 °F TO +185 °F [-55 °C TO +85 °C]
ALTITUDE: 70,000 ft.
VIBRATION: > 30 G's
LEAKAGE: HERMETICALLY SEAL

FEDERAL & MILITARY SPECIFICATIONS:

DESIGN TO: FAA TSO-C144, DO-160D, D0-228, MIL-C-5541, MIL-E-5400, MIL-I-45208A, MIL-STD-810, AND SAE J1455

ACCEPTANCE TEST PROCEDURE: ATP-GPS-L1L2-100

1	2	3	4	5	6	7	8	9	10	11	12
1											
1											
-2	-1	DESCRIPTION	PART NO	SPECIFICATION	MATERIAL	FINISH	TEMP				
QUANTITY REQD		PARTS LIST									
UNLESS OTHERWISE SPECIFIED DIMENSIONS ARE IN INCHES FRACTIONS AND DECIMALS ANGLES ±1/64 0.02 0.05 ±1°											
TOLERANCE SW PER ANS Y14.2 BREAK EXTERNAL EDGES .005 TO .015 SURF BREAKS PER MIL-S-8879 DATE ON A CHANGE 6/27/03 MACHINED SURFACES											
DO NOT SCALE DRAWING											
ORIGINAL DRAWN		S. HUYNH		Dec-17-14							
ORIGINAL DESIGNED		S. HUYNH		Dec-17-14							
UPDATED		S. HUYNH		July-27-16							
LAYOUT CHAIN		P. TRAVI		July-27-16							
APPROVED		S. HUYNH		July-27-16							
DRAWING NO		D3CVE1		PART NO		2.1CG1215P-XRMM-2-2.25		REV		BY	
SCALE		1/1		SHEET		1 OF 1					

ANTCOM CORP. TORRANCE, CALIFORNIA

L1/L2 GPS
ANTENNA WITH CABLE

D3CVE1

2.1CG1215P-XRMM-2-2.25

SCALE 1/1 SHEET 1 OF 1