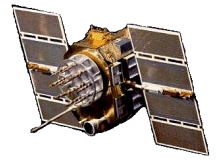




Active or Passive L1/L2 GPS Antenna

P/N: 2.1CG1215P-1.9RMM-2-1.72-RG178 (1.9in Right Angle MMCX/RG178 Cable)

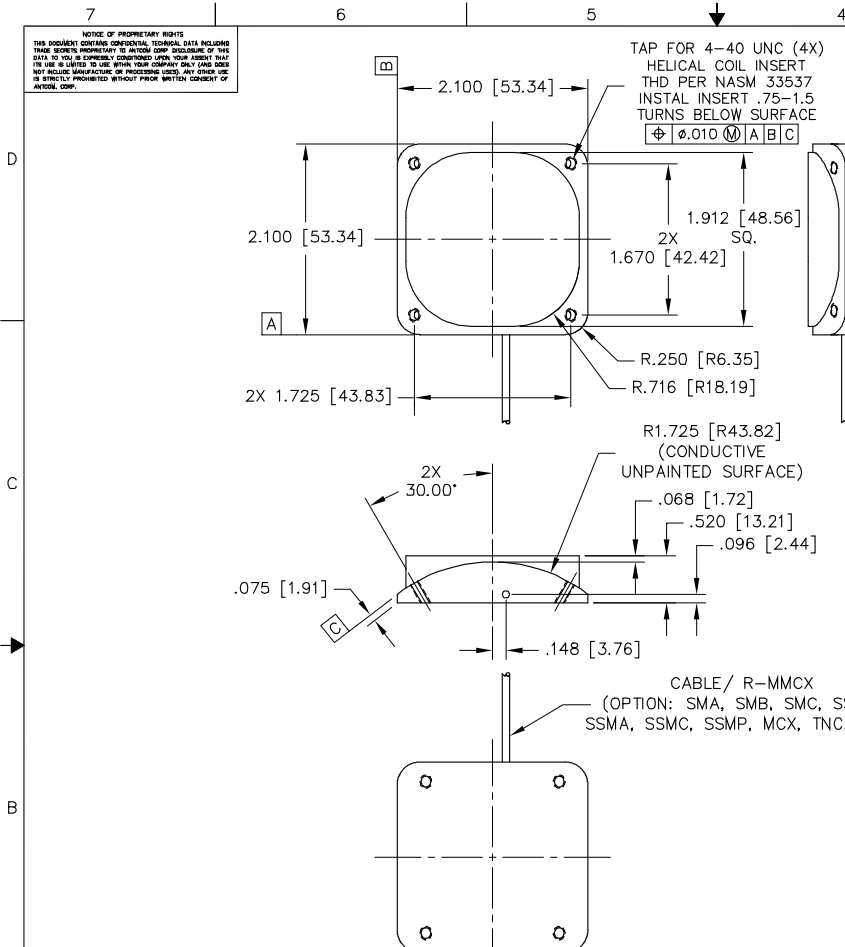
Other Frequencies, Connectors and Colors are Available



ISO 9001:2008/FAA Approved Facility

Antenna Mounts: <http://www.antcom.com/documents/catalogs/PeripheralAntennaProducts2.pdf>

ANTCOM CORPORATION . 367 Van Ness Way, #602 . Torrance, CA 90501 . Tel: (310) 782-1076 . Fax: (310) 782-1086 . E-mail: antennas@antcom.com . <http://www.antcom.com>



SPECIFICATIONS

ELECTRICAL:

	REVISIONS					
	ZONE	REV	DESCRIPTION	DATE	APPROVED	
FREQUENCY:	L1: (1575.42 ±12) MHz			L2: (1227.60 ±12) MHz		
RADIATION PATTERN:	HEMISPHERICAL					
POLARIZATION:	RHCP			RHCP		
VSWR:	< 1.5:1			< 1.5:1		
IMPEDANCE:	50 ohms			50 ohms		
ANTENNA GAIN (dBi):	Free Space	3 in G.P.	4 ft G.P.	Free Space	3 in G.P.	4 ft G.P.
@ 90° (ZENITH):	+ 3.7	+ 4.7	+ 3.1	- 1.7	+ 3.3	+ 4.5
@ 10° Elevation:	- 2.9	- 1.8	- 1.9	- 7.3	- 3.8	- 3.5
@ 20° Elevation:	- 1.3	- 0.3	+ 0.6	- 6.2	- 2.0	- 0.8
@ 30° Elevation:	0.0	+ 1.4	+ 1.7	- 5.2	- 0.5	+ 1.4
@ 60 - 90° Elevation:	> 3.0	> 3.9	> 2.4	> - 3.2	> 2.7	> 2.2
BEAM WIDTH (3dB):	108 Deg.	114 Deg.	143 Deg.	100 Deg.	106 Deg.	74 Deg.
AXIAL RATIO:	2 dB			2 dB		
LIGHTNING PROTECTION:	DC GROUNDING					

LNA OPTION:

LNA GAIN:	20 dB	20 dB
LNA NOISE FIGURE:	1.9 dB	1.8 dB
LNA P1dB Out:	+13 dBm	+13 dBm
LNA DC POWER:	2.5V/10mA, 3V/10mA, 3.3V/12mA, (2.5-24)V/<20mA	
POWER HANDLING:	1 Watt CW, MORE WITH LIMITTER OPTION	

MECHANICAL:

SIZE: LENGTH = 2.10in. [53.34 mm], WIDTH = 2.10in. [53.34 mm]
 HEIGHT: 0.520 in. [13.21 mm]
 WEIGHT: 2.88 oz. (82 g)
 FINISH: SKYDROL RESISTANT POLYURETHANE ENAMEL
 BASE IRIDITE PER MIL-C-5441
 MATERIAL: 6061-T6 ALUMINUM ALLOY BASE
 COMPOSITE RADOME, IMPACT, ABRASION, UV, SOLVENT,
 SKYDROL RESISTANCE, AND FIRE RETARDANT
 CONNECTOR: CABLE / R-MMCX
 (OPTION: SMA, SMB, SMC, SSMA, SSMA, SSMC, SSMP
 MCX, MMCX, TNC, OR N)

ENVIRONMENTAL:

TEMPERATURE: -67 °F TO +185 °F [-55 °C TO +85 °C]
 ALTITUDE: 70,000 ft.
 VIBRATION: > 30 G's
 LEAKAGE: HERMETICALLY SEAL

FEDERAL & MILITARY SPECIFICATIONS:

DESIGN TO: FAA TSO-C144, DO-160D, D0-228, MIL-C-5541,
 MIL-E-5400, MIL-I-45208A, MIL-STD-810, AND SAE J1455
 ACCEPTANCE TEST PROCEDURE: ATP-GPS-L1L2-100

SIZE:	FREQ. BAND:	LNA:	CONFORMAL RADIUS:
1: 2" SQ.	1215: L1/L2	A: WITH 33 dB LNA	X.XX: X.XX in.
1.9: 1.9" SQ.	15: L1 ONLY	A2: WITH 20 dB LNA	
2: 2.6" DIA.		A4: WITH 40 dB LNA	
3: 3.5" DIA.		P: PASSIVE (WITHOUT LNA)	
4: MINI ARINC			

P/N: 2.1CG1215P-1.9RMM-2-1.72-RG178

CABLE'S LENGTH:	CONNECTOR:	COLOR:
X: NO CABLE	S: SMA, T: TNC	-1: GLOSS WHITE #17925 PER FED-STD-595B
#: CABLE LENGTH (IN)	RS: R-SMA, T: TNC	-2: LUSTERLESS GRAY #36320 PER FED-STD-595B
	RMM: R-MMCX	-2R: GRAY #36375 PER FED-STD-595B
	MM: MMCX, SMB, SMC, SSMA, SSMC,	-3: CAMO GREEN #34094 PER FED-STD-595B
	SSMC, SMP: SSMP, HFL	-4: LUSTERLESS BLACK #37038 PER FED-STD-595B
		-5: TAN #33446 PER FED-STD-595B

1	2
1	1
-2	-1
QUANTITY	REVISION
DESCRIPTION	PART NO
SPECIFICATION	MATERIAL
FINISH	TEMP
	NO.

UNLESS OTHERWISE SPECIFIED DIMENSIONS ARE IN INCHES TOLERANCES ARE: FRACTIONS DECIMALS ANGLES ±1/64 .002 .015 .010 ±1°

TOLERANCE SW PER ANS Y14.5 BREAK EXTERNAL EDGES .005 TO .015 SURF FINISH PER MIL-S-8878 DITS ON A DIMENSION < 2" .005 MACHINED SURFACES

DO NOT SCALE DRAWING

ANTCOM CORP. TORRANCE CALIFORNIA

L1/L2 GPS ANTENNA WITH CABLE

D3CVE1 2.1CG1215P-1.9RMM-2-1.72-RG178

SCALE 1/1 SHEET 1 OF 1

NMO Connector Option is Now Available for Some Antennas