



UHF SATCOM & L1/L2-GPS Antenna

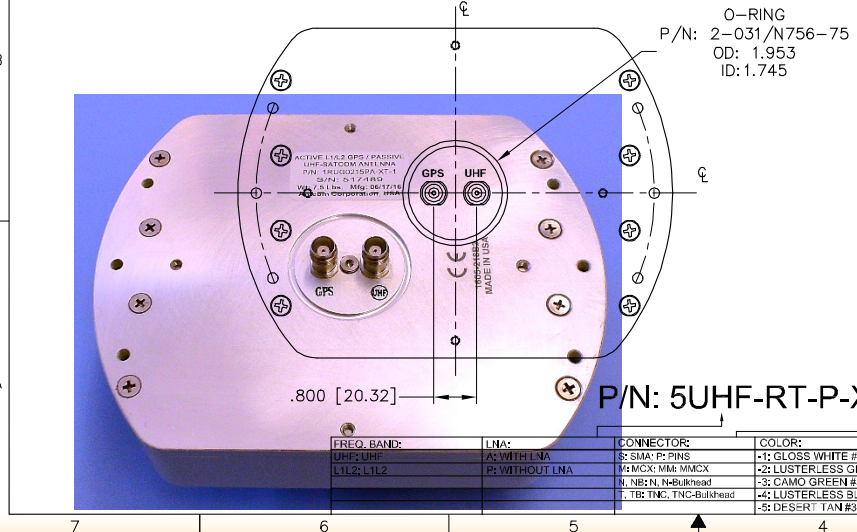
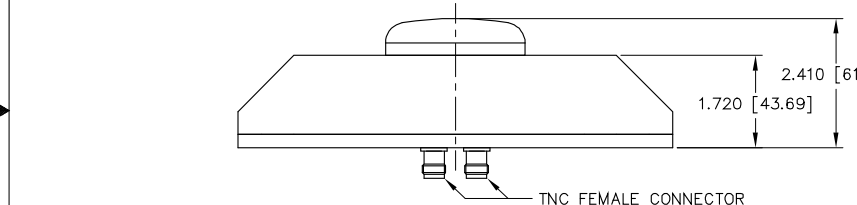
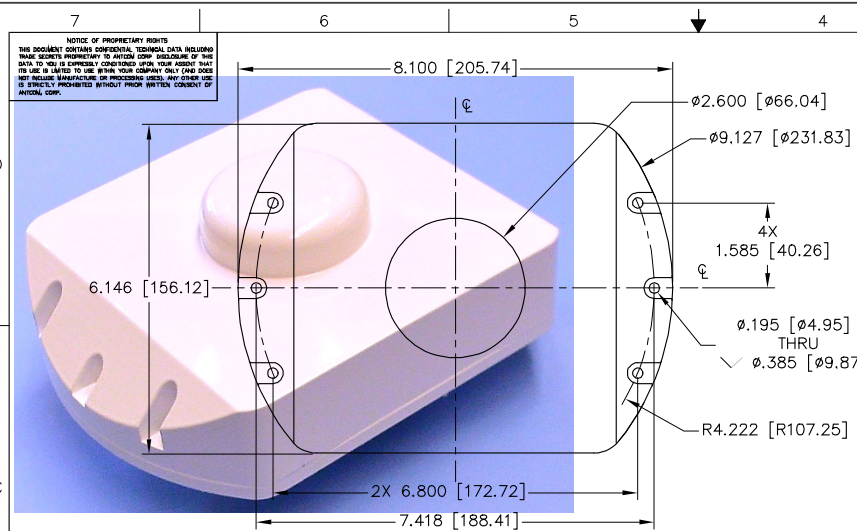
P/N: 5UHF-RT-P-XT-1-L1L2A (or P/N: 1RUG0215PA-XT-X)



Other Frequencies, Connectors and Color Options are Available

ISO 9001:2008/FAA Approved Facility **Antenna Mounts/Adapters:** <http://www.antcom.com/documents/catalogs/PeripheralAntennaProducts2.pdf>

ANTCOM CORPORATION . 367 Van Ness Way, Suite 602 . Torrance, CA 90501, USA . Tel: (310) 782-1076 . Fax: (310) 782-1086 . E-mail: antennas@antcom.com . <http://www.antcom.com>



ELECTRICAL:

SPECIFICATIONS	REVISIONS				
	ZONE	REV	DESCRIPTION	DATE	APPROVED
	A		CHANGED FOOT PRINT OF P/N: 1RUG0215PA-XT-X	05/13/16	S.H.
FREQUENCY (MHz):	UHF (240-500) MHz	L1	L2		
RADIATION PATTERN:	Rx(240-270)/Tx(290-310)	(1575.42 ±15) MHz	(1227.60 ±15) MHz		
POLARIZATION:	RHCP	RHCP	RHCP		
VSWR:	2.0:1	2.0:1	2.0:1		
IMPEDANCE:		50 ohms			
ANTENNA GAIN (dBi):	4 Ft GROUND PLANE	Free Space	4 ft G.P.	Free Space	4 ft G.P.
@ 90 ° (ZENITH):		+ 5.4	+ 2.4	+ 4.1	+ 5.6
@ 10 ° Elevation:		- 1.6	- 1.7	- 3.2	- 2.8
@ 20 ° Elevation:		0.0	+ 0.9	- 1.6	+ 0.5
@ 30 ° Elevation:		+ 1.3	+ 2.0	- 0.3	+ 2.4
@ 60 - 90 ° Elevation:		> 4.2	> 2.5	> 2.7	> 3.6
BEAM WIDTH (3dB):		102 Deg.	145 Deg.	93 Deg.	80 Deg.
AXIAL RATIO:	2 dB	2 dB	2 dB		
LNA GAIN:	(30-40) dB OPTIONAL	33 dB	35 dB		
LNA NOISE FIGURE:		3.0 dB	3.0 dB		
LNA P1dB Out:		+13 dBm	+13 dBm		
LNA DC POWER:		2.5V/20mA, 3V/29mA, 3.3V/35mA, (2.5-24)V/<50mA			
DIPLEXER:	OPTIONAL FOR Tx/Rx				
REJ. @ (-50/+50) MHz		-41 dB / -59 dB	-40 dB / -40 dB		
@ (-100/+100) MHz		< -65 dB	< -65 dB		
LIGHTNING PROTECTION:		DC GROUNDING			
POWER HANDLING:	200 Watt CW				

MECHANICAL:

SIZE: LENGTH: 8.10 in.[205.7 mm] X WIDTH: 6.15 [156.1mm] HEIGHT 2.41 in.[61.21 mm]

WEIGHT: 5.46 Lbs. (2.48 Kg)

FINISH: SKYDROL RESISTANT POLYURETHANE ENAMEL
BASE IRIDITE PER MIL-C-5441F

MATERIAL: 6061-T6 ALUMINUM ALLOY BASE
THERMOSET PLASTIC RADOME, UV, ABRASION AND SKYDROL RESISTANCE

CONNECTOR: TNC FEMALE
(OPTIONAL: SMA, N)

ENVIRONMENTAL:

TEMPERATURE: -67°F TO +185°F [-55°C TO +85°C]

ALTITUDE: 70,000 ft.

VIBRATION: 10 G's

LEAKAGE: HERMETICALLY SEALED

FEDERAL & MILITARY SPECIFICATIONS:

DESIGN TO: DO-160D, MIL-C-5541, MIL-E-5400, MIL-I-45208A, AND MIL-STD-810

REV	DESCRIPTION	PART NO	SPECIFICATION	QTY REQD	REV
1	O-RING	2-031/N756-75			1
6	10-32 SCREW, FLT HD	MS24693-C286			2

UNLESS OTHERWISE SPECIFIED DIMENSIONS ARE IN INCHES FRACTIONS ARE IN 16THS DECIMALS ARE IN 100THS TOLERANCES ARE ± 1/64 ANGLES ARE ± 1°		PARTS LIST	
ORIGINALLY DRAWN	S. HUYNH	DATE	July-20-12
ORIGINALLY DESIGNED	S. HUYNH	DATE	July-20-12
UPDATED	S. HUYNH	DATE	May-12-16
UPDATE DRAWN	F. TRAN	DATE	May-12-16
APPROVED	S. HUYNH	DATE	May-12-16

ANTCOM CORP.	TORRANCE, CALIFORNIA		
UHF SATCOM + L1L2 GPS ANTENNA			
REV	DATE	DESCRIPTION	REV
D	3C/E1	5UHF-RT-P-XT-1-L1L2A	A
SCALE 1/1		SHEET 1 OF 1	

NMO Connector Option is Now Available for Some Antennas