



FAA Approved Facility

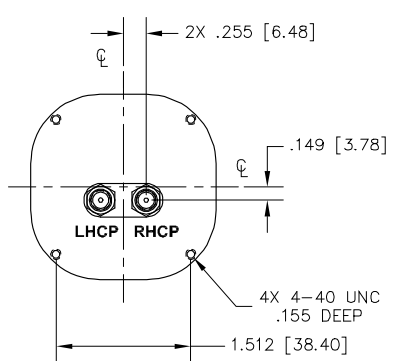
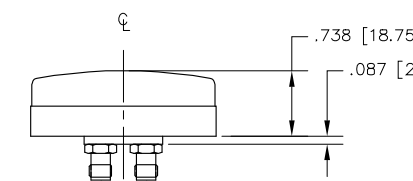
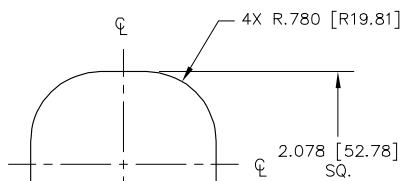
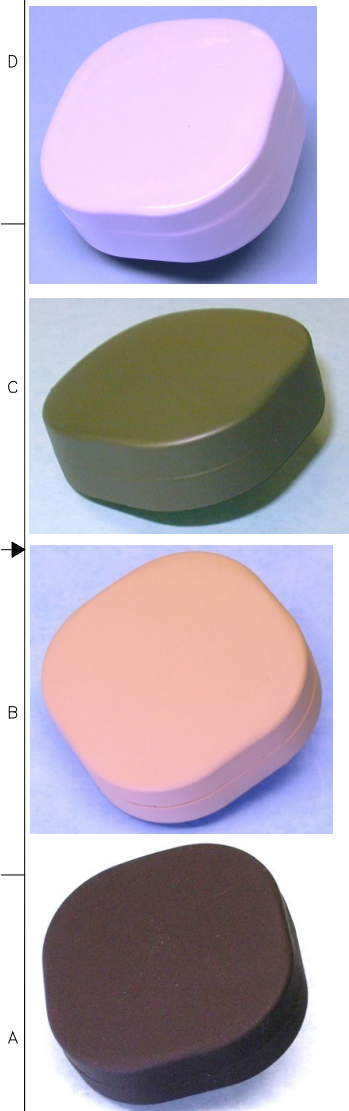
RHCP/LHCP L1/L2GPS Antenna, P/N: 1G1215RL-PP-XS-X Rev B Dual Linear (V/H) L1/L2GPS Antenna, P/N: 1G1215VH-PP-XS-X Rev B 2" Square Configurations with Back Mounting Option

Antenna Mounts: <http://www.antcom.com/documents/catalogs/PeripheralAntennaProducts2.pdf>



ANTCOM CORPORATION . 367 Van Ness Way, Suite 602 . Torrance, CA 90501 . Tel: (310) 782-1076 . Fax: (310) 782-1086 . E-mail: antennas@antcom.com . <http://www.antcom.com>

NOTICE OF PROPRIETARY RIGHTS
THIS DOCUMENT CONTAINS CONFIDENTIAL TECHNICAL DATA INCLUDING TRADE SECRETS PROPRIETARY TO ANTCOM CORP. DISCLOSURE OF THIS DATA TO YOU IS EXPRESSLY CONSIDERED YOUR ASSENT THAT ITS USE IS LIMITED TO USE WITHIN YOUR COMPANY ONLY AND DOES NOT INCLUDE MANUFACTURE OR REPRODUCING USED, ANY OTHER USE IS STRICTLY PROHIBITED WITHOUT PRIOR WRITTEN CONSENT OF ANTCOM CORP.



SPECIFICATIONS

ZONE	REV	REVISIONS			
		DESCRIPTION	DATE	APPROVED	
A		INITIAL	05/29/01	S.H.	
B		HEIGHT	11/28/17	D.R.	

ELECTRICAL:		L1: (1575.42 ±12) MHz		L2: (1227.60 ±12) MHz			
FREQUENCY:							
RADIATION PATTERN:		HEMISPHERICAL					
POLARIZATION:		RHCP/LHCP		RHCP/LHCP			
VSWR:		< 1.5:1		< 1.5:1			
IMPEDANCE:		50 ohms		50 ohms			
ANTENNA GAIN (dBi):		Free Space	3 in G.P.	4 ft G.P.	Free Space		
@ 90 ° (ZENITH):		+ 3.7	+ 4.7	+ 3.1	- 1.7	+ 3.3	+ 4.5
@ 10 ° Elevation:		- 2.9	- 1.8	- 1.9	- 7.3	- 3.8	- 3.5
@ 20 ° Elevation:		- 1.3	- 0.3	+ 0.6	- 6.2	- 2.0	- 0.8
@ 30 ° Elevation:		0.0	+ 1.4	+ 1.7	- 5.2	- 0.5	+ 1.4
@ 60 - 90 ° Elevation:		> 3.0	> 3.9	> 2.4	> - 3.2	> 2.7	> 2.2
BEAM WIDTH (3dB):		108 Deg.	114 Deg.	143 Deg.	100 Deg.	106 Deg.	74 Deg.
AXIAL RATIO:		2 dB		2 dB			
LIGHTNING PROTECTION:		DC GROUNDING					
LNA GAIN OPTION:		33 dB		35 dB			
LNA NOISE FIGURE:		3.0 dB		3.0 dB			
LNA P1dB Out:		+13 dBm		+13 dBm			
LNA DC POWER:		2.5V/20mA, 3V/29mA, 3.3V/35mA, (2.5-24V)/<50mA					
REJECTION @ (-50/+50) MHz		-41 dB / -59 dB		-40 dB / -40 dB			
@ (-100/+100) MHz		< -65 dB					
POWER HANDLING:		1 Watt CW, Optional: 10 Watts 1 microsec Pulse (-AL-)					

MECHANICAL:	
SIZE:	LENGTH: 2.080 in. [52.78 mm], WIDTH: 2.080 in. [52.78 mm] HEIGHT: 0.738 in. [18.75 mm]
WEIGHT:	2.88 oz. (82 g)
FINISH:	SKYDROL RESISTANT POLYURETHANE ENAMEL BASE IRIDITE PER MIL-C-5441F
MATERIAL:	6061-T6 ALUMINUM ALLOY BASE COMPOSITE RADOME, IMPACT, ABRASION, UV, SOLVENT, SKYDROL RESISTANCE, AND FIRE RETARDANT
CONNECTOR:	SMA FEMALE (OPTION: TNC, TNC-Bulkhead, N, MCX, MMCX, or Cable)

ENVIRONMENTAL:	
TEMPERATURE:	-67 °F TO +185 °F [-55 °C TO +85 °C]
ALTITUDE:	70,000 ft.
VIBRATION:	> 30 G's
LEAKAGE:	HERMETICALLY SEAL

FEDERAL & MILITARY SPECIFICATIONS:	
DESIGN TO:	FAA TSO-C144, DO-160D, D0-228, MIL-C-5541, MIL-E-5400, MIL-I-45208A, MIL-STD-810, AND SAE J1455
ACCEPTANCE TEST PROCEDURE:	ATP-GPS-L1L2-100

SIZE:	FREQ. BAND:	POLARIZATION:	LNA:
1: 2" SQ.	1215: L1/L2	R: RHCP/LHCP	A: WITH LNA
1.9: 1.9" SQ.	1S: L1 ONLY	V: VER/HOR.	AL: WITH LNA/LIMITER
2: 2.6" DIA.			P: WITHOUT LNA
3: 3.5" DIA.			PL: WITHOUT LNA and THINNER (HEIGHT = 0.58")
4: MINI ARINC			

QUANTITY	RECORD	DESCRIPTION	PART NO	MATERIAL	FINISH	ITEM NO
1		ADHESIVE GASKET	123450-3M-1G	-	-	1

UNLESS OTHERWISE SPECIFIED	DRAWN:
DIMENSIONS ARE IN INCHES	S. Huynh
FRACTIONS DECIMALS ANGLES	May-29-06
TOLERANCES	P. TRAN
± .1/64	Nov-28-17
.004 .005	
± .1°	
TOLERANCE 5M PER ANS Y14.5	EE: S. Huynh
REMOVE ALL BURRS	May-29-06
BREAK EDGED EDGES .005 TO .015	MF: R. ROA
USE W. DIMENSIONS PER MIL-STD-887C	Nov-28-17
BASED ON A CONFORM TO 2005	QA: L. DISONGLD
MACHINED SURFACES	Nov-28-17
	APPROVED: D. REID
	Nov-28-17

ANTCOM CORP. TORRANCE CALIFORNIA	
OUTLINE DRAWING	
L1/L2 ACTIVE or PASSIVE	
RHCP/LHCP GPS ANTENNA	
DWG NO: D13CEV1	REV: 1
PART NO: 1G1215RL-PP-XS-X	REV: B
SCALE: 1/1	SHEET 1 OF 1

CABLE LENGTH:	CONNECTOR:	COLOR:
X: NO CABLE	S: SMA; P: PINS	-1: GLOSS WHITE #17925 PER FED-STD-595B
M: MAG, N: NO MAG,	M: MCX; MM: MMCX	-2: LUSTERLESS GRAY #38320 PER FED-STD-595B
#: CABLE LENGTH (IN)	N, NB: N; N-Bulkhead	-3: CAMO GREEN #34094 PER FED-STD-595B
R: RIGHT ANGLE CON.	T, TB: TNC, TNC-Bulkhead	-4: LUSTERLESS BLACK #37038 PER FED-STD-595B
		-5: DESERT TAN #33446 PER FED-STD-595B

NOTES: UNLESS OTHERWISE SPECIFIED:

<http://www.antcom.com/documents/catalogs/PeripheralAntennaProducts1.pdf> (Amplifiers/Power Divider/Combiner/Filters)