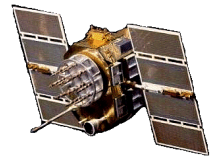









Active L1/L2 GPS Antennas, P/N: 1G1215A-XTNB-3-DO (Double O-Ring)
P/N: 1G1215A-XTNB-3-DO-PSW (Double O-Ring & with Painted Side Wall on Base)
2" Square, Back Mount, Bottom Center Connector Configuration

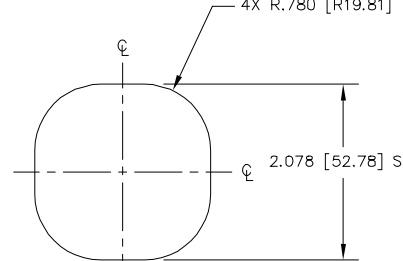
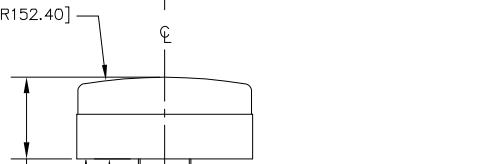
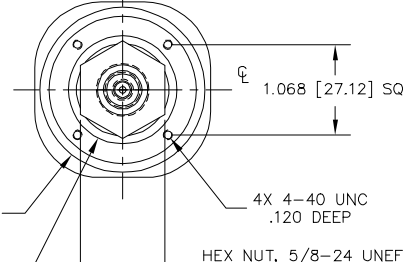


ISO 9001:2008/FAA Approved Facility Antenna Mounts: <http://www.antcom.com/documents/catalogs/PeripheralAntennaProducts2.pdf>

ANTCOM CORPORATION . 367 Van Ness Way, #602 . Torrance, CA 90501 . Tel: (310) 782-1076 . Fax: (310) 782-1086 . E-mail: antennas@antcom.com . <http://www.antcom.com>

NOTICE OF PROPRIETARY RIGHTS		SPECIFICATIONS		REVISIONS	
THIS DOCUMENT CONTAINS CONFIDENTIAL TECHNICAL DATA INCLUDING TRADE SECRETS PROPRIETARY TO ANTCOM CORP. DISCLOSURE OF THIS DATA TO YOU IS EXPRESSLY CONDITIONED UPON YOUR ASSENT THAT YOU WILL BE LIMITED TO USE OF THIS INFORMATION ONLY FOR THE PURPOSES FOR WHICH IT WAS SUPPLIED TO YOU. ANY OTHER USE IS STRICTLY PROHIBITED WITHOUT PRIOR WRITTEN CONSENT OF ANTCOM CORP.				ZONE	REV
				A	1
				DATE	APPROVED
				05/23/16	S.H.

ELECTRICAL:

	L1: (1575.42 ±15) MHz			L2: (1227.60 ±15) MHz		
FREQUENCY:						
RADIATION PATTERN:	HEMISPHERICAL			HEMISPHERICAL		
POLARIZATION:	RHCP			RHCP		
VSWR:	< 1.5:1			< 1.5:1		
IMPEDANCE:	50 ohms			50 ohms		
ANTENNA GAIN (dBic):	Free Space	3 in G.P.	4 ft G.P.	Free Space	3 in G.P.	4 ft G.P.
@ 90° (ZENITH):	+ 3.7	+ 4.7	+ 3.1	- 1.7	+ 3.3	+ 4.5
@ 10° Elevation:	- 2.9	- 1.8	- 1.9	- 7.3	- 3.8	- 3.5
@ 20° Elevation:	- 1.3	- 0.3	+ 0.6	- 6.2	- 2.0	- 0.8
@ 30° Elevation:	0.0	+ 1.4	+ 1.7	- 5.2	- 0.5	+ 1.4
@ 60 - 90° Elevation:	> 3.0	> 3.9	> 2.4	> - 3.2	> 2.7	> 2.2
BEAM WIDTH (3dB):	108 Deg.	114 Deg.	143 Deg.	100 Deg.	106 Deg.	74 Deg.
AXIAL RATIO:	2 dB			2 dB		
LIGHTNING PROTECTION:	DC GROUNDING					
LNA GAIN:	33 dB			35 dB		
LNA NOISE FIGURE:	3.0 dB			3.0 dB		
LNA P1dB Out:	+13 dBm			+13 dBm		
LNA DC POWER:	2.5V/20mA, 3V/29mA, 3.3V/35mA, (2.5-24V)/<50mA					
REJECTION @ (-50/+50) MHz	-41 dB / -59 dB			-40 dB / -40 dB		
@ (-100/+100) MHz	< -65 dB			< -65 dB		
POWER HANDLING:	1 Watt CW, Optional: 10 Watts 1 microsec Pulse (-AL-)					

MECHANICAL:

SIZE: LENGTH: 2.080 in. [52.78 mm], WIDTH: 2.080 in. [52.78 mm]
 HEIGHT: 0.964 in. [24.49 mm], 0.84" [21.23] (Optional for Passive)

WEIGHT: 5.5 oz. Max. (155.9 g. Max.)

FINISH: SKYDROL RESISTANT POLYURETHANE ENAMEL
 BASE IRIDITE PER MIL-C-5441, With Radome matching color

MATERIAL: 6061-T6 ALUMINUM ALLOY BASE
 COMPOSITE RADOME, IMPACT, ABRASION, UV, SOLVENT, SKYDROL RESISTANCE, AND FIRE RETARDANT

CONNECTOR: TNB BULKHEAD FEMALE
 (OPTION: SMA, TNC, N, N-Bulkhead, MCX, MMCX, or BNC)

ENVIRONMENTAL:

TEMPERATURE: -67 °F TO +185 °F [-55 °C TO +85 °C]
 ALTITUDE: 70,000 ft.
 VIBRATION: > 30 G's
 LEAKAGE: HERMETICALLY SEAL

FEDERAL & MILITARY SPECIFICATIONS:

DESIGN TO: FAA TSO-C144, DO-160D, D0-228, MIL-C-5541, MIL-E-5400, MIL-I-45208A, MIL-STD-810, AND SAE J1455

ACCEPTANCE TEST PROCEDURE: ATP-GPS-L1L2-100

SIZE:	FREQ. BAND:	LNA:	1	O-RING	MS28775-024 (Item 553)	-	-	3
1: 2" SQ.	1215; L1/L2	A: WITH LNA; A4: WITH 40 DB LNA WITHOUT REJECTION FILTERS	1	O-RING	2-031/N756-75 (Item 550)	-	-	2
1.9; 1.9" SQ.	15; L1 ONLY	AL: WITH LNA/LIMITER	1	ADHESIVE GASKET	12345G-3M-1G (Item 544g)	-	-	1
2: 2.6" DIA.		P: WITHOUT LNA						
3: 3.5" DIA.		PL: WITHOUT LNA AND THINNER (0.58" THICK)						
4: MINI ARINC		A2: WITH 20 DB LNA WITHOUT REJECTION FILTERS						

P/N: 1G1215A-XTNB-3-DO

CABLE'S LENGTH:	CONNECTOR:	COLOR:
X: NO CABLE	RSC: R-SMA; SC: SMA	-1: GLOSS WHITE #17925 PER FED-STD-595B
M: MAG. N; NO MAG.	MC: MCX; MMC: MMCX; PC: PINS	-2: LUSTERLESS GRAY #36320 PER FED-STD-595B
	MC: MCX; N: N-Bulkhead	-3: OLIVE DRAB GREEN #34088 PER FED-STD-595B
	TG: TNC; TNC: TNC-Bulkhead	-4: LUSTERLESS BLACK #37038 PER FED-STD-595B
	TH: TNC-Bulkhead with Connector Thread on Bulkhead	-5: TAN #1: FS 23446 or 33446, FED-STD-595

UNLESS OTHERWISE SPECIFIED DIMENSIONS ARE IN INCHES	ORIGINAL DRAWN	S. HUYNH	MON-19-09
FRACTIONS: DECIMALS: ANGLES: 1/64 .001 .005 1°	ORIGINALLY DESIGNED	S. HUYNH	May-24-16
TOLERANCE SW PER AND Y14.5	UPDATED	S. HUYNH	May-24-16
REMOVE ALL BURRS	ISSUE DRAWN	P. TRAN	May-24-16
BREAK EXTERNAL EDGES .005 TO .015	APPROVED	S. HUYNH	May-24-16
SCREW HEADS PER MIL-C-8879			
DRILL DIA. IN A COMMON & .01 DIA			
MACHINED SURFACES 125°			
DO NOT SCALE DRAWING			

ANTCOM CORP. TORRANCE, CALIFORNIA

Center Connector,
 2in Square Active
 L1/L2 GPS ANTENNA

D13CVE1 1G1215A-XTNB-X-DO

SCALE 1/1 SHEET 1 OF 1

NMO Connector Option is Now Available for Some Antennas