



FAA Approved Facility


L1/L2 GPS/L-Band (1-2 GHz) Helix Antenna, P/N: 18x6.3H1215R-P-XS-1

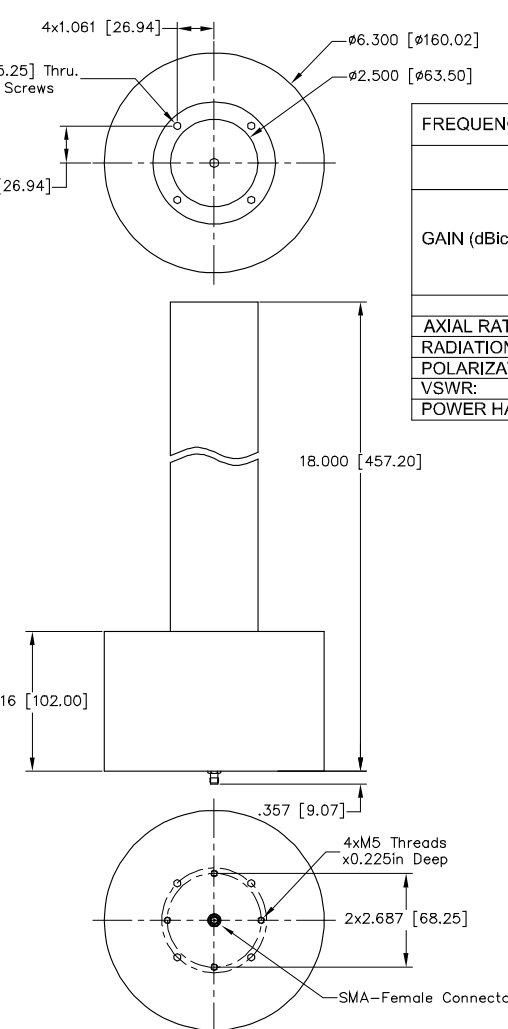
2.5" Diameter x 18" Tall, Front/Back Mount Configuration, *for Space Applications*
with SMA, TNC, N, or BNC Connector Options



Antenna Mounts: <http://www.antcom.com/documents/catalogs/PeripheralAntennaProducts2.pdf>

ANTCOM CORPORATION . 367 Van Ness Way, Suite 602 . Torrance, CA 90501 . Tel: (310) 782-1076 . Fax: (310) 782-1086 . E-mail: antennas@antcom.com . <http://www.antcom.com>





SPECIFICATIONS

ELECTRICAL:

FREQUENCY (MHz):	L5 GPS E5, E5a, E5b, Galileo L5 IRNSS	L2 GPS B2 Compass	L2 GLONASS E0 Galileo B3 Compass	OmnISTAR / L-Band L6 Galileo B1 Compass	L1 GPS E1, E2 Galileo L1 IRNSS	L1 GLONASS
	1176.45 ± 12.0 MHz 1164.45 - 1219.14 MHz 1176.45 ± 15.0 MHz	1227.60 ± 12.0 MHz 1207.14 ± 10.0 MHz	1252.50 ± 7.5 MHz 1266.75 - 1290.75 MHz 1268.52 ± 10.0 MHz	1542.50 ± 14.0 MHz 1542.50 ± 5.0 MHz 1561.098 ± 10.0 MHz	1575.42 ± 15.0 MHz 1575.42 ± 17.0 MHz 1575.42 ± 12.0 MHz	(1598 - 1606) MHz

GAIN (dBic) in FS: + 11.5 dBic

AXIAL RATIO (dB): 1 to 2

RADIATION PATTERN: HEMISPHERICAL

POLARIZATION: RHCP

VSWR: < 1.7 : 1

POWER HANDLING: 200 watts

MECHANICAL:

SIZE: TOP DIA: = 2.50 in [63.50 mm], BASE DIA = 3.50 in[88.90 mm]
HEIGHT = 18 in. [457 mm]

WEIGHT: 16.2 oz. (460 +/-10) grams

FINISH: SKYDROL RESISTANT POLYURETHANE ENAMEL
BASE IRIDITE PER MIL-C-5541F TYPE II CLASS 1A

COLOR: GLOSS WHITE #17925 PER FED-STD-595B
LUSTERLESS GRAY #36320 PER FED-STD-595B
OLIVE DRAB GREEN #34031 PER FED-STD-595B
LUSTERLESS BLACK #37038 PER FED-STD-595B

MATERIAL: 6061-T6 ALUMINUM ALLOY BASE
COMPOSITE RADOME, IMPACT, ABRASION, UV, SOLVENT,
AND SKYDROL RESISTANCE, FIRE RETARDANT

CONNECTOR: SMA-Female
(OPTION: TNC, TNC-Bulkhead, N, N-Bulkhead, BNC)

ENVIRONMENTAL:

TEMPERATURE: -166 °F TO +248 °F [-110 °C TO +120 °C]

ALTITUDE: 70,000 ft.

VIBRATION: > 30 G's

FEDERAL & MILITARY SPECIFICATIONS:

DESIGN TO: FAA TSO-C144, DO-160D, D0-228, MIL-C-5541F,
MIL-E-5400, MIL-I-45208A, MIL-STD-810, AND SAE J1455

ZONE	REV	DESCRIPTION	DATE	APPROVED
4		MOUNTING SCREW: (M5 Pan Head Phillips, 10mm)		90116A250
4		MOUNTING SCREW: (M5 Pan Head Phillips, 20mm)		90116A260
-1		DESCRIPTION		PART NO

QUANTITY REQD	DESCRIPTION	PARTS LIST	PART NO	FINISH	NEW
4	MOUNTING SCREW: (M5 Pan Head Phillips, 10mm)		90116A250		1
4	MOUNTING SCREW: (M5 Pan Head Phillips, 20mm)		90116A260		1

UNLESS OTHERWISE SPECIFIED DIMENSIONS ARE IN INCHES		ANTCOM CORP. TORRANCE, CALIFORNIA	
FRACTIONS DECIMALS ANGLES			
1/64	0.015 ± 1'	DESIGNED	HIGH GAIN GPS/GLONASS/IRIDIUM/ INMARSAT HELIX ANTENNA
TOLERANCE SYM PER ANSI Y14.5		ENGINEER	
REMOVE ALL BURRS		APPROVED S. HUYNH	
BREAK EXTERNAL EDGES 0.05 TO 0.15		DEC-07-09	
FILED IN JOB TR & CAD		DATE	18x2.5H1215R-P-XS-1
SOFT DIMENSIONS PER MIL-C-8879		DO FILE NO	SCALE 1/1
BASED ON A COMMON 1/8" GRID		SCALE	SHEET 1 OF 1
MACHINED SURFACES			
DO NOT SCALE DRAWING			

HIGH (in):	POLARIZATION:	LNA:	CABLE'S LENGTH:	CONNECTOR:	COLOR:
	LL: TX: LHCP, RX: LHCP LR: TX: LHCP, RX: RHCP RL: TX: RHCP, RX: LHCP RR: TX: RHCP, RX: RHCP R: RHCP L: LHCP	A1: WITH +34 dB LNA P: WITHOUT LNA	X: NO CABLE M: WITH MAG. MOUNT #: CABLE LENGTH (IN) R: RIGHT ANGLE CON.	S: SMA: P: PINS M: MCX: MN: MMCX N: N: NB: N-Bulkhead T: TNC: TB: TNC-Bulkhead	-1: GLOSS WHITE #17925 PER FED-STD-595B -2: LUSTERLESS GRAY #36320 PER FED-STD-595B -3: OLIVE DRAB GREEN #34031 PER FED-STD-595B -4: LUSTERLESS BLACK #37038 PER FED-STD-595B

P/N: 18x2.5H1215R-P-XS-1