



FAA Approved Facility

L1/L2 GPS/L-Band (1-2 GHz) Helix Antenna, P/N: 18x6.3H1215R-P-XS-1

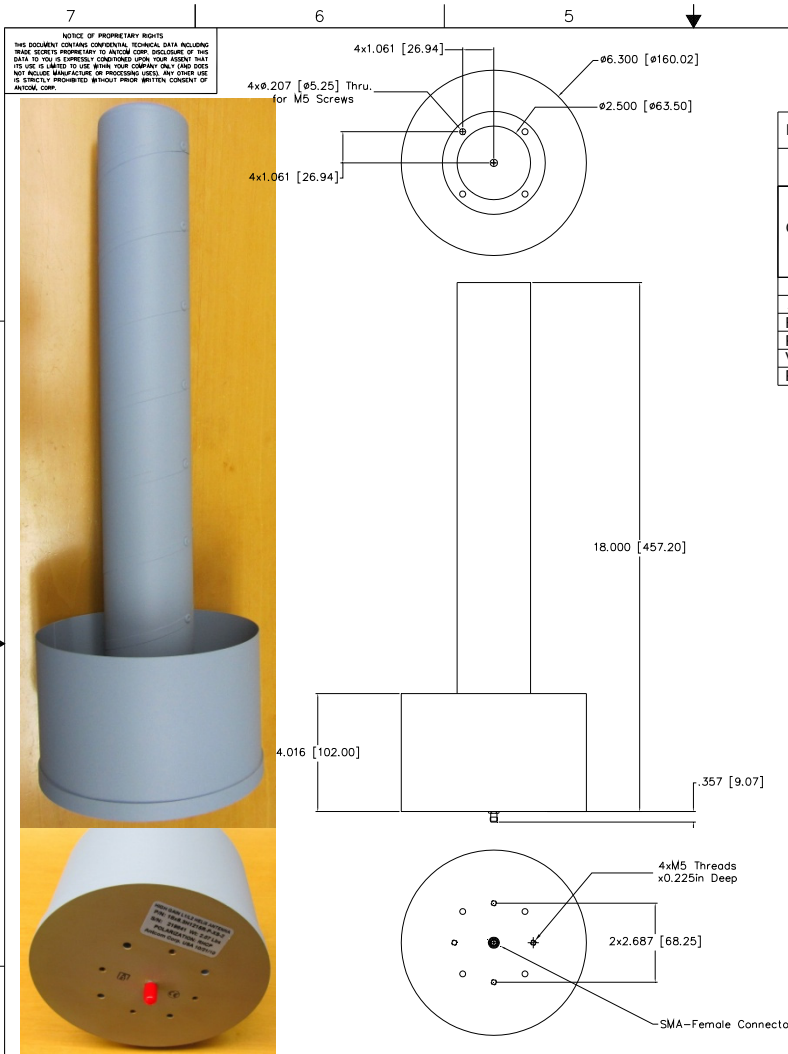
2.5" Diameter x 18" Tall, Front/Back Mount Configuration, *for Space Applications*

with SMA, TNC, N, or BNC Connector Options

Antenna Mounts/Adapters: <http://www.antcom.com/documents/catalogs/PeripheralAntennaProducts2.pdf>



ANTCOM CORPORATION . 367 Van Ness Way, Suite 602 . Torrance, CA 90501 . Tel: (310) 782-1076 . Fax: (310) 782-1086 . E-mail: antennas@antcom.com . <http://www.antcom.com>



HIGH (in):	POLARIZATION: LL: TX: LHCP, RX: LHCP LR: TX: RHCP, RX: RHCP RL: TX: RHCP, RX: LHCP RR: TX: RHCP, RX: RHCP R: RHCP L: LHCP	LNA: A1: WITH +34 dB LNA P: WITHOUT LNA	CABLE'S LENGTH: X: NO CABLE M: WITH MAG. MOUNT #: CABLE LENGTH (IN) R: RIGHT ANGLE CON.	CONNECTOR: S: SMA, P: PINS M: MCX, MM, MMCX N: N, NB: N-Bulkhead T: TNC, TB: TNC- Bulkhead	COLOR: -1: GLOSS WHITE #17925 PER FED-STD-595B -2: LUSTERLESS GRAY #36320 PER FED-STD-595B -3: OLIVE DRAB GREEN #34031 PER FED-STD-595B -4: LUSTERLESS BLACK #37038 PER FED-STD-595B
------------	---	---	---	--	--

P/N: 18x6.3H1215R-P-XS-1

SPECIFICATIONS

FREQUENCY (MHz):	L5 GPS E5, E5a, E5b, Galileo L5 IRNSS	L2 GPS B2 Compass	L2 GLONASS E6 Galileo E9 Compass	OmniSTAR / L-Band L6 Galileo B1 Compass	L1 GPS E1, E2 Galileo L1 IRNSS	L1 GLONASS
	1176.45 ± 12.0 MHz 1164.45 - 1219.14 MHz 1176.45 ± 15.0 MHz	1227.60 ± 12.0 MHz 1207.14 ± 10.0 MHz	1252.50 ± 7.5 MHz 1266.75 - 1290.75 MHz 1268.52 ± 10.0 MHz	1542.50 ± 14.0 MHz 1542.50 ± 5.0 MHz 1561.098 ± 10.0 MHz	1575.42 ± 15.0 MHz 1575.42 ± 17.0 MHz 1575.42 ± 12.0 MHz	1609.0 ± 7.0 MHz
GAIN (dBic) in FS	+ 11.5 dBic					
AXIAL RATIO (dB)	1 to 2					
RADIATION PATTERN:	HEMISPHERICAL					
POLARIZATION:	RHCP					
VSWR:	< 1.7 : 1					
POWER HANDLING:	200 watts					

MECHANICAL:

SIZE: TOP DIA = 2.50 in [63.50 mm], BASE DIA = 6.30 in[160.02 mm]
 HEIGHT = 18 in. [457 mm]
 WEIGHT: 16.75 oz. (475 +/-10) grams
 FINISH: SKYDROL RESISTANT POLYURETHANE ENAMEL
 BASE IRIDITE PER MIL-C-5541F TYPE II CLASS 1A
 COLOR: GLOSS WHITE #17925 PER FED-STD-595B
 LUSTERLESS GRAY #36320 PER FED-STD-595B
 OLIVE DRAB GREEN #34031 PER FED-STD-595B
 LUSTERLESS BLACK #37038 PER FED-STD-595B
 MATERIAL: 6061-T6 ALUMINUM ALLOY BASE
 COMPOSITE RADOME, IMPACT, ABRASION, UV, SOLVENT,
 AND SKYDROL RESISTANCE, FIRE RETARDANT
 CONNECTOR: SMA-Female
 (OPTION: TNC, TNC-Bulkhead, N, N-Bulkhead, BNC)

ENVIRONMENTAL:

TEMPERATURE: -166 °F TO +248 °F [-110 °C TO +120 °C]
 ALTITUDE: 70,000 ft.
 VIBRATION: > 30 G's

FEDERAL & MILITARY SPECIFICATIONS:

DESIGN TO: FAA TSO-C144, DO-160D, D0-228, MIL-C-5541F, MIL-E-5400, MIL-I-45208A, MIL-STD-810, AND SAE J1455

QUANTITY REQD	DESCRIPTION	PARTS LIST	PART NO	FINISH	ITEM NO
4	MOUNTING SCREW: (M5 Pan Head Phillips, 10mm)		90116A250	-	5
4	MOUNTING SCREW: (M5 Pan Head Phillips, 20mm)		90116A260	-	4
1					3
1					2
1					1

UNLESS OTHERWISE SPECIFIED DIMENSIONS ARE IN INCHES

FRACTIONS TO BE DECIMALS ANGLES ± 1'

± 1/64 .0005 ± .005

TOLERANCE SMI PER AMS Y14.5

REMOVE ALL BURRS BREAK EXTERNAL EDGES .000 TO .015 FILLETS R .005 TO R .250 SQUARE THREADS PER UNF-3-8719 DIA'S ON A COPLANAR ± .005

MACHINED SURFACES

DO NOT SCALE DRAWING

ANTCOM CORP. TORRANCE, CALIFORNIA

HIGH GAIN GPS/GLONASS/IRIDIUM/INMARSAT HELIX ANTENNA

DRAWN: S. HUYNH
 CHECKED: S. HUYNH
 ENGINEER: S. HUYNH
 APPROVED: S. HUYNH
 DATE: DEC-07-09

SHEET 1 OF 1

NMO Connector Option is Now Available for Some Antennas