



FAA Approved Facility

# L1/L2 GPS/L-Band (1-2 GHz) Helix Antenna, P/N: 18x2.5H1215R-P-XN-1-J

## 500 watts, Low side/Back Lobes for Jamming Applications

### 2.5" Diameter x 18" Tall, Back Mount Configuration, with N, SMA, TNC, or BNC Connector Options



Antenna Mounts: <http://www.antcom.com/documents/catalogs/PeripheralAntennaProducts2.pdf>

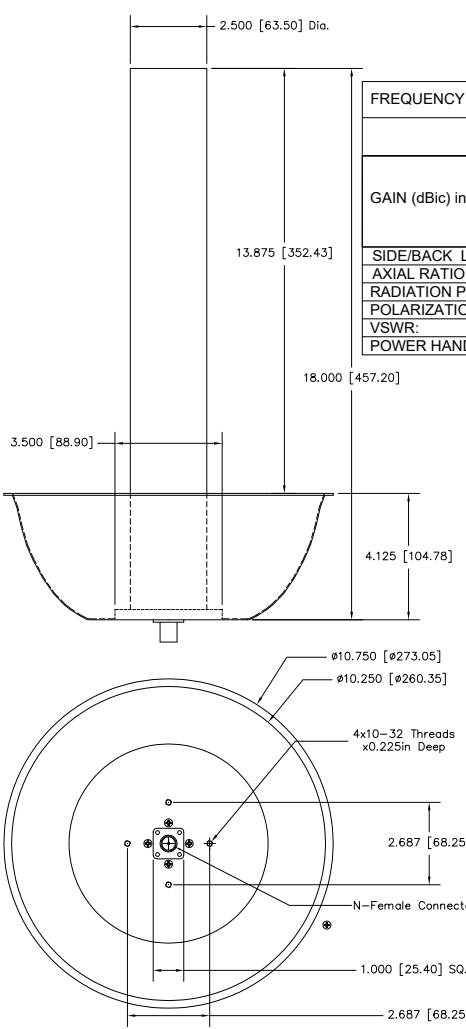


ANTCOM CORPORATION . 367 Van Ness Way, Suite 602 . Torrance, CA 90501 . Tel: (310) 782-1076 . Fax: (310) 782-1086 . E-mail: [antennas@antcom.com](mailto:antennas@antcom.com) . <http://www.antcom.com>

NOTICE OF PROPRIETARY RIGHTS		REVISIONS				
THIS DOCUMENT CONTAINS CONFIDENTIAL, TECHNICAL DATA INCLUDING TRADE SECRETS PROPRIETARY TO ANTCOM CORP. REUSE OF THIS DATA BY YOU IS EXPRESSLY PROHIBITED UNLESS YOUR AGENT THAT ITS USE IS LIMITED TO USE WITHIN YOUR COMPANY ONLY (AND DOES NOT INCLUDE MANUFACTURE OR PROCESSING USES). ANY OTHER USE IS STRICTLY PROHIBITED WITHOUT PRIOR WRITTEN CONSENT OF ANTCOM CORP.		ZONE	REV	DESCRIPTION	DATE	APPROVED



#### SPECIFICATIONS

FREQUENCY (MHz):	L5 GPS E5, E5a, E5b, Galileo L5 IRNSS	L2 GPS B2 Compass	L2 GLONASS E6 Galileo B3 Compass	OmniSTAR / L-Band L6 Galileo B1 Compass	L1 GPS E1, E2 Galileo L1 IRNSS	L1 GLONASS
	1176.45 ± 12.0 MHz 1164.45 ± 12.0 MHz 1176.45 ± 15.0 MHz	1227.60 ± 12.0 MHz 1207.14 ± 10.0 MHz	1252.50 ± 7.5 MHz 1265.75 ± 1200.75 MHz 1268.52 ± 10.0 MHz	1542.50 ± 14.0 MHz 1542.50 ± 5.0 MHz 1561.098 ± 10.0 MHz	1575.42 ± 15.0 MHz 1575.42 ± 17.0 MHz 1575.42 ± 12.0 MHz	1609.0 ± 7.0 MHz
GAIN (dBic) in FS	> + 10.5 dBic					
SIDE/BACK LOBES:	< -20 dB					
AXIAL RATIO (dB)	1 to 2					
RADIATION PATTERN:	HEMISPHERICAL					
POLARIZATION:	RHCP					
VSWR:	< 1.7 : 1					
POWER HANDLING	500 watts					

#### MECHANICAL:

SIZE: TOP DIA = 2.50 in [ 63.50 mm], BASE DIA = 3.50 in [ 88.90 mm]  
 HEIGHT = 18 in. [457 mm]  
 WEIGHT: 33.5 oz. (950 g)  
 FINISH: SKYDROL RESISTANT POLYURETHANE ENAMEL  
 BASE IRIDITE PER MIL-C-5541F TYPE II CLASS 1A  
 COLOR: GLOSS WHITE #17925 PER FED-STD-595B  
 LUSTERLESS GRAY #36320 PER FED-STD-595B  
 OLIVE DRAB GREEN #34031 PER FED-STD-595B  
 LUSTERLESS BLACK #37038 PER FED-STD-595B  
 MATERIAL: 6061-T6 ALUMINUM ALLOY BASE  
 COMPOSITE RADOME, IMPACT, ABRASION, UV, SOLVENT, AND SKYDROL RESISTANCE, FIRE RETARDANT  
 CONNECTOR: N-Female  
 (OPTION: TNC, SMA, N-Bulkhead, BNC)

#### ENVIRONMENTAL:

TEMPERATURE: -67 °F TO +185 °F [-55 °C TO +85 °C]  
 ALTITUDE: 70,000 ft.  
 VIBRATION: > 30 G's  
 LEAKAGE: HERMETICALLY SEALED

#### FEDERAL & MILITARY SPECIFICATIONS:

DESIGN TO: FAA TSO-C144, DO-160D, D0-228, MIL-C-5541F, MIL-E-5400, MIL-I-45208A, MIL-STD-810, AND SAE J1455

QTY	DESCRIPTION	PART NO	THRU NO.
8	MOUNTING SCREW: (10-32 Pan Head Phillips, 1/4")	MS51958-59	5
1	Pipe Mount (Item 482m, without Thread insert)	MTR-2-mod	4
1			3
1			2
1			1

PROPERTY	VALUE
HIGH (in):	18.000 [457.20]
POLARIZATION:	L: LHCP
LNA:	A1: WITH +34 dB LNA
CABLE'S LENGTH:	X: NO CABLE
CONNECTOR:	S: SMA; P: PINS
COLOR:	1: GLOSS WHITE #17925 PER FED-STD-595B
	2: LUSTERLESS GRAY #36320 PER FED-STD-595B
	3: OLIVE DRAB GREEN #34031 PER FED-STD-595B
	4: LUSTERLESS BLACK #37038 PER FED-STD-595B

PROPERTY	VALUE
POLARIZATION:	L: LHCP
LNA:	P: WITHOUT LNA
CABLE'S LENGTH:	R: RIGHT ANGLE CON.
CONNECTOR:	T: TNC; TB: TNC- Bulkhead
COLOR:	1: GLOSS WHITE #17925 PER FED-STD-595B
	2: LUSTERLESS GRAY #36320 PER FED-STD-595B
	3: OLIVE DRAB GREEN #34031 PER FED-STD-595B
	4: LUSTERLESS BLACK #37038 PER FED-STD-595B

P/N: 18x2.5H1215R-P-XN-1-J