



FAA Approved Facility

Iridium/Inmarsat/L1/L2 GPS/Glonass/L-Band (1-2 GHz) Helix Antenna

P/N: 18x2.5H1215R-P-XN-1-J, 2.5" Diameter x 18" Tall, Front/Back Mount Configuration

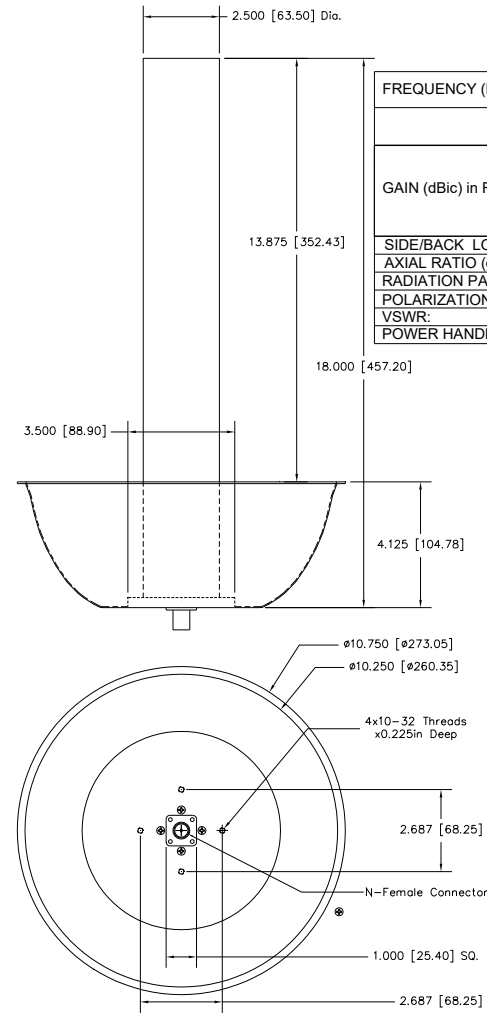
500 watts, Low side/Back Lobes for Jamming Applications
with N, SMA, TNC, or BNC Connector Options

Antenna Mounts: <http://www.antcom.com/documents/catalogs/PeripheralAntennaProducts2.pdf>



ANTCOM CORPORATION . 367 Van Ness Way, Suite 602 . Torrance, CA 90501 . Tel: (310) 782-1076 . Fax: (310) 782-1086 . E-mail: antennas@antcom.com . <http://www.antcom.com>

NOTICE OF PROPRIETARY RIGHTS
THIS DOCUMENT CONTAINS CONFIDENTIAL TECHNICAL DATA INCLUDING TRADE SECRETS PROPRIETARY TO ANTCOM CORP. DISCLOSURE OF THIS DATA TO YOU IS EXPRESSLY PROHIBITED UNLESS YOUR EXPLICIT WRITTEN USE IS LIMITED TO USE WITHIN YOUR COMPANY ONLY AND DOES NOT INCLUDE REPRODUCTION OR PROCEEDING WITH ANY OTHER USE IS STRICTLY PROHIBITED WITHOUT PRIOR WRITTEN CONSENT OF ANTCOM CORP.



ELECTRICAL: SPECIFICATIONS

FREQUENCY (MHz):	L5 GPS E5, E5a, E5b, Galileo L5 IRNSS	L2 GPS B2 Compass	L2 GLONASS E6 Galileo B3 Compass	OmniSTAR / L-Band L6 Galileo B1 Compass	L1 GPS E1, E2 Galileo L1 IRNSS	L1 GLONASS
	1176.85 ± 12.0 MHz 1164.45 ± 12.16.14 MHz 1176.45 ± 15.0 MHz	1227.80 ± 12.0 MHz 1207.14 ± 10.0 MHz	1267.50 ± 7.5 MHz 1266.75 - 1260.75 MHz 1288.52 ± 10.0 MHz	1542.50 ± 14.0 MHz 1542.50 ± 5.0 MHz 1561.098 ± 10.0 MHz	1575.42 ± 15.0 MHz 1575.42 ± 17.0 MHz 1575.42 ± 12.0 MHz	1609.0 ± 7.0 MHz
GAIN (dBic) in FS	> + 10.5 dBic					
SIDE/BACK LOBES:	< -20 dB					
AXIAL RATIO (dB)	1 to 2					
RADIATION PATTERN:	HEMISPHERICAL					
POLARIZATION:	RHCP					
VSWR:	< 1.7 : 1					
POWER HANDLING	500 watts					

MECHANICAL:

SIZE: TOP DIA: = 2.50 in [63.50 mm], BASE DIA = 3.50 in[88.90 mm]
HEIGHT = 18 in. [457 mm]

WEIGHT: 33.5 oz. (950 g)

FINISH: SKYDROL RESISTANT POLYURETHANE ENAMEL
BASE IRIDITE PER MIL-C-5541F TYPE II CLASS 1A

COLOR: GLOSS WHITE #17925 PER FED-STD-595B
LUSTERLESS GRAY #36320 PER FED-STD-595B
OLIVE DRAB GREEN #34031 PER FED-STD-595B
LUSTERLESS BLACK #37038 PER FED-STD-595B

MATERIAL: 6061-T6 ALUMINUM ALLOY BASE
COMPOSITE RADOME, IMPACT, ABRASION, UV, SOLVENT,
AND SKYDROL RESISTANCE, FIRE RETARDANT

CONNECTOR: N-Female
(OPTION: TNC, SMA, N-Bulkhead, BNC)

ENVIRONMENTAL:

TEMPERATURE: -67 °F TO +185 °F [-55 °C TO +85 °C]
ALTITUDE: 70,000 ft.
VIBRATION: > 30 G's

LEAKAGE: HERMETICALLY SEALED

FEDERAL & MILITARY SPECIFICATIONS:

DESIGN TO: FAA TSO-C144, DO-160D, D0-228, MIL-C-5541F, MIL-E-5400, MIL-I-45208A, MIL-STD-810, AND SAE J1455

HIGH (in.)	POLARIZATION:	LNA:	CABLE'S LENGTH:	CONNECTOR:	COLOR:
	LL: TX: LHCP, RX: RHCP	A1: WITH +34 dB LNA	X: NO CABLE	S: SMA; P: PINS	-1: GLOSS WHITE #17925 PER FED-STD-595B
	LR: TX: LHCP, RX: RHCP		M: WITH MAG. MOUNT	M: MCX; MM: MMCX	-2: LUSTERLESS GRAY #36320 PER FED-STD-595B
	RL: TX: RHCP, RX: LHCP	P: WITHOUT LNA	#: CABLE LENGTH (IN)	N: N; NB: N-Bulkhead	-3: OLIVE DRAB GREEN #34031 PER FED-STD-595B
	RR: TX: RHCP, RX: RHCP		R: RIGHT ANGLE CON.	T: TNC; TB: TNC- Bulkhead	-4: LUSTERLESS BLACK #37038 PER FED-STD-595B
	R: RHCP				
	L: LHCP				

P/N: 18x2.5H1215R-P-XN-1-J

QUANTITY REQD	DESCRIPTION	PARTS LIST	PART NO	ITEM NO
8	MOUNTING SCREW: (10-32 Pan Head Phillips, 1/4")		MS51958-59	5
1	Pipe Mount (Item 482m, without Thread insert)		MTR-2-mod	4
1				3
1				2
1				1
-1				

UNLESS OTHERWISE SPECIFIED DIMENSIONS ARE IN INCHES ANGLES ± 1/64 DECIMALS ± .015 XXX ± .006 ± .1°

TOLERANCE .010 PER ANSI Y14.5

REMOVE ALL BURRS BREAK EXTERNAL EDGES .005 TO .015 FILETS R .005 TO R .020 SCREW THREADS PER MIL-S-8879 DIA'S ON A COMMON 6 ± .005 MACHINED SURFACES

DO NOT SCALE DRAWING

ANTCOM CORP TORRANCE CALIFORNIA

HIGH GAIN IRIDIUM/GPS/GLONASS/INMARSAT HELIX ANTENNA

APPROVED S. HUYNH DEC-07-09

DWG NO: 3CVE1

SCALE: 1/1

SHEET 1 OF 1