



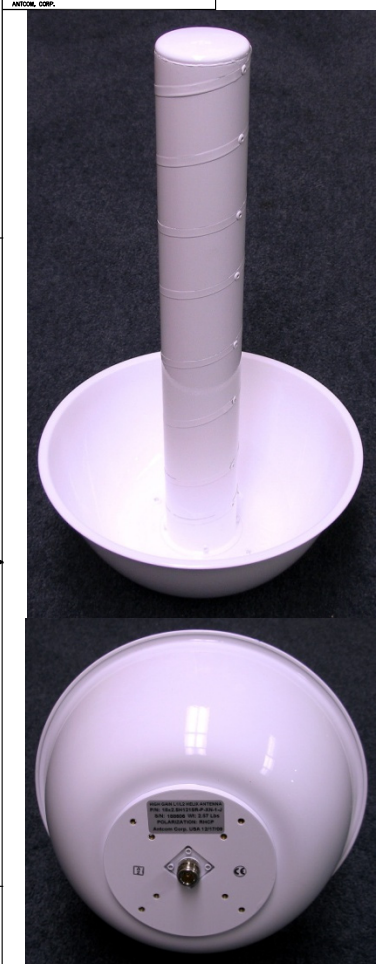
FAA Approved Facility

Iridium/Inmarsat/L1/L2 GPS/Glonass/L-Band (1-2 GHz) Helix Antenna,
P/N: 18x2.5H1215R-P-XN-1-J, 2.5" Diameter x 18" Tall, Front/Back Mount Configuration,
500 watts, Low side/Back Lobes for Jamming Applications
with N, SMA, TNC, or BNC Connector Options

Antenna Mounts/Adapters: <http://www.antcom.com/documents/catalogs/PeripheralAntennaProducts2.pdf>



ANTCOM CORPORATION . 367 Van Ness Way, Suite 602 . Torrance, CA 90501 . Tel: (310) 782-1076 . Fax: (310) 782-1086 . E-mail: antennas@antcom.com . <http://www.antcom.com>



SPECIFICATIONS

REVISIONS						
ZONE	REV	DESCRIPTION	DATE	APPROVED		

ELECTRICAL:						
FREQUENCY (MHZ):	L5 GPS E5, E5a, E5b, Galileo L5 IRNSS	L2 GPS B2 Compass	L2 GLONASS E6 Galileo B3 Compass	OmniSTAR / L-Band L6 Galileo B1 Compass	L1 GPS E1, E2 Galileo L1 IRNSS	L1 GLONASS
	1176.45 ± 12.0 MHz 1164.45 - 1219.14 MHz 1176.45 ± 15.0 MHz	1227.60 ± 12.0 MHz 1207.14 ± 10.0 MHz	1252.50 ± 7.5 MHz 1266.75 - 1290.75 MHz 1268.52 ± 10.0 MHz	1542.50 ± 14.0 MHz 1542.50 ± 5.0 MHz 1561.098 ± 10.0 MHz	1575.42 ± 15.0 MHz 1575.42 ± 17.0 MHz 1575.42 ± 12.0 MHz	1609.0 ± 7.0 MHz
GAIN (dBic) in FS	> + 10.5 dBic					
SIDE/BACK LOBES:	< -20 dB					
AXIAL RATIO (dB)	1 to 2					
RADIATION PATTERN:	HEMISPHERICAL					
POLARIZATION:	RHCP					
VSWR:	< 1.7 : 1					
POWER HANDLING	500 watts					

MECHANICAL:

SIZE: TOP DIA = 2.50 in [63.50mm], BASE DIA = 3.50 in [88.90mm]
 HEIGHT = 18 in. [457 mm]

WEIGHT: 33.5 oz. (950 g)

FINISH: SKYDROL RESISTANT POLYURETHANE NAMEL
 BASE IRIDITE PER MIL-C-5541F TYPE II CLASS 1A

COLOR: GLOSS WHITE #17925 PER FED-STD-595B
 LUSTERLESS GRAY #36320 PER FED-STD-595B
 OLIVE DRAB GREEN #34031 PER FED-STD-595B
 LUSTERLESS BLACK #37038 PER FED-STD-595B

MATERIAL: 6061-T6 ALUMINUM ALLOY BASE
 COMPOSITE RADOME, IMPACT, ABRASION, UV, SOLVENT,
 AND SKYDROL RESISTANCE, FIRE RETARDANT

CONNECTOR: N-Female
 (OPTION: TNC, SMA, N-Bulkhead, BNC)

ENVIRONMENTAL:

TEMPERATURE: -67 °F TO +185 °F [-55 °C TO +85 °C]
 ALTITUDE: 70,000 ft.
 VIBRATION: > 30 G's

LEAKAGE: HERMETICALLY SEALED

FEDERAL & MILITARY SPECIFICATIONS

DESIGN TO: FAA TSO-C144, DO-160D, D0-228, MIL-C-5541F,
 MIL-E-5400, MIL-I-45208A, MIL-STD-810, AND SAE J1455

QUANTITY REQD	DESCRIPTION	PART NO	INSTR
8	MOUNTING SCREW: (10-32 Pan Head Phillips, 1/4")	M551958-59	5
1	Pipe Mount (Item 482m, without Thread insert)	MTR-2-mod	4
1			3
1			2
1			1

HIGH (in):	POLARIZATION:	LNA:	CABLE LENGTH	CONNECTOR	COLOR
LL: TX: LHCP, RX: LHCP	AT: WITH +34 dB LNA	X: NO CABLE	S: SMA, P: PINS	-1: GLOSS WHITE #17925 PER FED-STD-595B	
LR: TX: LHCP, RX: RHCP	P: WITHOUT LNA	M: WITH MAG. MOUNT	M: MCX, MM, MMCX	-2: LUSTERLESS GRAY #36320 PER FED-STD-595B	
RL: TX: RHCP, RX: LHCP		N: N, NB: N-Bulkhead	N: N, NB: N-Bulkhead	-3: OLIVE DRAB GREEN #34031 PER FED-STD-595B	
RR: TX: RHCP, RX: RHCP		R: RIGHT ANGLE CON.	T: TNC; TB: TNC- Bulkhead	-4: LUSTERLESS BLACK #37038 PER FED-STD-595B	
R: RHCP					
L: LHCP					

P/N: 18x2.5H1215R-P-XN-1-J

REVISIONS						
ZONE	REV	DESCRIPTION	DATE	APPROVED		

ANTCOM CORP. TORRANCE CALIFORNIA

HIGH GAIN
IRIDIUM/GPS/GLONASS/
INMARSAT HELIX ANTENNA

DESIGNED BY: S. HUYNH
 DEC-07-09

SCALE: 1/1

SHEET 1 OF 1

UNLESS OTHERWISE SPECIFIED
 DIMENSIONS ARE IN INCHES
 TOLERANCES ARE:
 FRACTIONS DECIMALS ANGLES
 ± 1/64 ± .005 ± .01 ± 1°

REMOVE ALL BURRS
 BREAK EXTERNAL EDGES .005 TO .015
 FILED & POLISHED TO # 600
 SQUARE THREADS PER MIL-C-8879
 SAE OR A COMMERCIAL STANDARD
 MACHINED SURFACES

DO NOT SCALE DRAWING

NMO Connector is Now Available for Some Antennas