



(403-500) MHz UHF Antenna
 P/N: 18R-403-500P-XNB-1-SSH-RoHS

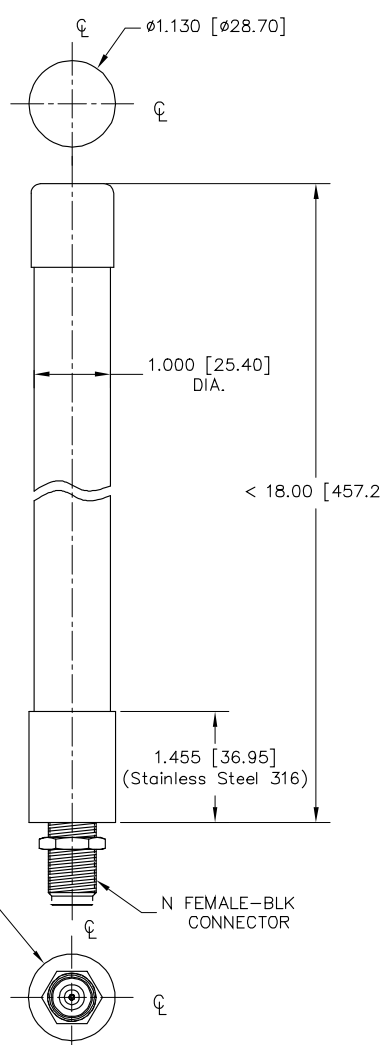
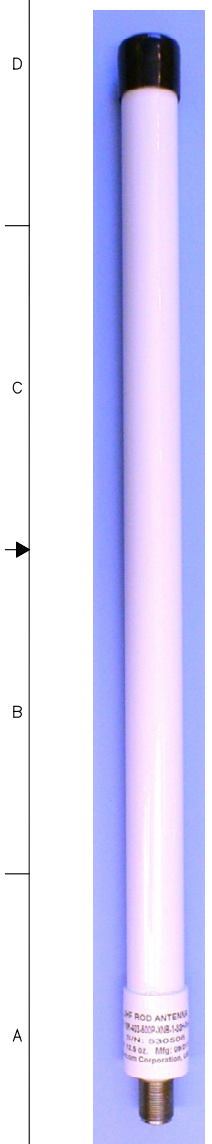
Other Frequencies, Connector, Color and Mounting Options are Available



ISO 9001:2008/FAA Approved Facility Antenna Mounts/Adapters: <http://www.antcom.com/documents/catalogs/PeripheralAntennaProducts2.pdf>

ANTCOM CORPORATION . 367 Van Ness Way, Suite 602 . Torrance, CA 90501, USA . Tel: (310) 782-1076 . Fax: (310) 782-1086 . E-mail: antennas@antcom.com . <http://www.antcom.com>

NOTICE OF PROPRIETARY RIGHTS
 THIS DOCUMENT CONTAINS CONFIDENTIAL, TECHNICAL DATA INCLUDING TRADE SECRETS PROPRIETARY TO ANTCOM CORP. DISCLOSURE OF THIS DATA TO YOU IS EXPRESSLY LIMITED TO YOUR AGREEMENT THAT ITS USE IS LIMITED TO USE WITH YOUR COMPANY ONLY AND DOES NOT INCLUDE MANUFACTURE OR REPRODUCTION. ANY OTHER USE IS EXPRESSLY PROHIBITED WITHOUT PRIOR WRITTEN CONSENT OF ANTCOM CORP.



SPECIFICATIONS

REVISIONS		DATE	APPROVED
2			
1			

ELECTRICAL:

FREQUENCY (MHz):	(403-500) MHz
PATTERN:	OMNIDIRECTIONAL
POLARIZATION:	VERTICAL
ANTENNA GAIN :	>2 dB
VSWR:	2.5:1
OUTPUT IMPEDANCE:	50 Ω
POWER HANDLING:	>50 watts (Without LNA)
LNA OPTION:	GAIN: 20 dB, NF: 4.1 dB, OP1dB: +18dB, OIP3: +33dB DC: (5 to 24) Volt @ <70mA

MECHANICAL:

SIZE: BASE DIAMETER = 1.120 in. [28.45 mm],
 HEIGHT = < 18.00 in. [457.2 mm]

WEIGHT: 1.266 lbs (574 g)

MATERIAL: STAINLESS STEEL 316
 COMPOSITE RADOME, IMPACT, ABRASION, UV, SOLVENT, AND SKYDROL RESISTANCE, FIRE RETARDANT

FINISH: SKYDROL RESISTANT POLYURETHANE ENAMEL TOP,
 BASE PASSIVATE PER QQ-P-35C

CONNECTOR: N FEMALE-BLK (STAINLESS STEEL 316)
 (OPTION: SMA, TNC, N or BNC)

ENVIRONMENTAL:

TEMPERATURE: -67 °F TO +185 °F [-55 °C TO +85 °C]

ALTITUDE: 70,000 ft.

VIBRATION: > 30 G's

LEAKAGE: HERMETICALLY SEAL

FEDERAL & MILITARY SPECIFICATIONS:

DESIGN TO: FAA TSO-C144, DO-160D, D0-228, MIL-C-5541, MIL-E-5400, MIL-1-45208A, MIL-STD-810, AND SAE J1455

ACCEPTANCE TEST PROCEDURE: ATP-GPS-L1L2-100

FREQUENCY (GHz)	POLARIZATION:	CONNECTOR:	COLOR:
0102: (100-200) MHz	V: VERTICAL	S: SMA; P: PINS	-1: GLOSS WHITE #17925 PER FED-STD-595B
0305: (300-500) MHz	L: LHCP	M: MCK; MM: MMCX	-2: LUSTERLESS GRAY #36320 PER FED-STD-595B
403-500: (403-500) MHz	R: RHCP	N: N; NB: N-Bulkhead	-3: OLIVE DRAB GREEN #34031 PER FED-STD-595B
0820: (800-2000) MHz		T: TNC; TB: TNC-Bulkhead	-4: LUSTERLESS BLACK #37038 PER FED-STD-595B
XXYY: (X.XX-Y.YY) MHz			-5: TAN #33446 PER FED-STD-595B

QUANTITY	DESCRIPTION	PART NO	MATERIAL	REV
2				
1				

UNLESS OTHERWISE SPECIFIED DIMENSIONS ARE IN INCHES FRACTIONS DECIMALS ANGLES ± 1/64 ± .005 ± 1°	ORIGINALLY DRAWN S. HUYNH July-16-16 ORIGINALLY DESIGNED S. HUYNH July-16-16	ANTCOM CORP. TORRANCE CALIFORNIA (403-500) MHz UHF ANTENNA
TOLERANCE S/W PER ANSI Y14.5 SHOW ALL DIMENSIONS EXTERNAL EDGES DOG TO .015 RULES TO 1/8" & 1/4" SHOW DIMENSIONS FOR MIL-S-8879 DATS ON A COMMON 1/2" GRID MACHINED SURFACES	UPDATED S. HUYNH Aug-10-16 P. TRAN July-16-16	
DO NOT SCALE DRAWING	APPROVED S. HUYNH Aug-10-16	

D	3CVE1	18R-403-500P-XNB-1-SSH	REV
SCALE	1/1	SHEET	1 OF 1

P/N: 18R-403-500P-XNB-1-SSH