



(20-500) MHz VHF/UHF Blade Antenna

P/N: 15B-20-500-XT-2

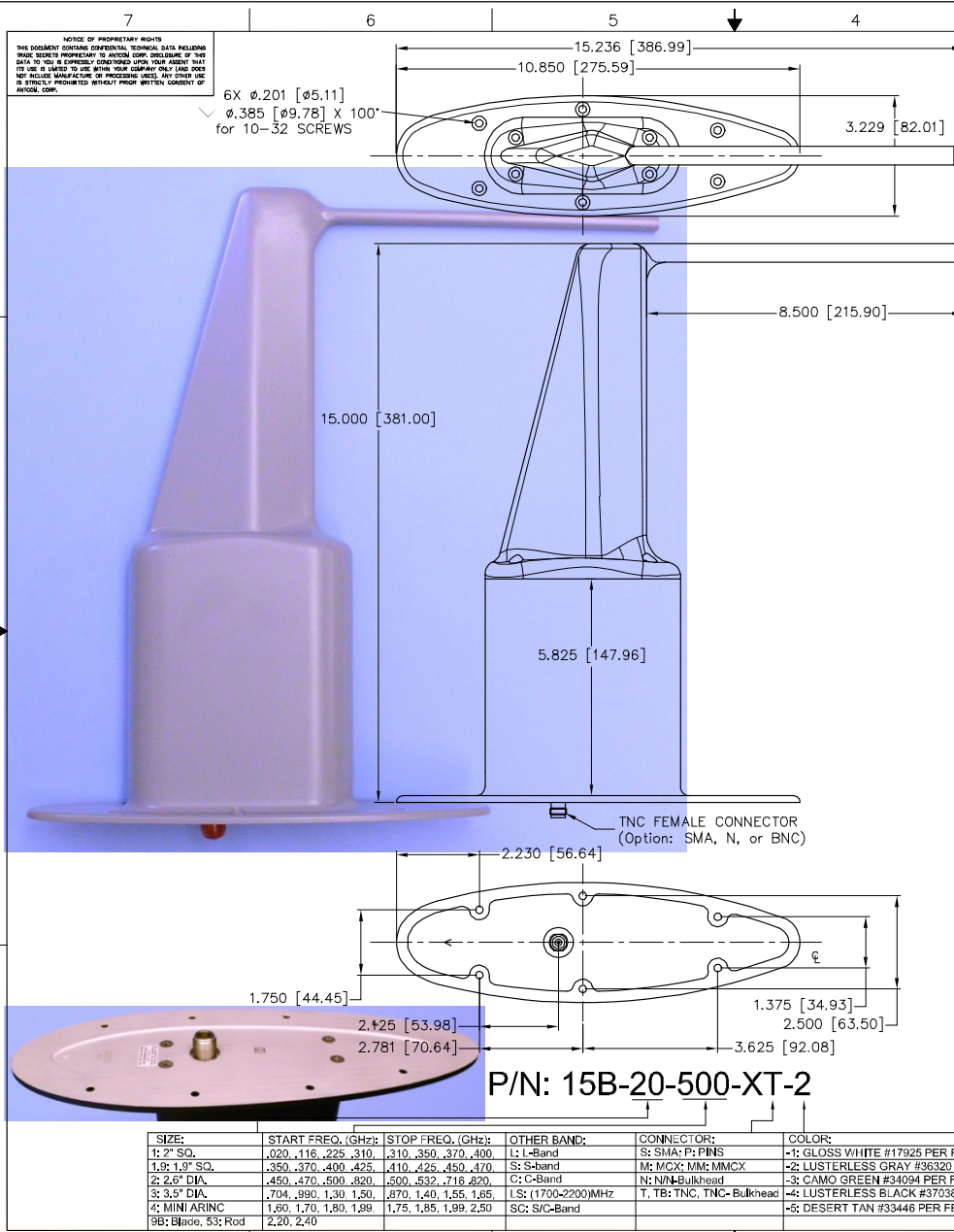
(15.0" Tall Blade Configuration)

Other Frequency Bands, Color and Connector Options are Also Available

ISO 9001:2008/FAA Approved Facility Antenna Mounts/Adapters: <http://www.antcom.com/documents/catalogs/PeripheralAntennaProducts2.pdf>



ANTCOM CORPORATION . 367 Van Ness Way, Suite 602 . Torrance, CA 90501, USA . Tel: (310) 782-1076 . Fax: (310) 782-1086 . E-mail: [antennas@antcom.com](mailto:antennas@antcom.com) . <http://www.antcom.com>



SPECIFICATIONS

REVISIONS		DATE	APPROVED
ZONE	REV	DESCRIPTION	
-	-	-	-

ELECTRICAL:

FREQUENCY:	VHF/UHF: (20-500) MHz			
PATTERN:	OMNIDIRECTIONAL			
POLARIZATION:	VERTICAL			
ANTENNA GAIN: (On 4ft. Ground Plane)	MHz	dBi	MHz	dBi
	20	-35	220	-5
	40	-29	240	-7
	60	-17	260	-1
	80	-11	300	+0
	100	+3	350	+1
	120	-1	400	+2
	160	-4	450	+2
180	+1	500	+2	
200	-1			
VSWR:	2.5:1			
OUTPUT IMPEDANCE:	50 ohms			
POWER HANDLING:	100 watts			
LIGHTNING PROTECTION:	DC GROUNDED			

MECHANICAL:

SIZE: WIDTH 3.229 in. [82.01 mm], LENGTH 10.850 in. [275.59 mm]  
 HEIGHT 15.000 in. [381.00 mm]

WEIGHT: 3.06 lbs. (1.4 Kg)

FINISH: SKYDROL RESISTANT POLYURETHANE ENAMEL  
 BASE IRIDITE PER MIL-C-5441F

MATERIAL: 6061-T6 ALUMINUM ALLOY BASE  
 COMPOSITE RADOME, IMPACT, ABRASION, UV, SOLVENT,  
 SKYDROL RESISTANCE, AND FIRE RETARDANT

CONNECTOR: TNC FEMALE (OPTION: SMA, TNC, or BNC)  
 (OPTION: SMA, N, or BNC)

ENVIRONMENTAL:

TEMPERATURE: -67°F TO +185°F [-55°C TO +85°C]

ALTITUDE: 70,000 ft.

VIBRATION: 14 G's

LEAKAGE: HERMETICALLY SEALED

FEDERAL & MILITARY SPECIFICATIONS:

DESIGN TO:

TSO-C129A/C144, DO-160D, D0-228, MIL-C-5541F,  
 MIL-STD-461E/F, MIL-E-5400, MIL-4-45208A, MIL-STD-810,  
 MIL-S-901D, MIL-STD-167-1A, SAE J1455

QUANTITY	DESCRIPTION	PART NO	SPECIFICATION	MATERIAL	FINISH	TEMP
1						2
1						1
-1						

UNLESS OTHERWISE SPECIFIED  
 DIMENSIONS ARE IN INCHES  
 FRACTIONS DECIMALS ANGLES  
 ± 1/64 ± .005 ± 1°

ANTCOM CORP. TORRANCE, CALIFORNIA

(20-500) MHz  
 VHF/UHF BLADE ANTENNA

SCALE 1/1 SHEET 1 OF 1