



(300-500)/(850-2700) MHz Wide-Band UHF/L/S-Band Antenna for Deep Sea Applications

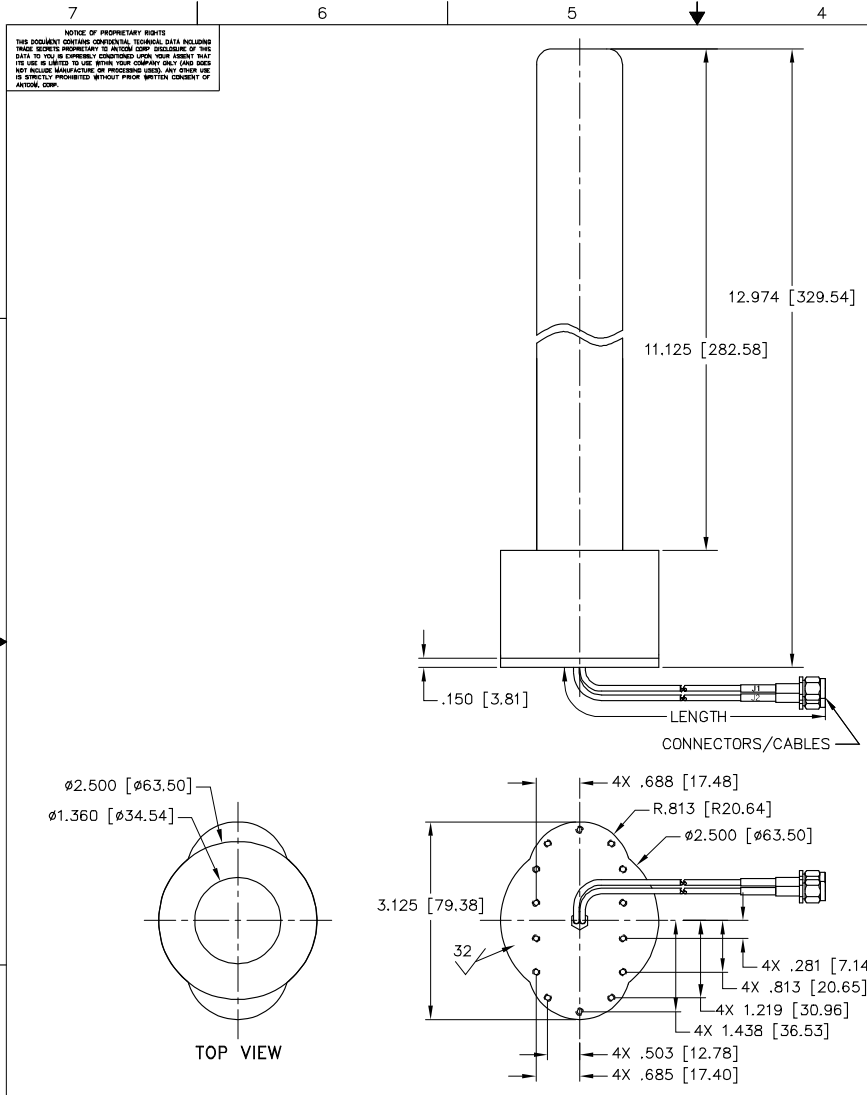
P/N: 13R0305-0827VV-12SS-UU

Other Frequencies and Connector Options are Available. *Depth Rate = 10 Km (14,555 PSI)*



ISO 9001:2008/FAA Approved Facility Antenna Mounts/Adapters: <http://www.antcom.com/documents/catalogs/PeripheralAntennaProducts2.pdf>

ANTCOM CORPORATION . 367 Van Ness Way, Suite 602 . Torrance, CA 90501, USA . Tel: (310) 782-1076 . Fax: (310) 782-1086 . E-mail: antennas@antcom.com . <http://www.antcom.com>



SPECIFICATIONS

REVISIONS		DATE	APPROVED
ZONE	REV		

ELECTRICAL:

	J1	J2
FREQUENCY (MHZ):	(300 - 500) MHz	(850 - 2700) MHz
PATTERN:	OMNIDIRECTIONAL	
POLARIZATION:	VERTICAL	
ANTENNA GAIN :	> 2 dB	
VSWR:	2.5:1	
OUTPUT IMPEDANCE:	50 Ω	
POWER HANDLING:	>50 watts (Without LNA)	
LNA OPTION:	GAIN: 20 dB, NF: 4.1 dB, OP1dB: +18dB, OIP3: +33dB DC: (5 to 24) Volt @ <70mA	

MECHANICAL:

SIZE: DIAMETERS = 1.360in [34.5mm], 2.500in [63.5mm]
HEIGHT = 12.974 in. [329.54 mm]
12.5 oz. (354.4 g)

WEIGHT:

MATERIAL: 6061-T6 ALUMINUM ALLOY BASE
COMPOSITE RADOME, IMPACT, ABRASION, UV, SOLVENT,
AND SKYDROL RESISTANCE, FIRE RETARDANT

FINISH: BASE: HARD BLACK ANODIZE PER MIL-A-8625F, TYPE III, CL.2
RADOME/BASE: TEFLON COATED UP TO MOUNTING SURFACE

CONNECTOR: SMA-M CONNECTOR/CABLE
(OPTION: TNC, N, N Bulkhead, BNC)

ENVIRONMENTAL:

TEMPERATURE: -67 °F TO +185 °F [-55 °C TO +85 °C]
ALTITUDE: 70,000 ft.
VIBRATION: > 30 G's
LEAKAGE: HERMETICALLY SEALED

FEDERAL & MILITARY SPECIFICATIONS:

DESIGN TO: FAA TSO-C144, DO-160D, D0-228, MIL-C-5541,
MIL-E-5400, MIL-I-45208A, MIL-STD-810, AND SAE J1455

1. 32RMS SURFACES ARE FOR O-RING SEALING SURFACE
NOTES: UNLESS OTHERWISE SPECIFIED:

CONFIGURATION:	FREQUENCY:	POLARIZATION:	CONNECTOR:	COLOR:
5B: (HELIX ROD)	0305: (300 - 500) MHz	V: VERTICAL	S: SMA; P: PINS	-1: GLOSS WHITE #17925 PER FED-STD-595B
5B: (HELIX BLADE)	0827: (850 - 2700) MHz	LL: TX: LHCP, RX: LHCP	M: MCX; MM: MIMCX	-2: LUSTERLESS GRAY #36320 PER FED-STD-595B
3D: (HELIX HANDHELD)		LR: TX: LHCP, RX: RHCP	N: N; NB: N-Bulkhead	-3: CAMO GREEN #34094 PER FED-STD-595B
91: (HELIX Sextant Port)		RL: TX: RHCP, RX: LHCP	T: TNC; TB: TNC-Bulkhead	-4: LUSTERLESS BLACK #37038 PER FED-STD-595B
13: (13" HELIX Sextant)		RR: TX: RHCP, RX: RHCP	B: BNC Female	-5: DESERT TAN #33446 PER FED-STD-595B
				-UU: Teflon Coated for Under Water Application

QUANTITY	DESCRIPTION	PARTS LIST	PART NO	FINISH	ITEM NO
1					2
1					1
-1					

UNLESS OTHERWISE SPECIFIED DIMENSIONS ARE IN INCHES FRACTIONS TO DECIMALS DECIMALS TO THOUSANDS	ORIGINALLY DRAWN S. HUYNH Mar-10-12	ANTCOM CORP. TORRANCE, CALIFORNIA WIDE-BAND UHF/L/S-BAND ANTENNA
TOLERANCE SYM PER ANG Y14.5 REMOVE ALL SHARP BREAK EXTERNAL EDGES 000 TO .010 FILETS R .200 TO R .500 SURE FIRE RESIST PER MIL-C-8878 PARTS ON A COMMON & 24-000 MACHINED SURFACES 12V	ORIGINALLY DESIGNED S. HUYNH Mar-10-12	
DO NOT SCALE DRAWING	UPDATED BY S. HUYNH July-08-16	
	DRAWN BY P. TRAN July-08-16	
	APPROVED S. HUYNH July-08-16	DKT: 30VE1 SCALE: 1/1 SHEET 1 OF 1