



4G/LTE/UHF/L/S-Band Antenna for Deep Sea Applications, *Depth Rate = 10 Km (14,555 PSI)*

P/N: 5W-0.30-0.50P-12S-UU (0.30-0.50 GHz, 5 in High) or P/N: 10W-0.30-0.50P-12S-UU (0.30-0.50 GHz, 10 in High)

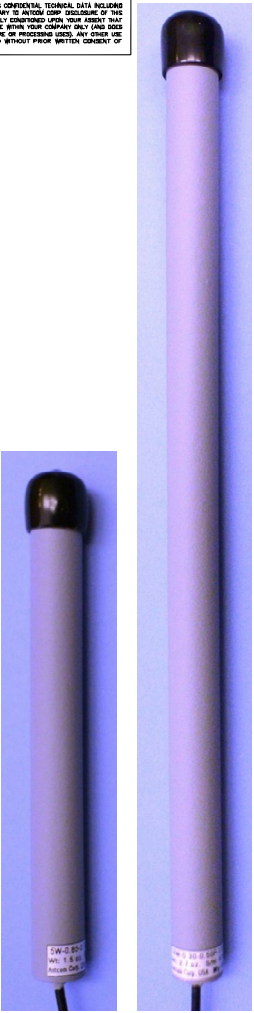
P/N: 5W-0.85-2.70P-12S-UU (0.85-2.70 GHz, 5 in. High) or P/N: 10W-0.85-2.70P-12S-UU (0.85-2.70 GHz, 10 in. High)

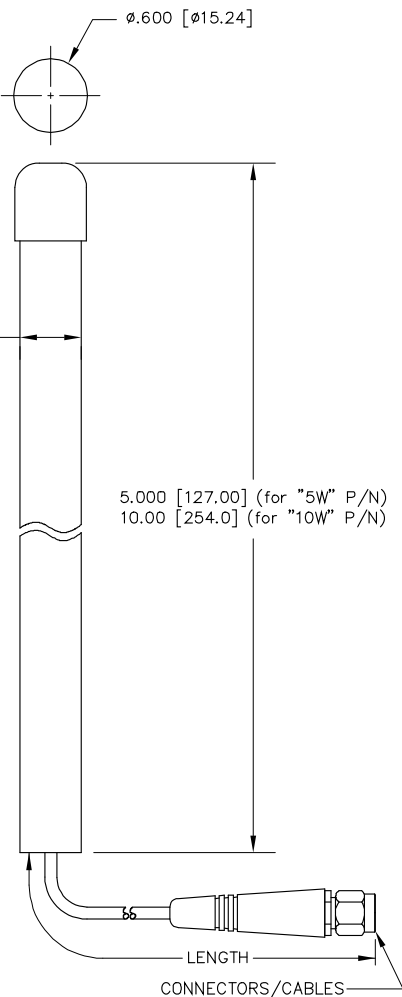
Other Frequencies, Connector and Color Options are Available

ISO 9001:2008/FAA Approved Facility Antenna Mounts/Adapters: <http://www.antcom.com/documents/catalogs/PeripheralAntennaProducts2.pdf>



ANTCOM CORPORATION . 367 Van Ness Way, Suite 602 . Torrance, CA 90501, USA . Tel: (310) 782-1076 . Fax: (310) 782-1086 . E-mail: [antennas@antcom.com](mailto:antennas@antcom.com) . <http://www.antcom.com>





$\phi .600 [\phi 15.24]$   
 $.500 [12.70]$   
 $5.000 [127.00]$  (for "5W" P/N)  
 $10.00 [254.0]$  (for "10W" P/N)

LENGTH  
 CONNECTORS/CABLES

### SPECIFICATIONS

**ELECTRICAL:**

FREQUENCY (MHz):	(300-500) or (850-2700) MHz
PATTERN:	OMNIDIRECTIONAL
POLARIZATION:	VERTICAL
ANTENNA GAIN :	>0 dBil
VSWR:	2.5:1
OUTPUT IMPEDANCE:	50 $\Omega$
POWER HANDLING:	>50 watts

**MECHANICAL:**

SIZE: DIAMETER: TOP= 0.500 in [12.70 mm]  
 HEIGHT: 5.000 [127.00] for 5W P/N  
 HEIGHT: 10.0 in. [254.0 mm] for 10W P/N

WEIGHT: 1.5 oz. (42g) for 5W P/N  
 2.7 oz. (77 g) for 10W P/N

FINISH: TEFLON COATED

MATERIAL: 6061-T6 ALUMINUM ALLOY BASE  
 THERMOSET PLASTIC RADOME, UV, ABRASION AND SKYDROL RESISTANCE

CONNECTOR: SMA MALE CABLE  
 (OPTION: TNC, N, N Bulkhead, MCX, or MMCX)

**ENVIRONMENTAL:**

TEMPERATURE: -76°F TO +194°F [-60°C TO +90°C]  
 ALTITUDE: 70,000 ft.  
 VIBRATION: >10 G's  
 LEAKAGE: HERMETICALLY SEALED

**FEDERAL & MILITARY SPECIFICATIONS:**

DESIGN TO: DO-160D, MIL-C-5541, MIL-E-5400, MIL-I-45208A, AND MIL-STD-810E

CONFIGURATION:	FREQUENCY:	LNA:	CABLE'S LENGTH:	CONNECTOR:	COLOR:
Siz WITH 1.75in DIA. FLANGE	0.31-0.40: (310-400) MHz	A: WITH +20 dB LNA	X: NO CABLE	S: SMA FEMALE	+1: GLOSS WHITE #17925 PER FED-STD-595B
SC WITH-OUT Flange	0.30-0.50: (350-400) MHz	P: WITHOUT LNA	M: WITH MAG. MOUNT	SM: SMA MALE	-2: LUSTERLESS GRAY #38320 PER FED-STD-595B
	0.40-0.45: (400-450) MHz		#: CABLE LENGTH (IN)	I: TNC FEMALE	-3: CAMO GREEN #34094 PER FED-STD-595B
	0.81-0.96: (810-960) MHz		R: RIGHT ANGLE CON.	TM: TNC MALE	-4: NATURAL BLACK (Utem 2200 Black)
	0.85-1.90: (850-1900) MHz			N: N FEMALE; B: BNC FEMALE	-5: DESERT TAN #33446 PER FED-STD-595B
	1.33-1.54: (1332-1540) MHz			NM: N MALE; BN: BNC MALE	-UU: Gray Color Teflon Coating
	1.61-1.85: (1610-1850) MHz				
	1.61-2.50: (1610-2500) MHz				
	2.40-2.50: (2400-2500) MHz				
	4.40-5.85: (4400-5850) MHz				
	1.70-5.85: (1700-5850) MHz				
	2.40-5.85: (2400-5850) MHz				
	L-S-C-Kuz (L/S/C/Ku-Band)				
	X,XX+Y,Y: (X,XX+Y,Y) GHz				

P/N: 5W-0.85-2.70P-12S-UU  
 or 10W-0.30-0.50P-12S-UU

ZONE	REV	DESCRIPTION	DATE	APPROVED

QUANTITY REQD	DESCRIPTION	PART NO	SPECIFICATION	MATERIAL	FINISH	1
-2	-1					1

<p>UNLESS OTHERWISE SPECIFIED DIMENSIONS ARE IN INCHES FRACTIONS DECIMALS ANGLES TOLERANCES ± 1/64 .0006 .005 ± 1°</p> <p>TOLERANCE SYM PER ANSI Y14.5 REMOVE ALL DIMENSIONS FROM EXTERNAL EDGES .005 TO .015 UNLESS OTHERWISE SPECIFIED PER MIL-S-8879 SURF'S ON A COMMON ± .005 MACHINED SURFACES 125</p> <p>DO NOT SCALE DRAWING</p>	<p style="text-align: center;"><b>ANTCOM CORP.</b> TORRANCE, CALIFORNIA</p> <p style="text-align: center;">(0.30-0.50) or (0.85-2.70) GHz UHF or UHF/L/S-BAND ANTENNA</p> <p>ORIGINAL DRAWN: S. HUYNH May-10-16              ORIGINALLY DESIGNED: S. HUYNH May-10-16              S. HUYNH Aug-30-16              UPDATED BY: P. TRAN Aug-30-16              DRAWN BY: S. HUYNH Aug-30-16              APPROVED: S. HUYNH Aug-30-16</p> <p>SCALE 1/1</p>
---	--