



(161-163) MHz VHF Antenna for Deep Sea Applications

P/N: 103-0.161-0.163V-XDGO-UU (For DGO Connectors)

P/N: 103-0.161-0.163V-XX-2-UU (For Other Connectors)

(900-930) MHz, (2.4-2.5) GHz, Other Frequencies and Connectors are Available. *Depth Rate = 10 Km (1455 PSI)*

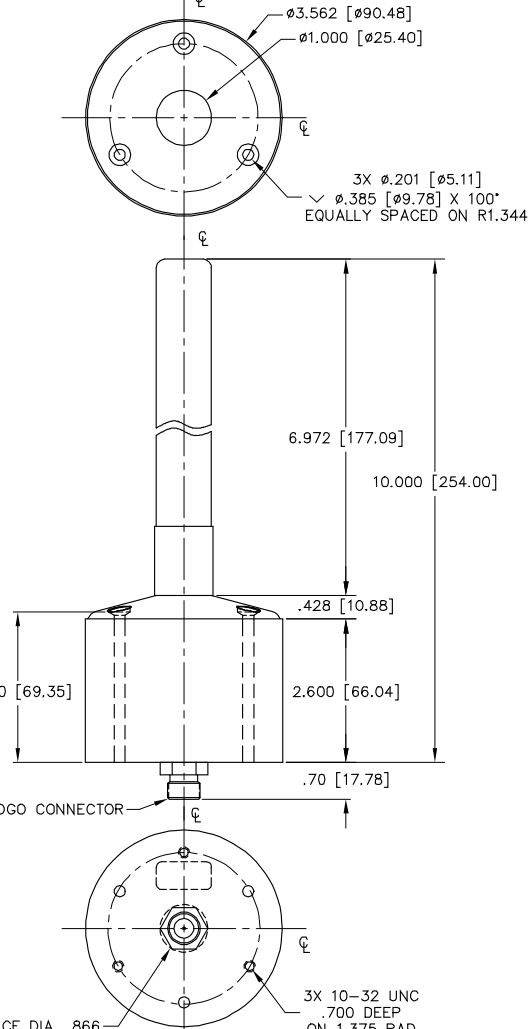
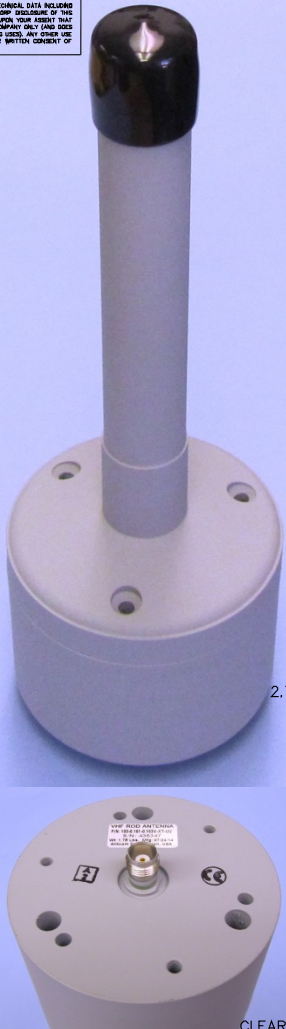
ISO 9001:2008/FAA Approved Facility Antenna Mounts/Adapters: <http://www.antcom.com/documents/catalogs/PeripheralAntennaProducts2.pdf>



ANTCOM CORPORATION . 367 Van Ness Way, Suite 602 . Torrance, CA 90501, USA . Tel: (310) 782-1076 . Fax: (310) 782-1086 . E-mail: antennas@antcom.com . <http://www.antcom.com>

7
6
5
4
3
2
1

NOTICE OF PROPRIETARY RIGHTS
THIS DOCUMENT CONTAINS CONFIDENTIAL, TECHNICAL DATA INCLUDING TRADE SECRETS PROPRIETARY TO ANTCOM CORP. UNLESS INDICATED OTHERWISE, THIS DATA IS TO BE KEPT CONFIDENTIAL. YOUR BEST EFFORTS TO MAINTAIN THE CONFIDENTIALITY OF THIS DATA IS DEEMED TO BE A CONDITION OF YOUR PURCHASE OF THIS PRODUCT. ANY USE OF THIS DATA FOR ANY OTHER PURPOSE IS STRICTLY PROHIBITED WITHOUT PRIOR WRITTEN CONSENT OF ANTCOM CORP.



SPECIFICATIONS

REVISIONS				
ZONE	REV	DESCRIPTION	DATE	APPROVED
A		VSWR 2:1	11/14/14	S.H.
B		ANTENNA HEIGHT	05/15/15	S.H.

ELECTRICAL:

FREQUENCY:	(0.161 - 0.163) GHz
RADIATION PATTERN:	OMNI
POLARIZATION:	VERTICAL
VSWR:	< 2.0:1
GAIN (dB):	(-1.6 to 0) dBil
Elevation Beam Width (3dB):	(50 to 70) °
Azimuth Beam Width (3dB):	360 °
IMPEDANCE:	50 Ohms
POWER HANDLING:	200 Watt

MECHANICAL:

SIZE: BASE DIAMETER = 3.56 in. (90.5 mm), HEIGHT = 10.00 in (254.00mm)

WEIGHT: 1.75 lbs. (798 g)

FINISH: SKYDROL RESISTANT POLYURETHANE ENAMEL
BASE IRIDITE PER MIL-C-5441

MATERIAL: 6061-T6 ALUMINUM ALLOY BASE
COMPOSITE RADOME, IMPACT, ABRASION, UV, SOLVENT, SKYDROL RESISTANCE, AND FIRE RETARDANT

CONNECTOR: DGO FEMALE
(OPTION: SMA, TNC, N, BNC)

ENVIRONMENTAL:

TEMPERATURE: -67 °F TO +185 °F [-55 °C TO +85 °C]

ALTITUDE: 70,000 ft

VIBRATION: > 30 G's

LEAKAGE: HERMETICALLY SEAL

FEDERAL & MILITARY SPECIFICATIONS:

DESIGN TO: FAA TSO-C144, DO-160D, DO-228, MIL-C-5541, MIL-E-5400, MIL-I-45208A, MIL-STD-810, AND SAE J1455

ACCEPTANCE TEST PROCEDURE: ATP-GPS-1.1L2-100

FREQUENCY (GHz): 0.161-0.163; (161-163) MHz	POLARIZATION: V: VERTICAL	CONNECTOR: S: SMA; P: PINS	COLOR: -1: GLOSS WHITE #17925 PER FED-STD-595B
0.174-0.180; (174-180) MHz	L: LHCP	M: MCX; MM: MMCX	-2: LUSTERLESS GRAY #38320 PER FED-STD-595B
0.180-0.186; (180-186) MHz	R: RHCP	N: N; NB: N-Bulkhead	-3: OLIVE DRAB GREEN #34031 PER FED-STD-595B
0.186-0.192; (186-192) MHz		T: TNC; TB: TNC-Bulkhead	-4: LUSTERLESS BLACK #37038 PER FED-STD-595B
0.192-0.198; (192-198) MHz		DGO: DGO	-5: TAN #33446 PER FED-STD-595B
XX-XX.YY;(XX-YY) GHz			UU: Gray Color Teflon Coating

P/N: 103-0.161-0.163V-XDGO-UU

QTY	DESCRIPTION	PART NO	MATERIAL	REV
3	SCREW, 10-32, 3.5"L (Item544-325)	91771A844	-	1

UNLESS OTHERWISE SPECIFIED DIMENSIONS ARE IN INCHES TOLERANCES ARE DECIMALS ± 1/64 JOES .010 ± .1°	ORIGINAL DRAWN S. HUYNH Mar-21-07	ANTCOM CORP. TORRANCE, CALIFORNIA (161-163) MHz VHF OMNI ANTENNA
TOLERANCE 5/16 PER ANSI Y14.5	ORIGINAL DESIGNED S. HUYNH Mar-21-07	
REMOVE ALL BURRS	UPDATED S. HUYNH Mar-18-14	
BREAK EXTERNAL EDGES .005 TO .015	UPDATE DRAWN P. TRAN Mar-18-14	
FILED TO .0015 R .005	APPROVED S. HUYNH Mar-18-14	TITLE: 3CVE1 NUMBER: 103-0.161-0.163V-XDGO-UU SCALE: 1/1 SHEET: 1 OF 1

NMO Connector Option is Now Available for Some Antennas