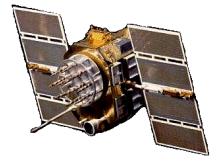




ISO 9001:2008/FAA Approved Facility

L1/L2 GPS Antenna, P/N: 1.9G1215P-6.5RSSMC-2-2.33

1.9" Square, 2.33in Conformal Radius, Flat Front/Back Mount with 6.5in R-SSMC-Male Back Cable Configurations



ANTCOM CORPORATION . 367 Van Ness Way, #602 . Torrance, CA 90501 . Tel: (310) 782-1076 . Fax: (310) 782-1086 . E-mail: antennas@antcom.com . http://www.antcom.com

NOTICE OF PROPRIETARY RIGHTS
THIS DOCUMENT CONTAINS CONFIDENTIAL, TRADE SECRET, AND/OR PROPRIETARY INFORMATION. DISCLOSURE OF THIS DATA TO YOU IS EXPRESSLY CONDITIONED UPON YOUR ASSENT THAT ITS USE IS LIMITED TO THE USES SPECIFIED IN THE ORDER AND THAT IT IS NOT TO BE REPRODUCED, COPIED, OR TRANSMITTED IN ANY FORM OR BY ANY MEANS, ELECTRONIC OR MECHANICAL, INCLUDING PHOTOCOPYING, RECORDING, OR BY ANY INFORMATION STORAGE AND RETRIEVAL SYSTEM, WITHOUT THE WRITTEN CONSENT OF ANTCOM CORP.

SPECIFICATIONS

ELECTRICAL:

		L1: (1575.42 ±12) MHz		L2: (1227.60 ±12) MHz			
RADIATION PATTERN:		HEMISPHERICAL					
POLARIZATION:		RHCP		RHCP			
VSWR:		< 1.5:1		< 1.5:1			
IMPEDANCE:		50 ohms		50 ohms			
ANTENNA GAIN (dBic):		Free Space	3 in G.P.	4 ft G.P.	Free Space	3 in G.P.	4 ft G.P.
@ 90° (ZENITH):		+3.7	+4.7	+3.1	-1.7	+3.3	+4.5
@ 10° Elevation:		-2.9	-1.8	-1.9	-7.3	-3.8	-3.5
@ 20° Elevation:		-1.3	-0.3	+0.6	-6.2	-2.0	-0.8
@ 30° Elevation:		0.0	+1.4	+1.7	-5.2	-0.5	+1.4
@ 60-90° Elevation:		> 3.0	> 3.9	> 2.4	> -3.2	> 2.7	> 2.2
BEAM WIDTH(3dB):		108 Deg.	114 Deg.	143 Deg.	100 Deg.	106 Deg.	74 Deg.
AXIAL RATIO:		2 dB		2 dB			
LIGHTNING PROTECTION:		DC GROUNDING					

LNA OPTION:

LNA GAIN:	20 dB	20 dB
LNA NOISE FIGURE:	1.9 dB	1.8 dB
LNA P1dB Out:	+13 dBm	+13 dBm
LNA DC POWER:	2.5V/10mA, 3V/10mA, 3.3V/12mA, (2.5-24V)/<20mA	
POWER HANDLING:	1 Watt CW, MORE WITH LIMITER OPTION	

MECHANICAL:

SIZE: 1.900in [48.26mm] Square
 HEIGHT: 0.631 in. [16.03 mm]
 WEIGHT: 3.8 oz. (107g)
 FINISH: SKYDROL RESISTANT POLYURETHANE ENAMEL
 BASE IRIDIUM PER MIL-C-5441
 MATERIAL: 6061-T6 ALUMINUM ALLOY BASE
 COMPOSITE RADOME, IMPACT, ABRASION, UV, SOLVENT,
 SKYDROL RESISTANCE, AND FIRE RETARDANT
 CONNECTOR: 6.5in RIGHT ANGLE SSMC MALE CABLE
 (OPTION: SMB, SMC, SSMA, SSMA, SSMC, SSMC
 MCX, MMCX, TNC, OR N)

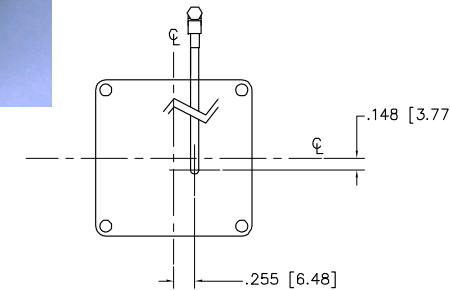
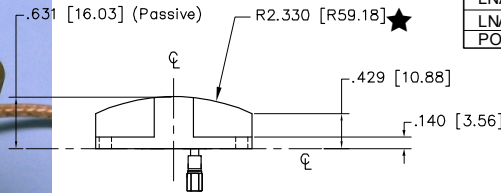
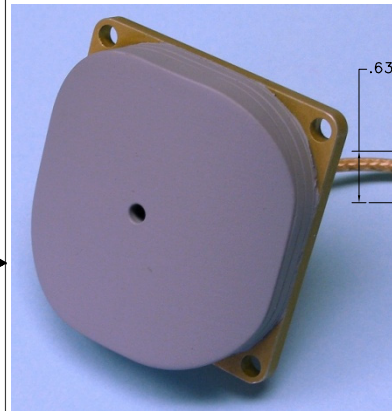
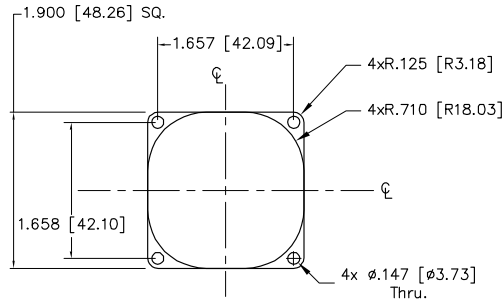
ENVIRONMENTAL:

TEMPERATURE: -67 °F TO +185 °F [-55 °C TO +85 °C]
 ALTITUDE: 70,000 ft.
 VIBRATION: > 30 G's
 LEAKAGE: HERMETICALLY SEAL

FEDERAL & MILITARY SPECIFICATIONS:

DESIGN TO: FAA TSO-C144, DO-160D, D0-228, MIL-C-5541,
 MIL-E-5400, MIL-I-45208A, MIL-STD-810, AND SAE J1455

ACCEPTANCE TEST PROCEDURE: ATP-GPS-L1L2-100



SIZE	FREQ. BAND	LNA
1: 2" SQ.	1215: L1/L2	A2: WITH 20 dB LNA
1.9: 1.9" SQ.	15: L1 ONLY	A4: WITH 40 dB LNA
2: 2.6" DIA.		P: WITHOUT LNA
3: 3.5" DIA.		PL: WITHOUT LNA WITH LIMITER
4: MINI ARINC		

P/N: 1.9G1215P-6.5RSSMC-2-2.33

CABLE LENGTH	CONNECTOR	COLOR
X: NO CABLE	S: SMA, RS: R-SMA, P: PINS	-1: GLOSS WHITE #17925 PER FED-STD-595B
M: MAG. N: NO MAG	M: MCX, MM: MMCX, SMB	-2: LUSTERLESS GRAY #36320 PER FED-STD-595B
#: CABLE LENGTH (IN)	SMA, SSMC, SSMC, SSMP	-3: OLIVE DRAB GREEN #34031 PER FED-STD-595B
R: RIGHT ANGLE CON.	T, TB: TNC, TNC-Bulkhead	-4: LUSTERLESS BLACK #37038 PER FED-STD-595B

CONFORMAL RADIUS OPTION:
-3: 3.000" RADIUS (SDBII)
-3.5N: 3.500" RADIUS (NETFIRE GMLRS NLOS)
-4P: 4.000" RADIUS (PAVEWAY)
-6M: 6.000" RADIUS (MAVERICK)
-7.5EM: 7.500" RADIUS (EGBU, MALD)
-14A: 14.000" RADIUS (ACM)
-X: X" RADIUS (0: Flat, No Radius)
-F: FLAT (WITHOUT RADOME)

QUANTITY REQD	DESCRIPTION	PART NO	SPECIFICATION	MATERIAL	FINISH	REV
						5
1						3
1						2
1						1

UNLESS OTHERWISE SPECIFIED DIMENSIONS ARE IN INCHES
 FRACTIONS DECIMALS ANGLES
 1/16 0.0625 30° 0.5236
 1/32 0.03125 45° 0.7854
 1/64 0.015625 60° 1.0472
 1/128 0.0078125 75° 1.3090
 1/256 0.00390625 90° 1.5708
 1/512 0.001953125 105° 1.8326
 1/1024 0.0009765625 120° 2.0944
 1/2048 0.00048828125 135° 2.3562
 1/4096 0.000244140625 150° 2.6180
 1/8192 0.0001220703125 165° 2.8798
 1/16384 0.00006103515625 180° 3.1416

ANTCOM CORP. TORRANCE CALIFORNIA
 Low Profile 1.9" SQ. Conformal L1/L2 GPS ANTENNA
 DRAWN BY: S. HUYNH
 DATE: 19-04-2016
 CHECKED BY: S. HUYNH
 DATE: 19-04-2016
 APPROVED BY: S. HUYNH
 DATE: 19-04-2016
 DO NOT SCALE DRAWING
 SCALE 1/1
 SHEET 1 OF 1