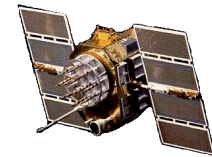




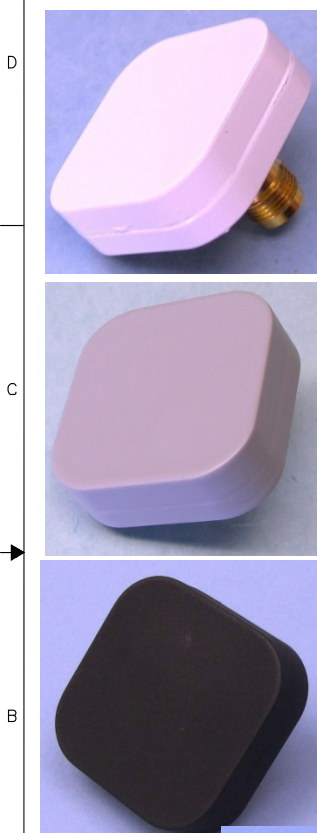
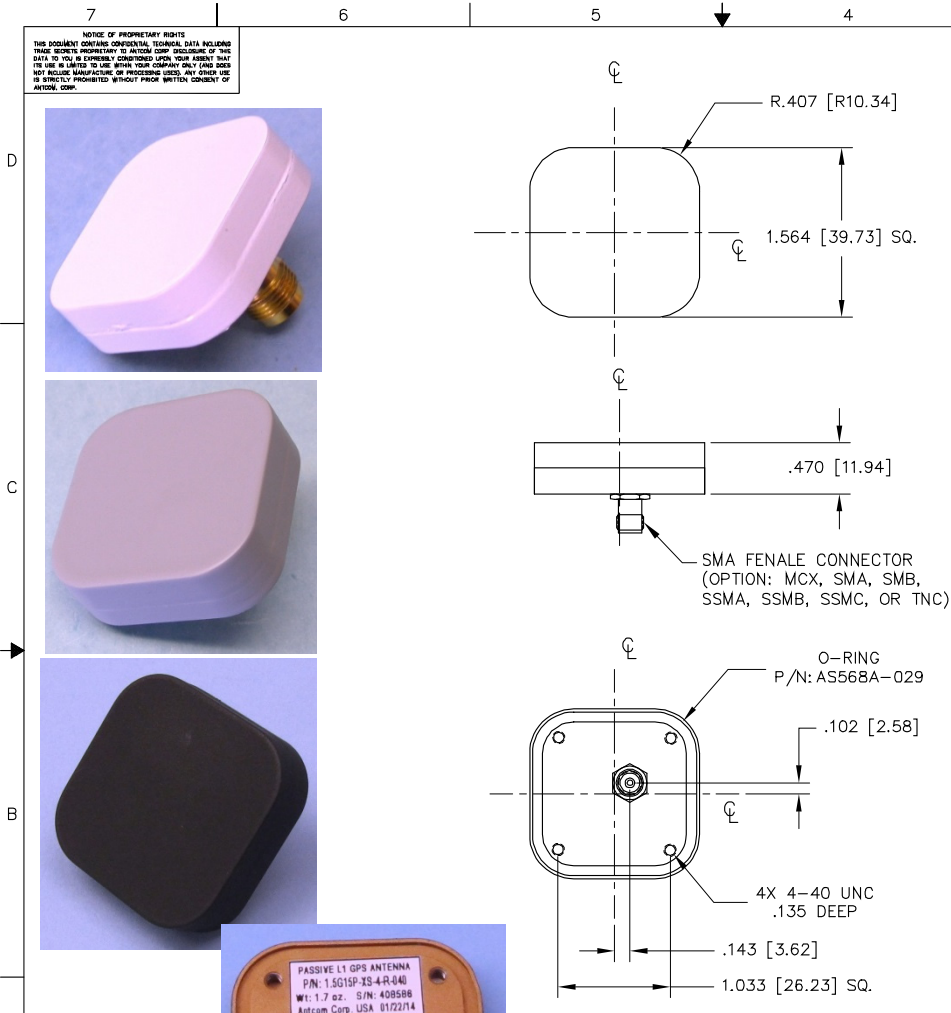
ISO 9001:2008/FAA Approved Facility

L1 GPS Antennas, P/N: 1.5G15X-XS-X-R-040
 P/N: 1.5G15P-XS-4-R-040 (Passive, SMA, Black)

1.5" Square, Back Mount Configuration, Walls Fully Painted



ANTCOM CORPORATION . 367 Van Ness Way, Suite 602 . Torrance, CA 90501 . Tel: (310) 782-1076 . Fax: (310) 782-1086 . E-mail: antennas@antcom.com . http://www.antcom.com



2. MOUNTING SCREWS ARE SUPPLIED BY ANTCOM CORPORATION
1. DIMENSIONS IN BRACKETS ARE IN MILLIMETERS [mm]

NOTES: UNLESS OTHERWISE SPECIFIED:

SPECIFICATIONS

ZONE		REVISIONS		
REV	DESCRIPTION	DATE	APPROVED	
A	HEIGHT	04/08/16	SH	

ELECTRICAL:

FREQUENCY:	L1: (1575.42 ±12) MHz		
RADIATION PATTERN:	HEMISPHERICAL		
POLARIZATION:	RHCP		
VSWR:	< 1.5:1		
IMPEDANCE:	50 ohms		
ANTENNA GAIN (dBic):	Free Space	16 in G.P.	4 ft G.P.
@ 90 ° (ZENITH):	+ 4.6	+ 0.3	+ 2.9
@ 10 ° Elevation:	- 2.5	- 3.1	- 1.8
@ 20 ° Elevation:	- 1.1	- 1.1	+ 0.7
@ 30 ° Elevation:	+ 0.5	+ 0.9	+ 1.7
@ 60 - 90° Elevation:	> 3.6	+3.1/+0.3	> 2.1
BEAM WIDTH (3dB):	103 Deg.	120 Deg.	146 Deg.
AXIAL RATIO:	2 dB		
LIGHTNING PROTECTION:	DC GROUNDING		

LNA (OPTION):

LNA GAIN:	22 dB
LNA NOISE FIGURE:	2.6 dB
LNA P1dB Out:	+13 dBm
LNA DC POWER:	(3-10) Volts/ 20mA
POWER HANDLING:	1 Watt CW

MECHANICAL:

SIZE:	1.57in Square
HEIGHT:	HEIGHT=0.470 in. [11.94 mm]
WEIGHT:	1.7 oz. (48.2 g)
FINISH:	SKYDROL RESISTANT POLYURETHANE ENAMEL BASE IRIDITE PER MIL-C-5441F
COLOR:	GLOSS WHITE #17925 PER FED-STD-595B LUSTERLESS GRAY #36320 PER FED-STD-595B OLIVE DRAB GREEN #34031 PER FED-STD-595B LUSTERLESS BLACK #37038 PER FED-STD-595B
MATERIAL:	6061-T6 ALUMINUM ALLOY BASE COMPOSITE RADOME, IMPACT, ABRASION, UV, SOLVENT, AND SKYDROL RESISTANCE, FIRE RETARDANT
CONNECTOR:	FEMALE SMA CONNECTOR (OPTION: MCX, SMA, SMB, SSMA, SSMB, SSMC, OR TNC)

ENVIRONMENTAL:

TEMPERATURE:	-67 °F to +185 °F [-55 °C to +85 °C]
ALTITUDE:	70,000 ft.
VIBRATION:	> 30 G's
LEAKAGE:	HERMETICALLY SEAL

FEDERAL & MILITARY SPECIFICATIONS:

DESIGN TO: MIL-E-5400, MIL-I-45208A, MIL-STD-810, AND SAE J1455
 FAA TSO-C144, DO-160D, DO-228, MIL-C-5541.

SIZE:	FREQ. BAND:	LNA:
1: 2" SQ.	1625: Tx/Rx	A: ACTIVE (WITH LNA)
1.5: 1.6" SQ.	25: 2493 MHz	P: WITHOUT LNA
2: 2.6" DIA.	16: 1616 MHz	
3: 3.5" DIA.	15: 1575 MHz	
4: MINI ARINC		

QUANTITY	REQD	DESCRIPTION	PART NO	MATERIAL	FINISH	ITEM NO
1		O-RING	AS568A-029 (Item 553-029)	-	-	1
-2	-1					

CABLE LENGTH:	CONNECTOR:	COLOR:
X: NO CABLE	S: SMA; P: PINS	1: GLOSS WHITE #17925 PER FED-STD-595B
M: WITH MAG. MOUNT	M: MCX; MM: MMCX	2: LUSTERLESS GRAY #36320 PER FED-STD-595B
#: CABLE LENGTH (IN)	N: N (Optional Bulkhead)	3: OLIVE DRAB GREEN #34031 PER FED-STD-595B
R: RIGHT ANGLE CON.	T: TNC (Optional Bulkhead)	4: LUSTERLESS BLACK #37038 PER FED-STD-595B

UNLESS OTHERWISE SPECIFIED	EMERGENCY USE ONLY	ANGLES
FRACTIONS: DENOMINATORS	± 1/64	± 1°
TOLERANCE SVM PER ANSI Y14.5		
REMOVE ALL BURRS		
BREAK EXTERNAL EDGES .005 TO .015		
DRILL TO .005 TO .015		
DRILL ON A COMMON 6° TO 8°		
MACHINED SURFACES		
DO NOT SCALE DRAWING		

ANTCOM CORP. TORRANCE, CALIFORNIA

1.5" SQ. FLAT MOUNT
L1 GPS ANTENNA

REV	DATE	BY	CHK
D	3CVE1	1.5G15X-XX-X-R-040	A

SCALE 1/1 SHEET 1 OF 1

NMO Connector Option is Now Available for Some Antennas