



Active L1 GPS/ Wi-Fi Antenna for Deep Sea Applications

P/N: 1.5G1524RR-AP-XSS-UU-OR

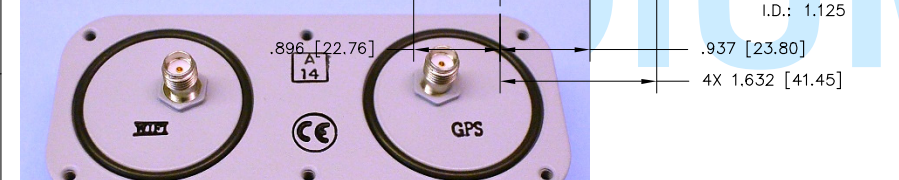
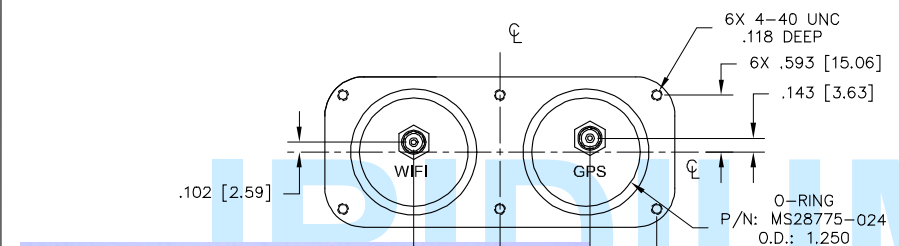
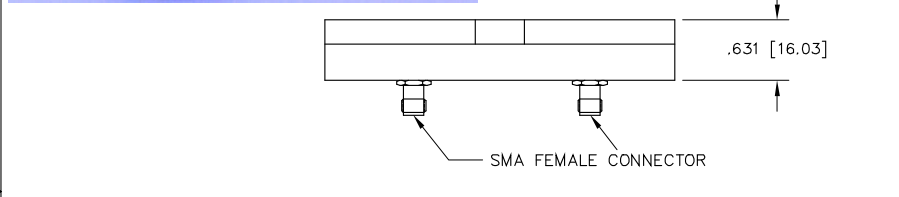
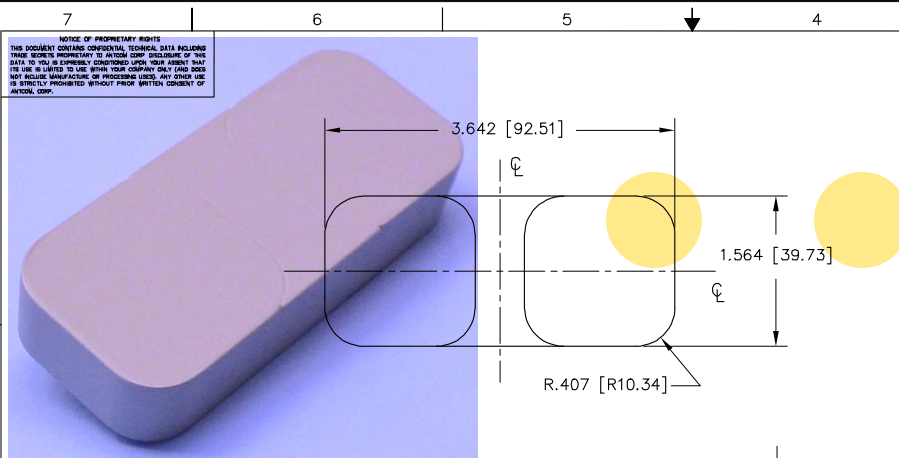
Other Frequencies and Connectors are Available. *Depth Rate = 10 Km (14555 PSI)*



ISO 9001:2008/FAA Approved Facility

Antenna Mounts: <http://www.antcom.com/documents/catalogs/PeripheralAntennaProducts2.pdf>

ANTCOM CORPORATION . 367 Van Ness Way, Suite 602 . Torrance, CA 90501, USA . Tel: (310) 782-1076 . Fax: (310) 782-1086 . E-mail: antennas@antcom.com . <http://www.antcom.com>



CONFIGURATION:	FREQ. BAND:	GPS/IRIDIUM LNA:	GPS/IRIDIUM CONNECTOR:	COLOR:
1: 2" SQ. (FLAT)	1515: L1 GPS & IRIDIUM	S: SMA; P: FINS	-R: GLOSS WHITE #17525 PER FED-STD-595B	
1.5: 1.9" SQ. (FLAT)	1216: L1/L2 GPS & IRIDIUM	A: WITH LNA	-L: LUSTERLESS GRAY #36320 PER FED-STD-595B	
2: 2.6" DIA. (FLAT)	1626: GLOBALSTAR	A2: WITH 20dB LNA	-C: CAMO GREEN #34094 PER FED-STD-595B	
3: 3.5" DIA. (FLAT)	1523: GPS & XM	N: N; NB: N-Bulkhead	-B: LUSTERLESS BLACK #37038 PER FED-STD-595B	
4: MINI ARINC (FLAT)	1524: GPS & Wi-Fi	T: TNC; TB: TNC; Bulkhead	-D: DESERT TAN #33446 PER FED-STD-595B	
5B: (HELIX ROD)			-R: DESERT TAN #33446 PER FED-STD-595B	
5B: (HELIX BLADE)			-U: Teflon Coated for Under Water Application	
3D: (HELIX HANDHELD)				

P/N: 1.5G1524RR-AP-XSS-UU-OR

SPECIFICATIONS

REVISIONS		DATE	APPROVED
1			

ELECTRICAL:	GPS		WIFI	
	FREQUENCY:	L1: (1575.42 ±13)	(2400 - 2500) MHz	
RADIATION PATTERN:	HEMISPHERICAL		HEMISPHERICAL	
POLARIZATION:	RHCP		RHCP	
VSWR:	< 1.5:1		< 1.5:1	
GAIN (dB):	F.S.	4 ft G.P.	F.S.	4 ft G.P.
@ 90° Zenith:	+ 4.6	+ 2.9	+5.1	+4.6
@ 10° Elevation:	- 2.5	- 1.8	-2.1	-1.1
@ 20° Elevation:	- 1.1	+ 0.7	-0.3	+1.9
@ 30° Elevation:	+ 0.5	+ 1.7	+1.1	+2.6
@ 60° to 90° Elevation:	> 3.6	> 2.1	+4.6	+4.0
BEAM WIDTH (3dB):	103°	146°	99°	139°
AXIAL RATIO @ Zenith:	2 dB		2 dB	
POWER HANDLING:	1 Watt		1 Watt	
FILTER (REJ. @1616 MHz):	> 60 dB		N/A	
LNA GAIN:	(33.0±1.0) dB, 20dB (-A2- Option)		N/A	
LNA P 1dB Out:	+16 dBm		N/A	
LNA NOISE FIGURE:	2.8 dB (Filter loss is Included)		N/A	
VOLTAGE/CURRENT:	(+2.8 TO +28) Volts DC / (30 TO 50) mA		N/A	

MECHANICAL:

SIZE: WIDTH: 1.564 in. [39.73 mm], LENGTH: 3.642 in [92.51 mm], HEIGHT: 0.631 in. [16.03 mm]
 WEIGHT: 3.5 oz. (99 g)
 FINISH: TEFLON COATED
 MATERIAL: 6061-T6 ALUMINUM ALLOY BASE COMPOSITE RADOME, IMPACT, ABRASION, UV, SOLVENT AND SKYDROL RESISTANCE, FIRE RETARDANT
 CONNECTOR: SMA FEMALE (OPTION: SMA, TNC Bulkhead, N, N Bulkhead, MCX, MMCX)

ENVIRONMENTAL:

TEMPERATURE: -67 °F TO +185 °F [-55 °C TO +85 °C]
 ALTITUDE: 70,000 ft.
 VIBRATION: > 30 G's
 LEAKAGE: HERMETICALLY SEALED

FEDERAL & MILITARY SPECIFICATIONS:

DESIGN TO: FAA TSO-C144, DO-160D, DO-228, MIL-C-5541, MIL-E-5400, MIL-I-45208A, MIL-STD-810, AND SAE J1455

QTY	DESCRIPTION	PART NO	MATERIAL	FINISH	UNL
1	O-RING, MS28775-024	94115K024 (ITEM 553)	-	-	2

DATE	BY	DESCRIPTION
Jan-06-14	S. HUYNH	ORIGINAL DESIGN
Jan-06-14	S. HUYNH	ORIGINAL DESIGN
Sept-27-16	S. HUYNH	UPDATE
Sept-27-16	S. HUYNH	UPDATE DESIGN
Sept-27-16	S. HUYNH	APPROVED

ANTCOM CORP. TORRANCE, CALIFORNIA	
Active L1 GPS/WIFI Antenna	
SCALE 1/1	SHEET 1 OF 1