



Hermetically Sealed, Ruggedized and High Vibration/Shock Resistant Active GPS/Glonass Antenna

P/N: 1.3G1215A2-XSM-4-FC (L1/L2), P/N: 1.3G15A2-XSM-4-FC (L1)

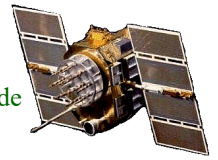
L1/Inmarsat/Iridium: P/N: 1.3GL1RxINA2-XSM-4-FC (Active Rx only), P/N: 1.3GL1RxINP-XSM-4-FC (Passive Tx/Rx)

Other Frequency Bands are also Available. **Top Mount Configuration with O-Ring.** Fully Sealed and Potted with No Air Cavity Inside

Gooseneck and Other Mounts: <http://www.antcom.com/documents/catalogs/PeripheralAntennaProducts2.pdf>

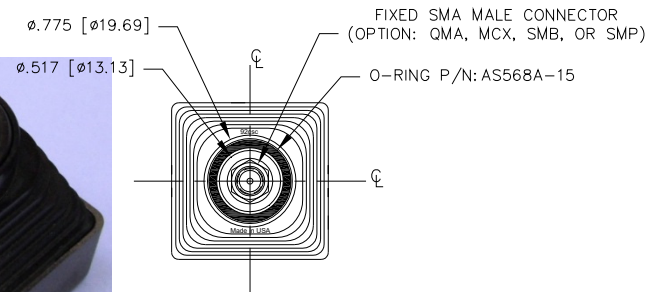
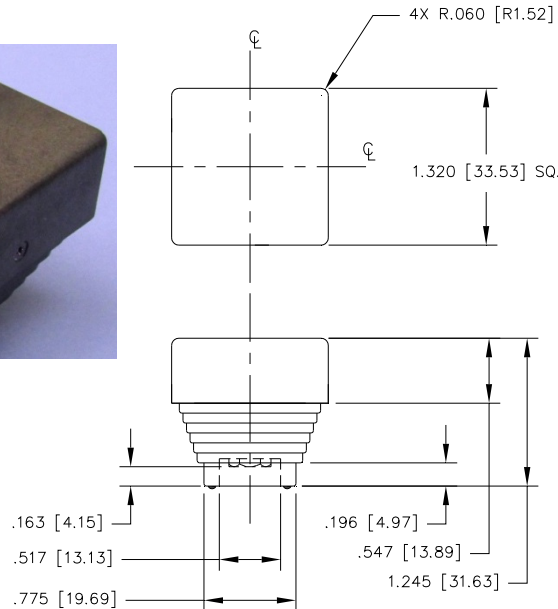
ISO 9001:2008/FAA Approved Facility

Antenna Mounts: <http://www.antcom.com/documents/catalogs/PeripheralAntennaProducts2.pdf>



ANTCOM CORPORATION . 367 Van Ness Way, #602 . Torrance, CA 90501 . Tel: (310) 782-1076 . Fax: (310) 782-1086 . E-mail: antennas@antcom.com . <http://www.antcom.com>

NOTICE OF PROPRIETARY RIGHTS
THIS DOCUMENT CONTAINS CONFIDENTIAL TECHNICAL DATA INCLUDING TRADE SECRETS PROPRIETARY TO ANTCOM CORP. DISCLOSURE OF THIS DATA TO YOU IS EXPRESSLY CONDITIONED UPON YOUR ASSENT THAT ITS USE IS LIMITED TO USE WITHIN YOUR COMPANY ONLY AND DOES NOT INCLUDE MANUFACTURE OR PROCESSING (TEST). ANY OTHER USE IS EXPRESSLY PROHIBITED WITHOUT PRIOR WRITTEN CONSENT OF ANTCOM CORP.



SIZE:	FREQ. BAND:	LNA:
1: 2" SQ	1215: L1/L2 GPS/GLONASS	A2: WITH 20 dB LNA
1.9: 1.9" SQ	15: L1 GPS/GLONASS	A4: WITH 43 dB LNA
2: 2.6" DIA.	B3B1	P: WITHOUT LNA
3: 3.5" DIA.	B3L1	
4: MINI ARINC	L1RxIN	

P/N: 1.3G1215A2-XSM-X-FC

CABLE'S LENGTH:	CONNECTOR:	COLOR:
X: NO CABLE	SM: SMA Male; OF: QMA Female	-1: GLOSS WHITE #17925 PER FED-STD-595B
M: MAG. N; NO MAG.	M: MCX Male	-2: LUSTERLESS GRAY #36320 PER FED-STD-595B
#: CABLE LENGTH (IN)	SMPM: SMP MALE; SMPF: SMP FEMALE	-3: OLIVE DRAB GREEN #34094 PER FED-STD-595B
R: RIGHT ANGLE CON.	SMBP: SMB Plug	-4: LUSTERLESS BLACK #37038 PER FED-STD-595B
		-5: TAN #33446 PER FED-STD-595B

1. DIMENSIONS IN BRACKETS ARE IN MILLIMETERS [mm]
NOTES: UNLESS OTHERWISE SPECIFIED:

SPECIFICATIONS

ELECTRICAL:

L1 GPS: 1575.42 ± 15.0 MHz		L2 GPS: 1227.60 ± 12 MHz	
L1 GLONASS: 1598 - 1609 MHz		L2 GLONASS: 1242 - 1252 MHz	
FREQUENCY:	HEMISPHERICAL		
RADIATION PATTERN:	RHCP		
POLARIZATION:	RHCP		
VSWR:	< 2.0:1	< 2.0:1	< 2.0:1
IMPEDANCE:	50 ohms	50 ohms	50 ohms
ANTENNA GAIN (dBic):	Free Space	3 in G.P.	Free Space
@ 90 ° (ZENITH):	+ 0.4	+ 3.2	- 2.2
@ 10 ° Elevation:	- 4.6	- 4.1	- 10.6
@ 15 ° Elevation:	- 4.5	- 3.8	- 8.5
@ 20 ° Elevation:	- 4.5	- 3.5	- 6.3
@ 30 ° Elevation:	- 3.3	- 1.8	- 4.0
@ 40 ° Elevation:	- 2.5	- 0.6	- 3.3
@ 50 ° Elevation:	- 2.0	+ 0.5	- 3.3
@ 60 ° Elevation:	- 1.5	+ 1.5	- 3.3
@ 70 ° Elevation:	- 0.7	+ 2.4	- 3.2
@ 80 ° Elevation:	+ 0.1	+ 3.0	- 3.2
BEAM WIDTH (3dB):	100 Deg.	80 Deg.	100 Deg.
AXIAL RATIO:	1.0 dB		3.0 dB
LIGHTNING PROTECTION:	DC GROUNDING		

LNA OPTION:

LNA GAIN: 24.0 dB (Option: 43 dB)
LNA NOISE FIGURE: 1.8 dB
LNA P 1dB Out: +10 dB
VOLTAGE/CURRENT: (+2.8 TO +28) Volts DC / (15 TO 25) mA

MECHANICAL:

SIZE: 1.320 in [33.53 mm] SQ.
HEIGHT: 1.245 in. [31.63 mm]
WEIGHT: 1.82 oz. (51.6 g)
FINISH: BASE: HARD BLACK ANODIZE PER MIL-A-8625F, TYPE III, CLASS 2
RADOME: SKYDROL RESISTANT POLYURETHANE ENAMEL PER FED-STD-595B
MATERIAL: 6061-T6 ALUMINUM ALLOY BASE
COMPOSITE RADOME, ABRASION, UV, SOLVENT, SKYDROL RESISTANCE, AND FIRE RETARDANT
CONNECTOR: FIXED SMA MALE
(OPTION: QMA, MCX, SMB, OR SMP)

ENVIRONMENTAL:

TEMPERATURE: -67 °F TO +185 °F [-55 °C TO +85 °C]
ALTITUDE: 70,000 ft.
VIBRATION: ~ 20K G's
LEAKAGE: HERMETICALLY SEAL

FEDERAL & MILITARY SPECIFICATIONS:

DESIGN TO: FAA TSO-C144, DO-160D, DO-228, MIL-C-5541, MIL-E-5400, MIL-I-45208A, MIL-STD-810, AND SAE J1455

ACCEPTANCE TEST PROCEDURE: ATP-GPS-L1L2-100

1	0-RING	AS568A-15	-	-	-	1
QUANTITY REQD	DESCRIPTION	PART NO	SPECIFICATION	MATERIAL	FINISH	ITEM NO
PARTS LIST						
UNLESS OTHERWISE SPECIFIED DIMENSIONS ARE IN INCHES FRACTIONS DECIMALS ANGLES ± 1/64 .xxx .xxx & °						
TOLERANCE SURF PER ANSI #14.5 REMOVE ALL BURRS PER MIL-BUSINESS 2005 TO .015 FILED IN 90 DEGREE PER MIL-S-8879 DAYS ON A CORNER ± .005 MACHINED SURFACES 2/						
DO NOT SCALE DRAWING						
ANTCOM CORP. TORRANCE CALIFORNIA		GPS/Satcom ANTENNA				
D 3CVE1		1.3G1215A2-XSM-X-FC				
SCALE 1/1		SHEET 1 OF 1				

NMO Connector Option is Now Available for Some Antennas