

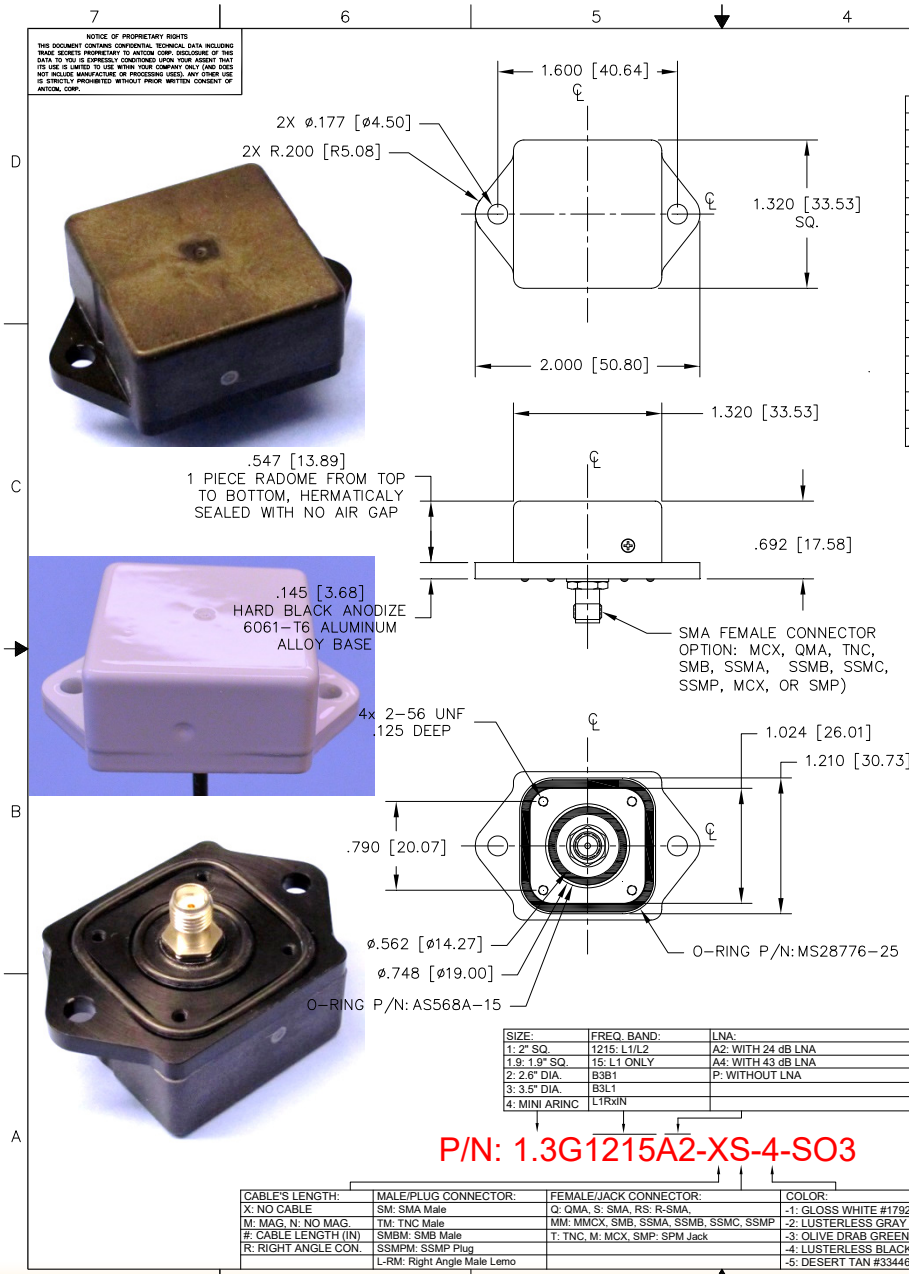


FAA Approved Facility

Hermetically Sealed, Ruggedized and High Vibration/Shock Resistant Active GPS/Glonass Antenna
 P/N: 1.3G1215A2-XS-4-SO3 (L1/L2), P/N: 1.3G15A2-XS-4-SO3 (L1)
 L1/Inmarsat/Iridium: P/N: 1.3GL1RxINA2-XS-4-SO3 (Active Rx only), P/N: 1.3GL1RxINP-XS-4-SO3 (Passive Tx/Rx)
 Other Frequency Bands are also Available
Top or Back Mount, Bottom Connector Configuration with Dual O-Ring
 Antenna Mounts: <http://www.antcom.com/documents/catalogs/PeripheralAntennaProducts2.pdf>



ANTCOM CORPORATION . 367 Van Ness Way, Suite 602 . Torrance, CA 90501 . Tel: (310) 782-1076 . Fax: (310) 782-1086 . E-mail: antennas@antcom.com . <http://www.antcom.com>



SPECIFICATIONS

ELECTRICAL:

L1 GPS: 1575.42 ± 15.0 MHz		L2 GPS: 1227.60 ± 12 MHz	
L1 GLONASS: 1598 - 1609 MHz		L2 GLONASS: 1242 - 1252 MHz	
FREQUENCY:			
RADIATION PATTERN:	HEMISPHERICAL		
POLARIZATION:	RHCP		
VSWR:	< 2.0:1		
IMPEDANCE:	50 ohms		
ANTENNA GAIN (dBic):	Free Space	3 in G.P.	Free Space
@ 90 ° (ZENITH):	+ 0.4	+ 3.2	- 2.2
@ 10 ° Elevation:	- 4.6	- 4.1	- 10.6
@ 15 ° Elevation:	- 4.5	- 3.8	- 8.5
@ 20 ° Elevation:	- 4.5	- 3.5	- 6.3
@ 30 ° Elevation:	- 3.3	- 1.8	- 4.0
@ 40 ° Elevation:	- 2.5	- 0.6	- 3.3
@ 50 ° Elevation:	- 2.0	+ 0.5	- 3.3
@ 60 ° Elevation:	- 1.5	+ 1.5	- 3.3
@ 70 ° Elevation:	- 0.7	+ 2.4	- 3.2
@ 80 ° Elevation:	+ 0.1	+ 3.0	- 3.2
BEAM WIDTH (3dB):	100 Deg.	80 Deg.	100 Deg.
AXIAL RATIO:	1.0 dB		3.0 dB
LIGHTNING PROTECTION:	DC GROUNDING		

LNA OPTION:

LNA GAIN: 24.0 dB (Option: 43 dB)
 LNA NOISE FIGURE: 1.8 dB
 LNA P 1dB Out: +10 dB
 VOLTAGE/CURRENT: (+2.8 TO +28) Volts DC / (15 TO 25) mA

MECHANICAL:

SIZE: 1.320 in. [33.53 mm] X 2.00in. [50.80 mm]
 HEIGHT: .692 in [17.58 mm]
 WEIGHT: 2.1 oz. (59.5 g)
 FINISH: BASE: HARD BLACK ANODIZE PER MIL-A-8625F, TYPE III, CLASS 2
 RADOME: SKYDROL RESISTANT POLYURETHANE ENAMEL PER FED-STD-595B
 MATERIAL: 6061-T6 ALUMINUM ALLOY BASE
 COMPOSITE RADOME, ABRASION, UV, SOLVENT, SKYDROL RESISTANCE, AND FIRE RETARDANT
 CONNECTOR: SMA FEMALE CONNECTOR
 OPTION: MCX, QMA, TNC, SMB, SSMA, SSMB, SSMC, SSMP, MCX, OR SMP)

ENVIRONMENTAL:

TEMPERATURE: -67 °F TO +185 °F [-55 °C TO +85 °C]
 ALTITUDE: 70,000 ft.
 VIBRATION: ~ 20K G's
 LEAKAGE: HERMETICALLY SEAL

FEDERAL & MILITARY SPECIFICATIONS:

DESIGN TO: FAA TSO-C144, DO-160D, D0-228, MIL-C-5541, MIL-E-5400, MIL-I-45208A, MIL-STD-810, AND SAE J1455

ACCEPTANCE TEST PROCEDURE: ATP-GPS-L1L2-100

QUANTITY REQD	DESCRIPTION	PART NO	SPECIFICATION	MATERIAL	FINISH	ITEM NO
2	O-RING	MS28776-15	-	-	-	2
1	O-RING	MS28776-25	-	-	-	1

UNLESS OTHERWISE SPECIFIED DIMENSIONS ARE IN INCHES FRACTIONS DECIMALS ANGLES ± 1/64 .005 ± .015 ± 1°

REMOVE ALL BURRS BREAK OFF EXCESS .005 TO .015 SIZE W/ THREADS PER MIL-S-8879 DITS ON A CONFORM TO .005 MACHINED SURFACES

TOLERANCE 5M PER ANS I4.5

DO NOT SCALE DRAWING

ANTCOM CORP. TORRANCE CALIFORNIA
 HERMETICALLY SEALED ACTIVE L1/L2 GPS/GLONASS ANTENNA

DATE: 3/1/11
 SCALE: 1/1

P/N: 1.3G1215A2-XS-4-SO3

CABLE'S LENGTH:	MALE/PLUG CONNECTOR:	FEMALE/JACK CONNECTOR:	COLOR:
X: NO CABLE	SM: SMA Male	Q: QMA, S: SMA, RS: R-SMA	-1: GLOSS WHITE #17925 PER FED-STD-595B
M: MAG, N: NO MAG.	TM: TNC Male	MM: MMCX, SMB, SSMA, SSMB, SSMC, SSMP	-2: LUSTERLESS GRAY #36320 PER FED-STD-595B
#: CABLE LENGTH (IN)	SMBM: SMB Male	T: TNC, M: MCX, SMP: SPM Jack	-3: OLIVE DRAB GREEN #34094 PER FED-STD-595B
R: RIGHT ANGLE CON.	SSMPM: SSMP Plug	L-RM: Right Angle Male Lemo	-4: LUSTERLESS BLACK #37038 PER FED-STD-595B
			-5: DESERT TAN #33446 PER FED-STD-595B

NMO Connector Option is Now Available for Some Antennas