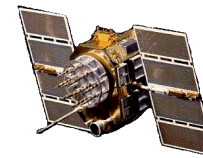




# L1/L2 GPS Antenna, P/N: 1.3G1215A-XXN-3

## 1.28" Square x .78" Height, Grommet Side Cable/Connector Configurations

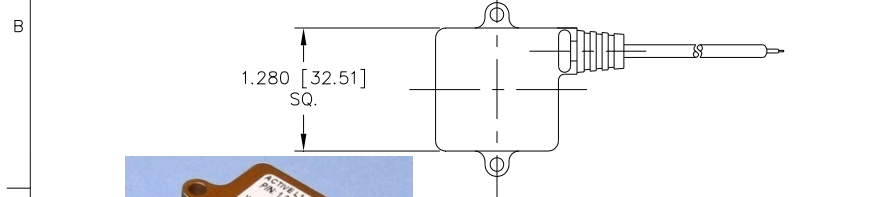
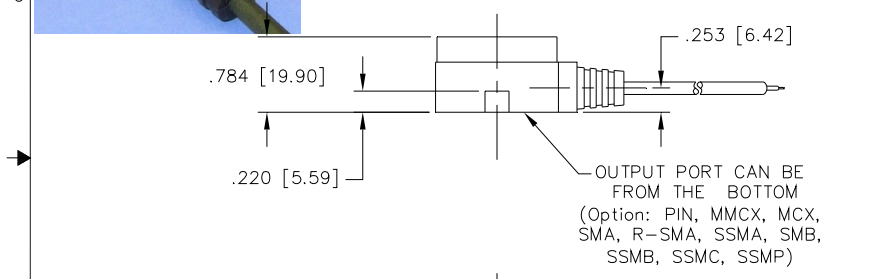
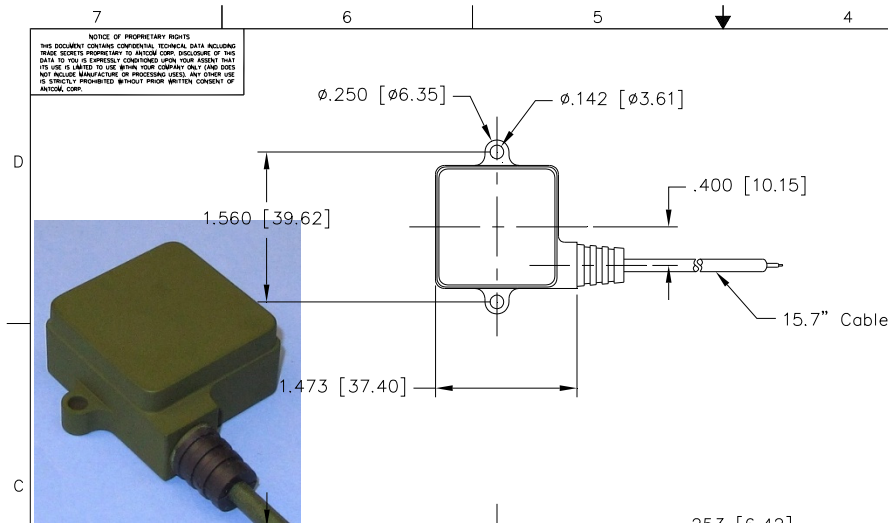


ISO 9001:2008/FAA Approved Facility

Antenna Mounts: <http://www.antcom.com/documents/catalogs/PeripheralAntennaProducts2.pdf>

ANTCOM CORPORATION . 367 Van Ness Way, #602 . Torrance, CA 90501 . Tel: (310) 782-1076 . Fax: (310) 782-1086 . E-mail: [antennas@antcom.com](mailto:antennas@antcom.com) . <http://www.antcom.com>

NOTICE OF PROPRIETARY RIGHTS  
THIS DOCUMENT CONTAINS CONFIDENTIAL TECHNICAL DATA INCLUDING TRADE SECRETS PROPRIETARY TO ANTCOM CORP. DISCLOSURE OF THIS DATA TO YOU IS EXPRESSLY CONDITIONED UPON YOUR AGREEMENT THAT ITS USE IS LIMITED TO USE WITHIN YOUR COMPANY ONLY AND DOES NOT INCLUDE MANUFACTURE OR REPRODUCTION. ANY OTHER USE IS EXPRESSLY PROHIBITED WITHOUT PRIOR WRITTEN CONSENT OF ANTCOM CORP.



1. DIMENSIONS IN BRACKETS ARE IN MILLIMETERS [mm]  
NOTES: UNLESS OTHERWISE SPECIFIED:

<b>CABLE'S LENGTH:</b>	<b>CONNECTOR:</b>	<b>COLOR:</b>
X: NO CABLE	S: SMA; RS: R-SMA; P: PINS; M: MCX	-1: GLOSS WHITE #17925 PER FED-STD-595B
M: MAG; N: NO MAG	MM: MMCX; SMB; SSMA; SSMB; SSMC	-2: LUSTERLESS GRAY #36320 PER FED-STD-595B
#: CABLE LENGTH (IN)	SSMP; T: TB; TNC; TNC-Bulkhead	-3: OLIVE DRAB GREEN #34094 PER FED-STD-595B
R: RIGHT ANGLE CON.	L-RM: Right Angle Male Lemo	-4: LUSTERLESS BLACK #37038 PER FED-STD-595B

**P/N: 1.3G1215A-XXN-3**

### SPECIFICATIONS

		REVISIONS				
		ZONE	REV	DESCRIPTION	DATE	APPROVED
<b>ELECTRICAL:</b>						
FREQUENCY:	L1: (1575.42 ±12) MHz	L2: (1227.60 ±12) MHz				
RADIATION PATTERN:	HEMISPHERICAL					
POLARIZATION:	RHCP					
VSWR:	< 1.5:1		< 1.5:1			
IMPEDANCE:	50 ohms		50 ohms			
ANTENNA GAIN (dBic):	Free Space	3 in G.P.	Free Space	3 in G.P.		
@ 90 ° (ZENITH):	-0.8	+3.8	-3.7	+2.7		
@ 10 ° Elevation:	-9.3	-4.3	-9.9	-6.3		
@ 20 ° Elevation:	-6.8	-2.2	-9.2	-4.2		
@ 30 ° Elevation:	-5.2	-0.7	-7.8	-2.4		
@ 60 - 90 ° Elevation:	> -2.1	> 2.5	> -4.7	> 1.3		
BEAM WIDTH (3dB):	100 Deg.	120 Deg.	100 Deg.	90 Deg.		
AXIAL RATIO:	2.5 dB					
LIGHTNING PROTECTION:	DC GROUNDING					

**LNA OPTION:**

LNA GAIN:	24.0 dB
LNA NOISE FIGURE:	1.8 dB
LNA P 1dB Out:	+16 dBm
VOLTAGE/CURRENT:	(+2.8 TO +28) Volts DC / (15 TO 25) mA

**MECHANICAL:**

SIZE: 1.280 in. [32.51 mm] SQ.  
HEIGHT: 0.784 in. [13.89 mm]

WEIGHT: 1.7 oz. (48.2 g)

FINISH: SKYDROL RESISTANT POLYURETHANE ENAMEL BASE IRIDITE PER MIL-C-5441

MATERIAL: 6061-T6 ALUMINUM ALLOY BASE COMPOSITE RADOME, ABRASION, UV, SOLVENT, SKYDROL RESISTANCE, AND FIRE RETARDANT

CONNECTOR: 15.7" Cable (Option: PIN, MMCX, MCX, SMA, R-SMA, SMB, SSMA, SSMB, SSMC, or SSMP)

**ENVIRONMENTAL:**

TEMPERATURE: -67 °F TO +185 °F [-55 °C TO +85 °C]

ALTITUDE: 70,000 ft.

VIBRATION: > 30 G's

LEAKAGE: HERMETICALLY SEAL

**FEDERAL & MILITARY SPECIFICATIONS:**

**DESIGN TO:** FAA TSO-C144, DO-160D, D0-228, MIL-C-5541, MIL-E-5400, MIL-I-45208A, MIL-STD-810, AND SAE J1455

**ACCEPTANCE TEST PROCEDURE:** ATP-GPS-L1L2-100

QUANTITY REQD	DESCRIPTION	PART NO	SPECIFICATION	MATERIAL	FINISH	TUM NO
1	ADHESIVE GASKET	12345G-3M-1.2G	-	-	-	3
1						2
1						1
-2	-1					

UNLESS OTHERWISE SPECIFIED DIMENSIONS ARE IN INCHES FRACTIONS: DECIMALS: ANGLES: ± 1/64 .005 .002 ± 11°

TOLERANCE ±.001 PER ANG 114.5 REMOVE ALL BURRS BREAK EXTERNAL EDGES .005 TO .015 FILE TO .001 ± .001 Scribe SURFACES PER MIL-E-8879 FILE TO A CORNER R .007±.005 MACHINED SURFACES: V

DO NOT SCALE DRAWING

**ANTCOM CORP.** TORRANCE, CALIFORNIA

OUTLINE DRAWING  
L1/L2 ACTIVE or PASSIVE  
GPS ANTENNA

DATE: 3CVE11.13G1215A-XXN-X-1  
SCALE: 1/1  
SHEET: 1 OF 1

NMO Connector Option is Now Available for Some Antennas