

# Isolated Ground Wifi Antenna

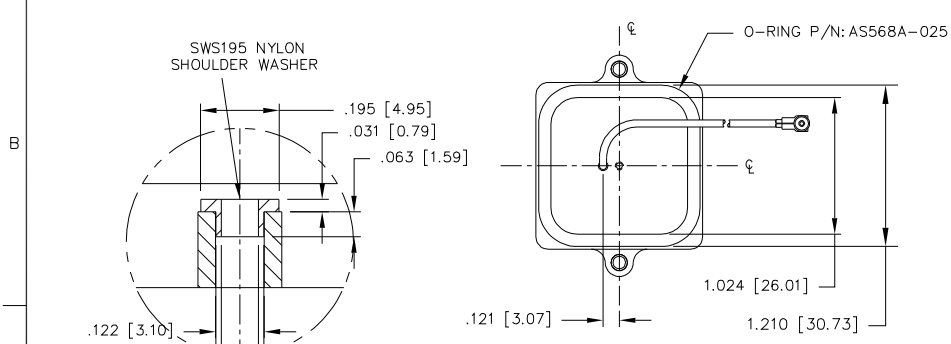
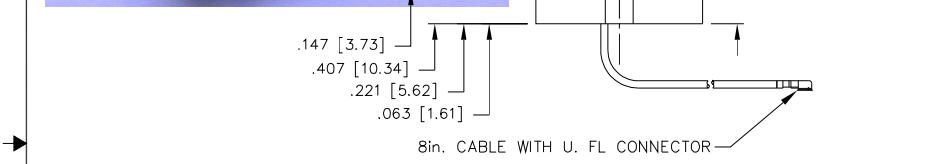
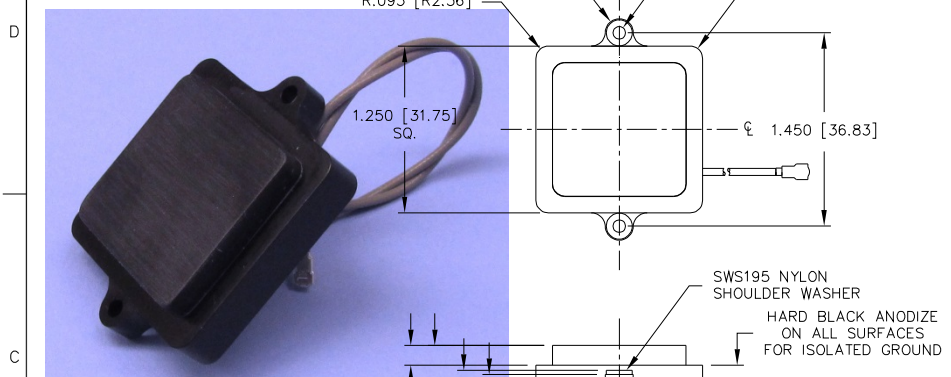
## P/N: 1.2G24P-LR-8UFL-4-0.4T-UGDC Rev A

### Back Mount Configuration with O-Ring, Black

Antenna Mounts/Adapters: <http://www.antcom.com/documents/catalogs/PeripheralAntennaProducts2.pdf>

**ANTCOM CORPORATION . 367 Van Ness Way, Suite 602 . Torrance, CA 90501 . Tel: (310) 782-1076 . Fax: (310) 782-1086 . E-mail: antennas@antcom.com . <http://www.antcom.com>**

**NOTICE OF PROPRIETARY RIGHTS**  
THIS DOCUMENT CONTAINS CONFIDENTIAL TECHNICAL DATA INCLUDING TRADE SECRETS PROPRIETARY TO ANTCOM CORP. DISCLOSURE OF THIS DATA TO YOU IS EXPRESSLY CONSIDERED UNLAWFUL. YOUR AGREEMENT TO THIS USE IS LIMITED TO USE WITHIN YOUR COMPANY ONLY AND DOES NOT INCLUDE MANUFACTURE OR REPRODUCTION. ANY OTHER USE IS EXPRESSLY PROHIBITED WITHOUT PRIOR WRITTEN CONSENT OF ANTCOM CORP.



SIZE:	FREQ. BAND:	POLARIZATION:	LNA:	FILTER:
1: 2" SQ.	1625 Tx/Rx	A1: WITH +23 dB LNA	LL: TX: LHCP, RX: LHCP	
1.5: 1.5" SQ.	24: 2.450 MHz	A2: WITH +43 dB LNA	LR: TX: LHCP, RX: RHCP	
2: 2.6" DIA.	16: 1616 MHz	P: WITHOUT LNA	RL: TX: RHCP, RX: LHCP	
3: 3.5" DIA.			RR: TX: RHCP, RX: RHCP	
4: MINI ARINC				

P/N: 1.2G24P-R-8UFL-4-0.4T-UGDC

- 2. MOUNTING SCREWS ARE SUPPLIED BY ANTCOM CORPORATION
- 1. DIMENSIONS IN BRACKETS ARE IN MILLIMETERS [mm]

NOTES: UNLESS OTHERWISE SPECIFIED:

CABLE'S LENGTH:	MALE/PLUG CONNECTOR:	COLOR:
X: NO CABLE	S: SMA; RS: R-SMA; P: PINS; M: MCX;	-1: GLOSS WHITE #17925 PER FED-STD-595B
M: WITH MAG. MOUNT	MM: MM/CX; SMB; SSMA, SSMB, SSMC;	-2: LUSTERLESS GRAY #36320 PER FED-STD-595B
#: CABLE LENGTH (IN)	SSMP; T; TB: TNC; TNC-Bulkhead	-3: OLIVE DRAB GREEN #34031 PER FED-STD-595B
R: RIGHT ANGLE CON.	L-RM: Right Angle Male Lemo	-4: LUSTERLESS BLACK #37038 PER FED-STD-595B
		-5: DESERT TAN #33446 PER FED-STD-595B

#### SPECIFICATIONS

#### ELECTRICAL:

FREQUENCY:	(2.4 - 2.5) GHz
RADIATION PATTERN:	HEMISPHERICAL
POLARIZATION:	RHCP
VSWR:	< 1.5:1
GAIN (dB):	4 ft G.P.
@ 90° (Zenith):	+4.6
@ 10° Elevation (Ave):	-1.1
@ 20° Elevation (Ave):	+1.9
@ 30° Elevation (Ave):	+2.6
@ 45° Elevation (Ave):	+3.0
@ 70° Elevation (Ave):	+4.0
Beam Width (3dB):	139°
AXIAL RATIO @ Zenith:	2.0 dB
IMPEDANCE:	50 Ohms
POWER HANDLING:	1 Watt

#### MECHANICAL:

- SIZE: 1.25in. [31.75 mm] SQ.  
HEIGHT= 0.407 in. [10.34 mm]
- WEIGHT: 1.05 oz. (30 g)
- FINISH: BASE: HARD BLACK ANODIZE PER MIL-A-8625F, TYPE III, CLASS 2  
RADOME: SKYDROL RESISTANT POLYURETHANE ENAMEL PER FED-STD-595B
- COLOR: GLOSS WHITE #17925 PER FED-STD-595B  
LUSTERLESS GRAY #36320 PER FED-STD-595B  
OLIVE DRAB GREEN #34031 PER FED-STD-595B  
LUSTERLESS BLACK #37038 PER FED-STD-595B
- MATERIAL: 6061-T6 ALUMINUM ALLOY BASE  
COMPOSITE RADOME, IMPACT, ABRASION, UV, SOLVENT, AND SKYDROL RESISTANCE, FIRE RETARDANT
- CONNECTOR: 4in. CABLE WITH U. FL CONNECTOR  
(OPTION: QMA, SMA, TNC, SMB, SSMA, SSMB, SSMC, SSMP, MCX, OR SMP)

#### ENVIRONMENTAL:

- TEMPERATURE: -67°F TO +185°F [-55°C TO +85°C]
- ALTITUDE: 70,000 ft.
- VIBRATION: > 30 G's
- LEAKAGE: HERMETICALLY SEALED

#### FEDERAL & MILITARY SPECIFICATIONS:

- DESIGN TO: FAA TSO-C144, DO-160B, DO-228, MIL-C-5541, MIL-E-5400, MIL-I-45208A, MIL-STD-810, AND SAE J1455

QTY	DESCRIPTION	PART NO	MATERIAL	FINISH	THRU NO
2	NYLON SHOULDER WASHER (fastenercomponents.com)	SWS195	-	-	2
1	O-RING	A5568A-025	-	-	1

UNLESS OTHERWISE SPECIFIED DIMENSIONS ARE IN INCHES

FRACTIONS DECIMALS ANGLES  
± 1/64 ± .005 ± .1°

TOLERANCE SURF PER ANG Y14.5

REMOVE ALL BURRS  
BREAK SHARP EDGES .005 TO .015  
FALLS IN .005 TO R .030  
DIPS IN A CORNER W/ .5-879

MACHINED SURFACES

DO NOT SCALE DRAWING

ORIGINALLY DRAWN	S. HUYNH	May-08-12
ORIGINALLY DESIGNED	S. HUYNH	May-08-12
UPDATED	S. HUYNH	May-22-13
UPDATE DRAWN	P. TRAN	May-22-13
APPROVED	S. HUYNH	May-22-13

**ANTCOM CORP.** TORRANCE, CALIFORNIA

1.2" SQ. isolated Ground  
Wifi Antenna

REV	DATE	DESCRIPTION	BY	CHK
A	05/22/13	ADDED NYLON SHOULDER WASHER	S.H	

SCALE 1/1