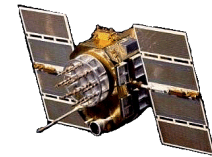




Active L1/L2 GPS Antenna With External Antenna Passed Through 1.2G1215A2-10RMMGF2-1-ICS (10in Right Angle MMCX) Other Frequencies, Connectors and Color Options are Available

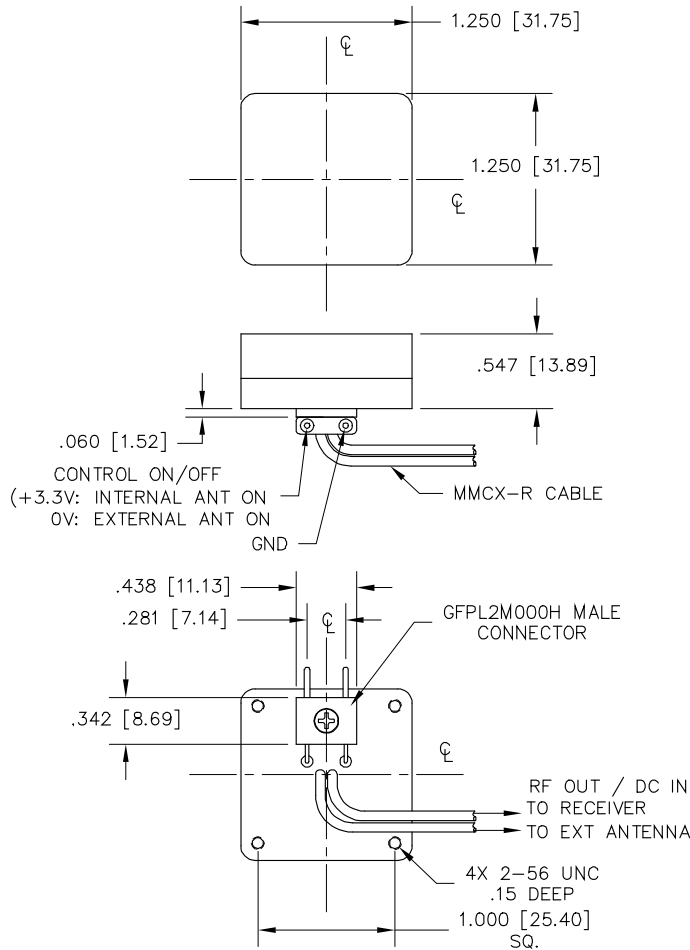


ISO 9001:2008/FAA Approved Facility

Antenna Mounts: <http://www.antcom.com/documents/catalogs/PeripheralAntennaProducts2.pdf>

ANTCOM CORPORATION . 367 Van Ness Way, #602 . Torrance, CA 90501 . Tel: (310) 782-1076 . Fax: (310) 782-1086 . E-mail: antennas@antcom.com . <http://www.antcom.com>

NOTICE OF PROPRIETARY RIGHTS
THIS DOCUMENT CONTAINS CONFIDENTIAL, TECHNICAL DATA INCLUDING TRADE SECRETS PROPRIETARY TO ANTCOM CORP. DISCLOSURE OF THIS DATA TO ANY OTHER ENTITY WITHOUT WRITTEN CONSENT FROM ANTCOM CORP. IS STRICTLY PROHIBITED. YOUR COMPANY ONLY HAS BEEN GRANTED THIS USE IN ACCORDANCE WITH YOUR COMPANY'S POLICY. THIS DOCUMENT DOES NOT INCLUDE MANUFACTURING OR PROCESSING AIDS. ANY OTHER USE IS STRICTLY PROHIBITED WITHOUT PRIOR WRITTEN CONSENT OF ANTCOM CORP.



SPECIFICATIONS

ELECTRICAL:

		REVISIONS																																																																																						
REV	DESCRIPTION	DATE	APPROVED																																																																																					
		<table border="1"> <thead> <tr> <th colspan="2">FREQUENCY:</th> <th>L1: (1575.42 ±15) MHz</th> <th colspan="2">L2: (1227.60 ±15) MHz</th> </tr> <tr> <th colspan="2">RADIATION PATTERN:</th> <th colspan="4">HEMISPHERICAL</th> </tr> <tr> <th colspan="2">POLARIZATION:</th> <th colspan="4">RHCP</th> </tr> <tr> <th colspan="2">VSWR:</th> <th colspan="4">2:1</th> </tr> <tr> <th colspan="2">IMPEDANCE:</th> <th colspan="2">50 ohms</th> <th colspan="2">50 ohms</th> </tr> <tr> <th colspan="2">ANTENNA GAIN (dBic):</th> <th>Free Space</th> <th>3 in G.P.</th> <th>Free Space</th> <th>3 in G.P.</th> </tr> <tr> <td colspan="2">@ 90 ° (ZENITH):</td> <td>-0.8</td> <td>+3.8</td> <td>-3.7</td> <td>+2.7</td> </tr> <tr> <td colspan="2">@ 10 ° Elevation:</td> <td>-9.3</td> <td>-4.3</td> <td>-9.9</td> <td>-6.3</td> </tr> <tr> <td colspan="2">@ 20 ° Elevation:</td> <td>-6.8</td> <td>-2.2</td> <td>-9.2</td> <td>-4.2</td> </tr> <tr> <td colspan="2">@ 30 ° Elevation:</td> <td>-5.2</td> <td>-0.7</td> <td>-7.8</td> <td>-2.4</td> </tr> <tr> <td colspan="2">@ 60 - 90 ° Elevation:</td> <td>> -2.1</td> <td>> 2.5</td> <td>> -4.7</td> <td>> 1.3</td> </tr> <tr> <th colspan="2">BEAM WIDTH (3dB):</th> <td>100 Deg.</td> <td>120 Deg.</td> <td>100 Deg.</td> <td>90 Deg.</td> </tr> <tr> <th colspan="2">AXIAL RATIO:</th> <td colspan="2">2.5 dB</td> <td colspan="2">3dB</td> </tr> <tr> <th colspan="2">LIGHTNING PROTECTION:</th> <td colspan="4">DC GROUNDING</td> </tr> </thead></table>				FREQUENCY:		L1: (1575.42 ±15) MHz	L2: (1227.60 ±15) MHz		RADIATION PATTERN:		HEMISPHERICAL				POLARIZATION:		RHCP				VSWR:		2:1				IMPEDANCE:		50 ohms		50 ohms		ANTENNA GAIN (dBic):		Free Space	3 in G.P.	Free Space	3 in G.P.	@ 90 ° (ZENITH):		-0.8	+3.8	-3.7	+2.7	@ 10 ° Elevation:		-9.3	-4.3	-9.9	-6.3	@ 20 ° Elevation:		-6.8	-2.2	-9.2	-4.2	@ 30 ° Elevation:		-5.2	-0.7	-7.8	-2.4	@ 60 - 90 ° Elevation:		> -2.1	> 2.5	> -4.7	> 1.3	BEAM WIDTH (3dB):		100 Deg.	120 Deg.	100 Deg.	90 Deg.	AXIAL RATIO:		2.5 dB		3dB		LIGHTNING PROTECTION:		DC GROUNDING			
FREQUENCY:		L1: (1575.42 ±15) MHz	L2: (1227.60 ±15) MHz																																																																																					
RADIATION PATTERN:		HEMISPHERICAL																																																																																						
POLARIZATION:		RHCP																																																																																						
VSWR:		2:1																																																																																						
IMPEDANCE:		50 ohms		50 ohms																																																																																				
ANTENNA GAIN (dBic):		Free Space	3 in G.P.	Free Space	3 in G.P.																																																																																			
@ 90 ° (ZENITH):		-0.8	+3.8	-3.7	+2.7																																																																																			
@ 10 ° Elevation:		-9.3	-4.3	-9.9	-6.3																																																																																			
@ 20 ° Elevation:		-6.8	-2.2	-9.2	-4.2																																																																																			
@ 30 ° Elevation:		-5.2	-0.7	-7.8	-2.4																																																																																			
@ 60 - 90 ° Elevation:		> -2.1	> 2.5	> -4.7	> 1.3																																																																																			
BEAM WIDTH (3dB):		100 Deg.	120 Deg.	100 Deg.	90 Deg.																																																																																			
AXIAL RATIO:		2.5 dB		3dB																																																																																				
LIGHTNING PROTECTION:		DC GROUNDING																																																																																						

LNA OPTION:

LNA GAIN:	24.0 dB
LNA NOISE FIGURE:	1.8 dB
LNA P 1dB Out:	+16 dBm
VOLTAGE/CURRENT:	(+2.8 TO +28) Volts DC / (15 TO 25) mA

MECHANICAL:

SIZE:	1.250 in.[31.75 mm] SQ. HEIGHT: 0.547 in. [13.89 mm]
WEIGHT:	1.4 oz. (39.2 g)
FINISH:	SKYDROL RESISTANT POLYURETHANE ENAMEL BASE IRIDITE PER MIL-C-5441F
MATERIAL:	6061-T6 ALUMINUM ALLOY BASE COMPOSITE RADOME, ABRASION, UV, SOLVENT, SKYDROL RESISTANCE, AND FIRE RETARDANT
CONNECTOR:	MMCX-R CABLE (OPTION: MCX, SMA, SMB, SSMA, SSMB, SSMC, OR TNC)

ENVIRONMENTAL:

TEMPERATURE:	-67 °F TO +185 °F [-55 °C TO +85 °C]
ALTITUDE:	70,000 ft.
VIBRATION:	> 30 G's
LEAKAGE:	HERMETICALLY SEAL

FEDERAL & MILITARY SPECIFICATIONS:

DESIGN TO:	FAA TSO-C144, DO-160D, D0-228, MIL-C-5541, MIL-E-5400, MIL-I-45208A, MIL-STD-810, AND SAE J1455
------------	--

ACCEPTANCE TEST PROCEDURE: ATP-GPS-1L2-100

SIZE:	FREQ. BAND:	LNA:
1: 2" SQ.	1215; L1/L2	A2: WITH 20 dB LNA
1.5: 1.9" SQ.	15; L1 ONLY	A4: WITH 40 dB LNA
2: 2.6" DIA.		P: WITHOUT LNA
3: 3.3" DIA.		
4: MINI ARINC		

P/N: 1.2G1215A2-10RMMGF2-1-ICS

- DIMENSIONS IN BRACKETS ARE IN MILLIMETERS [mm]
- ANTENNA TUNED FOR TOP MOUNTING OF CHASSIS

NOTES: UNLESS OTHERWISE SPECIFIED:

CABLE'S LENGTH:	CONNECTOR:	COLOR:
X: NO CABLE	S: SMA; RS: R-SMA; I: MCX; RM: R-MCX	-1: GLOSS WHITE #17925 PER FED-STD-595B
M: MAG. N; NO MAG.	I/M: MMCX; R/M: R-MMCX; SSMA, SSMB	-2: LUSTERLESS GRAY #36320 PER FED-STD-595B
#: CABLE LENGTH (IN)	SMB, SSMC, SSMP, T, TB, TNC, TNC-Bulkhead	-3: OLIVE DRAB GREEN #34034 PER FED-STD-595B
R: RIGHT ANGLE CON.	L-RM: Right Angle Male Lemo	-4: LUSTERLESS BLACK #37038 PER FED-STD-595B

QUANTITY	REQD	DESCRIPTION	PART NO	MATERIAL	FINISH	TEMP
1						
1						
1		O-RING, Item 553-025	AS568A-025	-	-	
-2	-1					

UNLESS OTHERWISE SPECIFIED		DIMENSIONS ARE IN INCHES	
FRACTIONS	DECIMALS	ANGLES	
± 1/64	± .002	± 1°	
± 1/32	± .004		
TOLERANCE SURF PER ANSI Y14.5		REMOVE ALL BURRS	
HOLE POSITION: ± .010		HOLE SQUARENESS: ± .005	
HOLE PERPENDICULARITY: ± .005		HOLE ROUNDNESS: ± .005	
MACHINED SURFACES: ± .005		MATERIAL: 6061-T6 ALUMINUM	
DO NOT SCALE DRAWING		DATE: Jan-20-16	

DATE	BY	DESCRIPTION
Jan-31-17	S. HUYNH	ORIGINALLY DRAWN
Jan-31-17	S. HUYNH	ORIGINALLY DESIGNED
Apr-12-17	S. HUYNH	UPDATED
Apr-12-17	P. TRAN	UPDATE DRAWN
Apr-12-17	S. HUYNH	APPROVED

ANTCOM CORP. TORRANCE, CALIFORNIA	
OUTLINE DRAWING	
L1/L2 ACTIVE or PASSIVE	
GPS ANTENNA	
REV	DATE
D	3CVE1
SCALE: 1/1	
SHEET 1 OF 1	