



Embedded IRIIDIUM/GPS Antenna, P/N: 1.0GIR16RR-P-2MM-X-WB

1in. Square, Back/Front Mount, 2in MMCX Cable Configuration

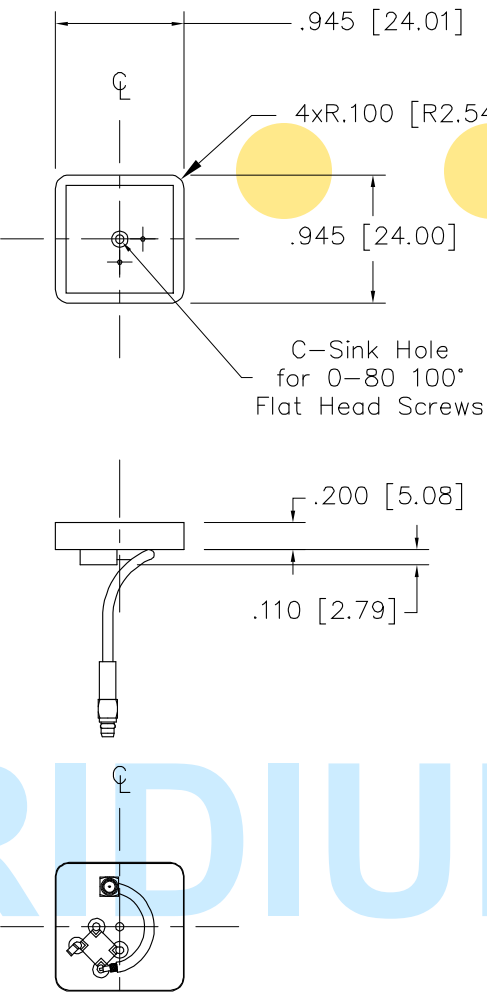
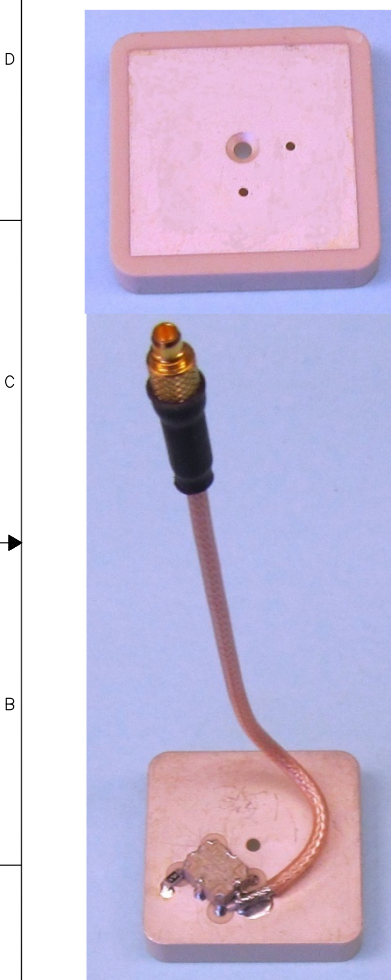


ISO 9001:2008/FAA Approved Facility

Antenna Mounts: <http://www.antcom.com/documents/catalogs/PeripheralAntennaProducts2.pdf>

ANTCOM CORPORATION . 367 Van Ness Way, Suite 602 . Torrance, CA 90501, USA . Tel: (310) 782-1076 . Fax: (310) 782-1086 . E-mail: antennas@antcom.com . <http://www.antcom.com>

NOTICE OF PROPRIETARY RIGHTS
THIS DOCUMENT CONTAINS CONFIDENTIAL, TRADE SECRET, OR PROPRIETARY INFORMATION. ANY DISCLOSURE OF THIS DATA TO YOU IS EXPRESSLY CONDITIONAL UPON YOUR AGREEING THAT ITS USE IS LIMITED TO USE WITHIN YOUR COMPANY ONLY AND DOES NOT INCLUDE REPRODUCTION OR DISSEMINATION. ANY OTHER USE IS EXPRESSLY PROHIBITED WITHOUT PRIOR WRITTEN CONSENT OF ANTCOM CORP.



SPECIFICATIONS

ZONE	REV	REVISIONS	
		DESCRIPTION	DATE
ELECTRICAL:			
FREQUENCY:	(1610.0 - 1626.5) MHz	GPS L1: (1575.42 ±13)	
RADIATION PATTERN:	HEMISPHERICAL	HEMISPHERICAL	
POLARIZATION:	RHCP	RHCP	
VSWR:	< 1.5:1	< 1.5:1	
GAIN (dB):	Free Space	F.S.	
@ 90° (Zenith):	0.0	0.0	
@ 10° Elevation:	- 7.5	- 7.5	
@ 20° Elevation:	- 5.5	- 6.1	
@ 30° Elevation:	- 4.0	- 4.5	
@ 60° Elevation:	- 2.3	- 1.4	
BEAM WIDTH (3dB):	98 °-106 °	103 °	
AXIAL RATIO @ Zenith:	2 dB	2 dB	
POWER HANDLING:	30 W	1 Watt	
LIGHTNING PROTECTION:	DC GROUNDING	DC GROUNDING	
LNA GAIN:	N/A	OPTIONAL	
LNA P 1dB Out:	N/A		
LNA NOISE FIGURE:	N/A		
VOLTAGE/CURRENT:	N/A		

MECHANICAL:	
SIZE:	0.945in [24.01mm] SQ. HEIGHT: 0.2 in. [5 mm]
WEIGHT:	0.46 oz. (13 g)
FINISH:	BARE
MATERIAL:	Alumina UV, SOLVENT, AND SKYDROL RESISTANCE, FIRE RETARDANT
CONNECTOR:	2in MMCX MALE CABLE
MOUNTING:	FRONT 0-80 FLAT SCREW or BACK ADHESIVE

ENVIRONMENTAL:	
TEMPERATURE:	-67 °F TO +185 °F [-55 °C TO +85 °C]
ALTITUDE:	70,000 ft.
VIBRATION:	> 30 G's
LEAKAGE:	HERMETICALLY SEALED

FEDERAL & MILITARY SPECIFICATIONS:
DESIGN TO: FAA TSO-C144, DO-160D, D0-228, MIL-C-5541, MIL-E-5400, MIL-I-45208A, MIL-STD-810, AND SAE J1455

CONFIGURATION:	FREQ. BAND:	GPS/IRIDIUM LNA:	CABLE'S LENGTH:	GPS/IRIDIUM CONNECTOR:	COLOR:
1: 2" SQ. (FLAT)	1516: L1 GPS & IRIDIUM	A: WITH LNA	X: NO CABLE	S: SMA; P: PINS	-1: GLOSS WHITE #17925 PER FED-STD-595B
1.9: 1.9" SQ. (FLAT)	1216: L1/L2 GPS	P: WITHOUT LNA	MN: Flush Mag. Mount	M: MMCX; MM: MMCX	-2: LUSTERLESS GRAY #36320 PER FED-STD-595B
2: 2.6" DIA. (FLAT)	GPS & IRIDIUM		#: Cable Length (ft)	N: NF; NB: N-Bulkhead	-3: OLIVE DRAB GREEN #34031 PER FED-STD-595B
3: 3.6" DIA. (FLAT)	1625: GLOBALSTAR	A2: WITH 20dB LNA	R: RIGHT ANGLE CON.	T: TNC; TB: TNC-Bulkhead	-4: LUSTERLESS BLACK #37038 PER FED-STD-595B
4: MINI ARINC (FLAT)	1523: GPS & XM				
53: (HELIX ROD)	1525: GPS & VHF				
5B: (HELIX BLADE)					
3D: (HELIX HANDHELD)					
1.0: (SQ.)					

P/N: 1.0GIR16RR-P-2MM-4-WB

QUANTITY	DESCRIPTION	PART NO	MATERIAL	FINISH	REV
4			-	-	5
			-	-	3
1			-	-	1

UNLESS OTHERWISE SPECIFIED DIMENSIONS ARE IN INCHES FRACTIONS DECIMALS ANGLES ± 1/64 .0005 .010 ± 1°		DRAWN
TOLERANCE SHIP PER AMS Y14.5 REMOVE ALL BURRS BREAK OFF CHIPS .005 TO .010 FILE TO .005 TO .010 SCREW THREADS PER UN-3-889 DAT'S ON A COMMON (.25" DIA) MACHINED SURFACES		CHECKED
APPROVED	S. HUYNH	DATE
	JAN-27-11	
DO NOT SCALE DRAWING	CAD FILE NO	SCALE 1/1

ANTCOM CORP. TORRANCE CALIFORNIA
EMBEDDED IRIIDIUM/GPS Antenna

NMO Connector Option is Now Available for Some Antennas