



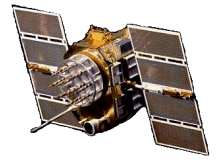
Active or Passive L1/L2 GPS Antenna

P/N: 1.0G1215A2-3UFL-4- LW

1.0G15A4-3S-2-LW (Active L1 Only) ; 1.0G15P-3S-2-LW (Passive L1 Only)

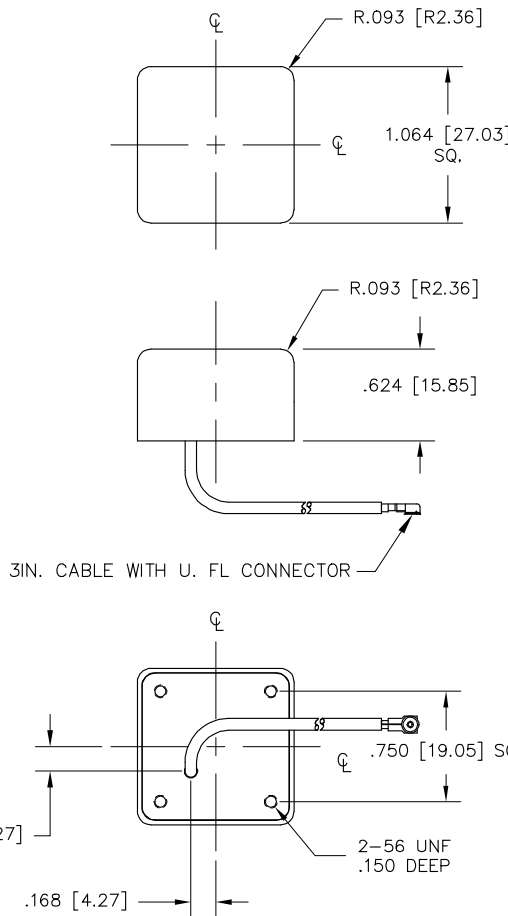
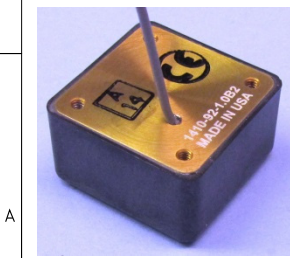
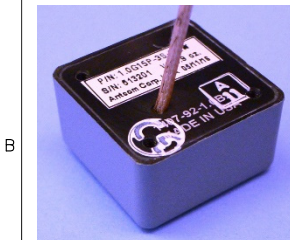
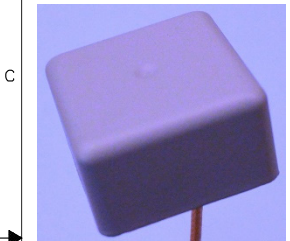
New 1.0" Square, Flat Mount, Bottom Cable, Light Weight Configuration

ISO 9001:2008/FAA Approved Facility Antenna Mounts: <http://www.antcom.com/documents/catalogs/PeripheralAntennaProducts2.pdf>



ANTCOM CORPORATION . 367 Van Ness Way, #602 . Torrance, CA 90501 . Tel: (310) 782-1076 . Fax: (310) 782-1086 . E-mail: antennas@antcom.com . <http://www.antcom.com>

NOTICE OF PROPRIETARY RIGHTS
THIS DOCUMENT CONTAINS CONFIDENTIAL, TECHNICAL DATA INCLUDING TRADE SECRETS PROPRIETARY TO ANTCOM CORP. DISCLOSURE OF THIS DATA TO YOU IS EXPRESSLY PROHIBITED UNLESS YOU FIRST OBTAIN THE WRITTEN CONSENT OF ANTCOM CORP. YOUR USE OF THIS DOCUMENT IS LIMITED TO THE USE WITH YOUR COMPANY ONLY AND DOES NOT INCLUDE MANUFACTURING OR PROCESSING UNLESS YOU OBTAIN THE WRITTEN CONSENT OF ANTCOM CORP.



3IN. CABLE WITH U. FL CONNECTOR

SPECIFICATIONS

ZONE	REV	REVISIONS		
		DESCRIPTION	DATE	APPROVED

ELECTRICAL:

FREQUENCY:	L1: (1575.42 ±12) MHz	L2: (1227.60 ±12) MHz		
RADIATION PATTERN:	HEMISPHERICAL			
POLARIZATION:	RHCP			
VSWR:	< 1.5:1	< 1.5:1		
IMPEDANCE:	50 ohms	50 ohms		
ANTENNA GAIN (dBic):	Free Space	3 in G.P.	Free Space	3 in G.P.
@ 90 ° (ZENITH):	-0.8	+3.8	-3.7	+2.7
@ 10 ° Elevation:	-9.3	-4.3	-9.9	-6.3
@ 20 ° Elevation:	-6.8	-2.2	-9.2	-4.2
@ 30 ° Elevation:	-5.2	-0.7	-7.8	-2.4
@ 60 - 90 ° Elevation:	> -2.1	> 2.5	> -4.7	> 1.3
BEAM WIDTH (3dB):	100 Deg.	120 Deg.	100 Deg.	90 Deg.
AXIAL RATIO:	2.5 dB			3
LIGHTNING PROTECTION:	DC GROUNDING			

LNA OPTION:

LNA GAIN:	24.0 dB
LNA NOISE FIGURE:	1.8 dB
LNA P 1dB Out:	+16 dBm
VOLTAGE/CURRENT:	(+2.8 TO +28) Volts DC / (15 TO 25) mA

MECHANICAL:

SIZE:	1.06 In. [27.03 mm] SQ. HEIGHT: 0.624 in. [15.85 mm]
WEIGHT:	0.96 oz. (27.3 g)
FINISH:	SKYDROL RESISTANT POLYURETHANE ENAMEL BASE IRIDITE PER MIL-C-5441
MATERIAL:	6061-T6 ALUMINUM ALLOY BASE COMPOSITE RADOME, ABRASION, UV, SOLVENT, SKYDROL RESISTANCE, AND FIRE RETARDANT
CONNECTOR:	3.0" CABLE WITH U.FL (OPTION: MCX, SMA, SMB, SSMA, SSMB, SSMC, OR TNC)
ENVIRONMENTAL:	TEMPERATURE: -67 °F TO +185 °F [-55 °C TO +85 °C] ALTITUDE: 70,000 ft. VIBRATION: > 30 G's LEAKAGE: HERMETICALLY SEAL

FEDERAL & MILITARY SPECIFICATIONS:

DESIGN TO: FAA TSO-C144, DO-160D, D0-228, MIL-C-5541, MIL-E-5400, MIL-I-45208A, MIL-STD-810, AND SAE J1455

ACCEPTANCE TEST PROCEDURE: ATP-GPS-L1L2-100

SIZE:	FREQ. BAND:	LNA:
1: 1" SQ.	1215: L1/L2	A2: WITH 20 dB LNA
1.8" 1.9" SQ.	15: L1 ONLY	A4: WITH 40 dB LNA
2: 2.6" DIA.		P: WITHOUT LNA
3: 3.5" DIA.		
4: MINI ARINC		

QTY	DESCRIPTION	PART NO	SPECIFICATION	MATERIAL	FINISH	TEMP
1						
1						
-2	-1					

P/N: 1.0G1215A2-3UFL-4-LW

CABLE'S LENGTH:	CONNECTOR:	COLOR:
X: NO CABLE	UFL: UFL	-1: GLOSS WHITE #17925 PER FED-STD-595B
Y: MAC, N; NO MAG.	S: SMA; RS: R-SMA; M: MCX; RM: R-MCX	-2: LUSTERLESS GRAY #36320 PER FED-STD-595B
W: CABLE LENGTH (IN)	M/M: MMX; R/M: R-MMX; SSMA, SSMB	-3: OLIVE DRAB GREEN #34994 PER FED-STD-595B
R: RIGHT ANGLE CON.	SMB, SSMB, SSMC, Y, TB, TNC, TNC-Bulkhead	-4: LUSTERLESS BLACK #37038 PER FED-STD-595B
		-5: TAN #37038 PER FED-STD-595B

1. DIMENSIONS IN BRACKETS ARE IN MILLIMETERS [mm]

NOTES: UNLESS OTHERWISE SPECIFIED:

UNLESS OTHERWISE SPECIFIED DIMENSIONS ARE IN INCHES FRACTIONS ARE 16THS DECIMALS ARE 100S ANGLES ± 1° SURF FINISH: 32x 015 32x .005 ± 1°

TOLERANCE .5M PER ANSI Y14.5

REMOVE ALL BURRS BREAK EXTERNAL EDGES TO .015 RADIUS R .005 TO R .015 SQUARE DIMENSIONS PER MIL-S-8879 PARTS ON A COMMON 4

MACHINED SURFACES

DO NOT SCALE DRAWING

ORIGINALLY DRAWN: S. HUYNH Dec-05-11
ORIGINALLY DESIGNED: S. HUYNH Dec-05-11
UPDATED: S. HUYNH Feb-25-14
UPDATE DRAWN: P. TRAN Feb-25-14
APPROVED: S. HUYNH Feb-25-14

OUTLINE DRAWING
L1/L2 ACTIVE or PASSIVE
GPS ANTENNA

SCALE 1/1

SHEET 1 OF 1