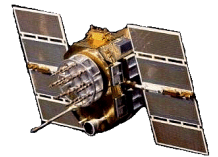




IRIDIUM/GPS Antenna, P/N: 0.5R1216P-XTM-4-SL Rev E

0.5" Diameter x 6" Tall

Spring Loaded Threaded Bottom Mount Configuration

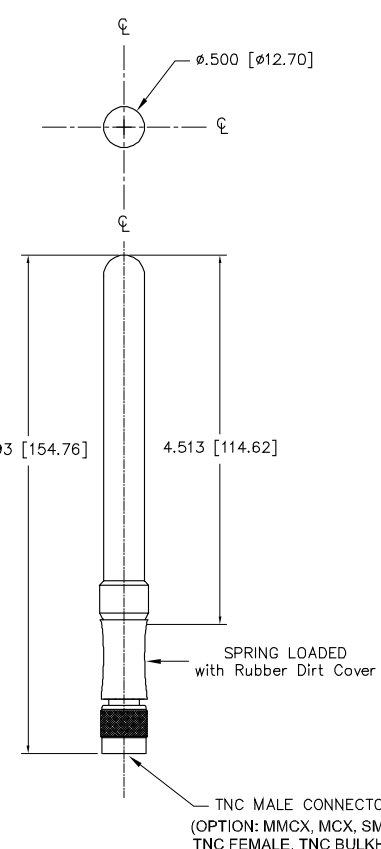


ISO 9001:2008/FAA Approved Facility

Antenna Mounts: <http://www.antcom.com/documents/catalogs/PeripheralAntennaProducts2.pdf>

ANTCOM CORPORATION . 367 Van Ness Way, Suite 602 . Torrance, CA 90501 . Tel: (310) 782-1076 . Fax: (310) 782-1086 . E-mail: antennas@antcom.com . <http://www.antcom.com>

NOTICE OF PROPRIETARY RIGHTS
THIS DOCUMENT CONTAINS CONFIDENTIAL, TECHNICAL DATA INCLUDING TRADE SECRETS PROPRIETARY TO ANTCOM CORP. DISCLOSURE OF THIS DATA TO YOU IS EXPRESSLY PROHIBITED UNLESS YOU AGREE THAT ITS USE IS LIMITED TO USE WITH YOUR COMPANY ONLY AND DOES NOT INCLUDE REPRODUCTION, OR PROMOTION, LEASE, OR OTHER USE IS STRICTLY PROHIBITED WITHOUT PRIOR WRITTEN CONSENT OF ANTCOM CORP.



OPTIONAL SPRING LOADED ADAPTER:
P/N: TNC-M-SL-2in-TNC-F

SPECIFICATIONS

ELECTRICAL:

FREQUENCY (MHz):	REVISIONS				
	ZONE	REV	DESCRIPTION	DATE	APPROVED
(1575.42 ±15)	A	1	Ultrem 2200 Black (20% Glass)	Aug-10-10	S.H
(1542.50 ±17.5)	B	1	SPRING LOADED BASE	NOV-20-10	S.H
(1642.50 ±17.5)	C	1	One piece Bottom Cable	Dec-18-10	S.H
(1602-1616)	D	1	Cable Loop In Spring	Dec-20-10	S.H
(1610-1626)	E	1	With Dirt Cover	Feb-01-11	S.H

	L1 GPS	Rx INMARSAT	Tx INMARSAT	GLONASS	IRIDIUM
GAIN in FS/3in GP (dBic)					
@ 90° (Zenith):	-1.6	-2.9	+0.1	+0.5	+0.5
@ 10° Elevation:	-4.5	-6.0	-2.1	-2.0	-2.0
@ 20° Elevation:	-3.5	-5.0	-1.1	-0.9	-0.9
@ 30° Elevation:	-2.8	-4.2	-0.7	-0.3	-0.3
@ 45° Elevation:	-2.3	-3.5	-0.2	+0.3	+0.3
@ 70° Elevation:	-1.8	-3.0	-0.4	+0.2	+0.2
BEAM WIDTH (3dB)	152 Deg.	150 Deg.	170 Deg.	1 to 3	160 Deg.
AXIAL RATIO (dB)	1 to 3	1 to 3	1 to 3	1 to 3	1 to 3
RADIATION PATTERN:	HEMISPHERICAL				
POLARIZATION:	RHCP				
VSWR:	< 2.0:1				

LNA OPTION for GPS:

LNA GAIN: (27.0+/-2.0) dB
 LNA NOISE FIGURE: <1.4 dB
 LNA P 1dB Out: +13 dBm
 VOLTAGE/CURRENT: (3-10) Volts/ 20mA

MECHANICAL:

SIZE: DIAMETER: 0.50 in. [12.70 mm]
 HEIGHT: 6.01 in. [153 mm]
 WEIGHT: 1.3 oz (37 g)
 FINISH: SKYDROL RESISTANT POLYURETHANE ENAMEL, BLACK ANODIZING (MIL-A-8625F, Type II Class II)
 COLOR: See Below Description
 MATERIAL: 6061-T6 ALUMINUM ALLOY BASE COMPOSITE RADOME, IMPACT, ABRASION, UV, SOLVENT, SKYDROL RESISTANCE, AND FIRE RETARDANT
 CONNECTOR: TNC MALE (OPTION: MMCX, MCX, SMP, SSMC, SMA, BNC TNC FEMALE, TNC-BULKHEAD, N, N-BULKHEAD, or Cable)

ENVIRONMENTAL:

TEMPERATURE: -67 °F TO +185 °F [-55 °C TO +85 °C]
 ALTITUDE: 70,000 ft.
 VIBRATION: > 30 G's
 LEAKAGE: HERMETICALLY SEALED

FEDERAL & MILITARY SPECIFICATIONS:

DESIGN TO: FAA TSO-C144, DO-160D, D0-228, MIL-A-8625F, MIL-E-5400, MIL-145208A, MIL-STD-810, AND SAE J1455

ACCEPTANCE TEST PROCEDURE: ATP-GPS-L1L2-100

CONFIGURATION:	FREQUENCY:	LNA:	CABLE'S LENGTH:	FEMALE CONNECTOR:	COLOR:
1: 2" SQ. (FLAT)	1216: L1/L2/Inmarsat	A1: WITH LNA	X: NO CABLE	S: SMA; P: PINS	-1: GLOSS WHITE #17925 PER FED-STD-595B
1.9: 1.9" SQ. (FLAT)	1215: L1/L2		M: WITH MAG. MOUNT	M: MCX; MM: MMCX	-2: LUSTERLESS GRAY #38320 PER FED-STD-595B
2: 2.8" DIA. (FLAT)	15: L1	P: WITHOUT LNA	R: CABLE LENGTH (IN)	SMP, SSMC; B: BNC	-3: OLIVE DRAB GREEN #34031 PER FED-STD-595B
3: 3.5" DIA. (FLAT)		RR: TX: RHCP, RX: RHCP	R: RIGHT ANGLE CON.	T: TNC; TB: TNC-Bulkhead	-4: Natural Back Color from Ultrem 2200 Black (20% Glass)
0.5R: 0.5" DIA. RHCP HELIX				TM: TNC MALE	-5: Natural Back Color from Ultrem 2200 Black (20% Glass)
0.5T: 0.5" DIA. LHCP HELIX				NE: N; NB: N-Bulkhead	-6: Desert Tan
53: (HELIX ROD)					
5B: (HELIX BLADE)					
3D: (HELIX HANDHELD)					

P/N: 0.5R1216P-XTM-4-SL

NOTES: UNLESS OTHERWISE SPECIFIED:
 1. DIMENSIONS IN BRACKETS ARE IN MILLIMETERS [mm]
 2. ALL SCREWS ARE SUPPLIED BY ANTCOM CORPORATION

QUANTITY	DESCRIPTION	PART NO	MATERIAL	FINISH	REV
1	1	-	-	-	1

UNLESS OTHERWISE SPECIFIED	ANTCOM CORP.
FRACCTIONS ARE IN INCHES	TORRANCE CALIFORNIA
TOLERANCE DIM PER ASH Y14.5	
REMOVE ALL BURRS	
BREAK EXTERNAL EDGES .005 TO .015	
FILED IN .002 TO .005	
FINISH PER MIL-S-8879	
DAYS ON A COMMON & 20-000	
MACHINED SURFACES	
DO NOT SCALE DRAWING	

DATE	BY	REV
03/01/11	S. HUYNH	1
Feb-23-04		

SCALE 1/1 SHEET 1 OF 1

NMO Connector Option is Now Available for Some Antennas