



ISO 9001:2008/FAA Approved Facility

IRIDIUM/GPS Antenna, P/N: 0.5R1216P-XTM-4-SL Rev E

0.5" Diameter x 6" Tall,

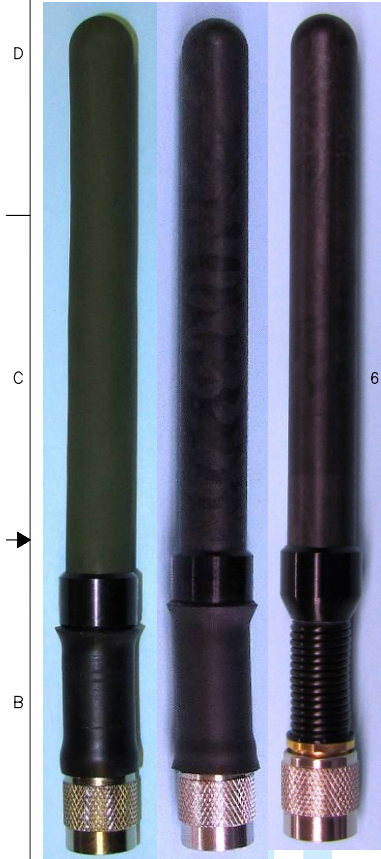
Spring Loaded Threaded Bottom Mount Configuration

Antenna Mounts: <http://www.antcom.com/documents/catalogs/PeripheralAntennaProducts2.pdf>

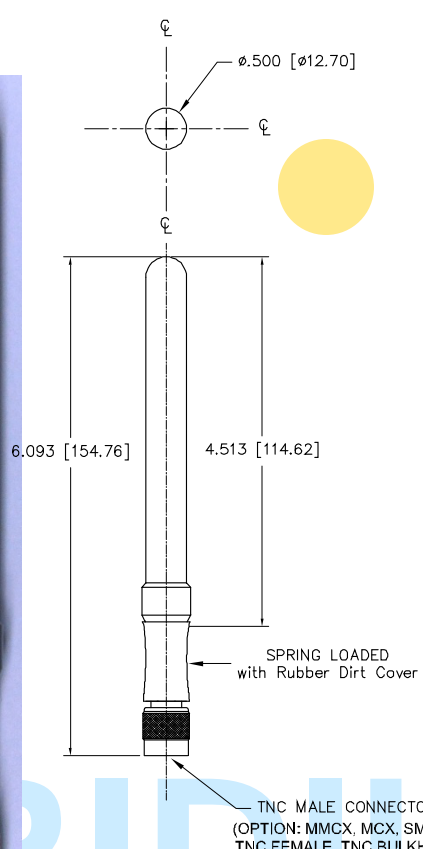


ANTCOM CORPORATION, 367 Van Ness Way, Suite 602, Torrance, CA 90501, USA. Tel: (310) 782-1076, Fax: (310) 782-1086, E-mail: antennas@antcom.com, <http://www.antcom.com>

NOTICE OF PROPRIETARY RIGHTS
THIS DOCUMENT CONTAINS CONFIDENTIAL, TRADE SECRET, OR PROPRIETARY INFORMATION. ANY DISCLOSURE OF THIS DATA TO THE PUBLIC WITHOUT THE WRITTEN CONSENT OF ANTCOM CORPORATION IS STRICTLY PROHIBITED WITHOUT THE WRITTEN CONSENT OF ANTCOM CORP.



OPTIONAL SPRING LOADED ADAPTER:
P/N: TNC-M-SL-2in-TNC-F



SPECIFICATIONS

ELECTRICAL:

FREQUENCY (MHz):	REVISIONS				
	ZONE	REV	DESCRIPTION	DATE	APPROVED
(1575.42 ±15)	A	U	Ultrem 2200 Black (20% Class)	Aug-10-10	S.H.
(1542.50 ±17.5)	B		SPRING LOADED BASE	NOV-20-10	S.H.
(1642.50 ±17.5)	C		One piece Bottom Cable	Dec-18-10	S.H.
(1602-1616)	D		Cable Loop In Spring	Dec-20-10	S.H.
(1610-1626)	E		With Dirt Cover	Feb-01-11	S.H.

GAIN in FS/3in GP (dBiC)	L1 GPS	Rx INMARSAT	Tx INMARSAT	GLONASS	IRIDIUM
@ 90° (Zenith):	-1.6	-2.9	+0.1	+0.5	+0.5
@ 10° Elevation:	-4.5	-6.0	-2.1	-2.0	-2.0
@ 20° Elevation:	-3.5	-5.0	-1.1	-0.9	-0.9
@ 30° Elevation:	-2.8	-4.2	-0.7	-0.3	-0.3
@ 45° Elevation:	-2.3	-3.5	-0.2	+0.3	+0.3
@ 70° Elevation:	-1.8	-3.0	-0.4	+0.2	+0.2
BEAM WIDTH (3dB)	152 Deg.	150 Deg.	170 Deg.	160 Deg.	160 Deg.
AXIAL RATIO (dB)	1 to 3	1 to 3	1 to 3	1 to 3	1 to 3
RADIATION PATTERN:	HEMISPHERICAL				
POLARIZATION:	RHCP				
VSWR:	< 2.0:1				

LNA OPTION for GPS:

LNA GAIN: (27.0+/-2.0) dB
 LNA NOISE FIGURE: <1.4 dB
 LNA P 1dB Out: +13 dBm
 VOLTAGE/CURRENT: (3-10) Volts/ 20mA

MECHANICAL:

SIZE: DIAMETER: 0.50 in. [12.70 mm]
 HEIGHT: 6.01 in. [153 mm]
 WEIGHT: 1.3 oz (37 g)
 FINISH: SKYDROL RESISTANT POLYURETHANE ENAMEL, BLACK ANODIZING (MIL-A-8625F, Type II Class II)
 COLOR: See Below Description
 MATERIAL: 6061-T6 ALUMINUM ALLOY BASE COMPOSITE RADOME, IMPACT, ABRASION, UV, SOLVENT, SKYDROL RESISTANCE, AND FIRE RETARDANT
 CONNECTOR: TNC MALE (OPTION: MMCX, MCX, SMP, SSMC, SMA, BNC TNC FEMALE, TNC-BULKHEAD, N, N-BULKHEAD, or Cable)

ENVIRONMENTAL:

TEMPERATURE: -67 °F TO +185 °F [-55 °C TO +85 °C]
 ALTITUDE: 70,000 ft
 VIBRATION: > 30 G's
 LEAKAGE: HERMETICALLY SEALED

FEDERAL & MILITARY SPECIFICATIONS:

DESIGN TO: FAA TSO-C144, DO-160D, D0-228, MIL-A-8625F, MIL-E-5400, MIL-I-45208A, MIL-STD-810, AND SAE J1455

ACCEPTANCE TEST PROCEDURE: ATP-GPS-L1L2-100

CONFIGURATION:	FREQUENCY:	LNA:	CABLE'S LENGTH:	FEMALE CONNECTOR:	COLOR:
1: 2" SQ. (FLAT)	1216: L1/L2/Inmarsat	A1: WITH LNA	X: NO CABLE	S: SMA; P: PINS	-1: GLOSS WHITE #17925 PER FED-STD-595B
1.5: 1.9" SQ. (FLAT)	1215: L1/L2		M: WITH MAG. MOUNT	M: MCX; MM: MMCX	-2: LUSTERLESS GRAY #36320 PER FED-STD-595B
2: 2.6" DIA. (FLAT)	15: L1	P: WITHOUT LNA	R: CABLE LENGTH (IN)	SMP, SSMC; B: BNC	-3: OLIVE DRAB GREEN #34031 PER FED-STD-595B
3: 3.6" DIA. (FLAT)	RR: TX: RHCP, RX: RHCP		R: RIGHT ANGLE CON.	T: TNC; TB: TNC-Bulkhead	-4: Natural Back Color from Ultrem 2200 Black (20% Glass
0.5R: 0.5" DIA. RHCP HELIX				TM: TNC MALE	-8: Desert Tan
0.5T: 0.5" DIA. LHCP HELIX				N: N; NB: N-Bulkhead	
0.5R: (HELIX ROD)					
0.5B: (HELIX BLADE)					
0.5D: (HELIX HANDHELD)					

P/N: 0.5R1216P-XTM-4-SL

NOTES: UNLESS OTHERWISE SPECIFIED:
 1. DIMENSIONS IN BRACKETS ARE IN MILLIMETERS [mm]
 2. ALL SCREWS ARE SUPPLIED BY ANTCOM CORPORATION

QUANTITY REQD	DESCRIPTION	PART NO	MATERIAL	FINISH	REV
1	1	-	-	-	1
-2	-1				

UNLESS OTHERWISE SPECIFIED DIMENSIONS ARE IN INCHES		TOLERANCES UNLESS OTHERWISE SPECIFIED	
FRACTIONS	DECIMALS	ANGLES	
± 1/64	± .015	± 1°	
	± .005		

DATE	BY	APP'D	REV
10/30/04	S. HUYNH	Feb-23-04	E

SCALE	SHEET
1/1	1 OF 1

NMO Connector is Now Available for Some Antennas