



ISO 9001:2008/FAA Approved Facility

Antenna Mounts/Adapters: <http://www.antcom.com/documents/catalogs/PeripheralAntennaProducts2.pdf>



FAA Approved TSO Antennas

Dual Vertical/Horizontal (2.2-2.5) GHz OMNI Antenna

P/N: 9BR-2.2-2.5VH-XTT-2 (8.783in Tall with Ground Plane Applications)
 P/N: 3.5BR-2.2-2.5VH-XTT-2-FS (3.500in Tall without Ground Plane Applications)
 Other Frequencies, Polarization, and Mounting Foot Prints Are Available

ANTCOM CORPORATION . 367 Van Ness Way, Suite 602 . Torrance, CA 90501, USA . Tel: (310) 782-1076 . Fax: (310) 782-1086 . E-mail: antennas@antcom.com . <http://www.antcom.com>

7

6

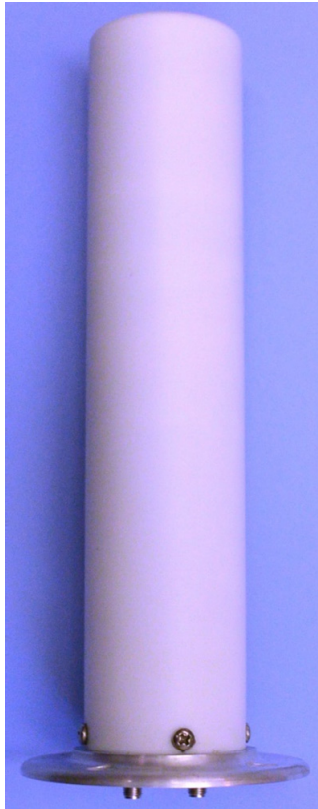
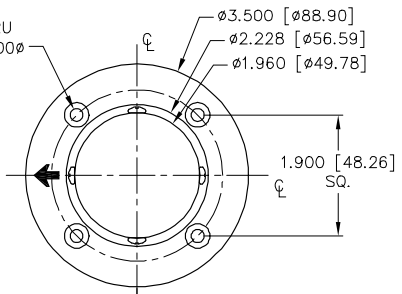
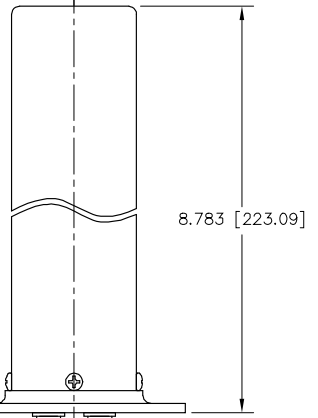
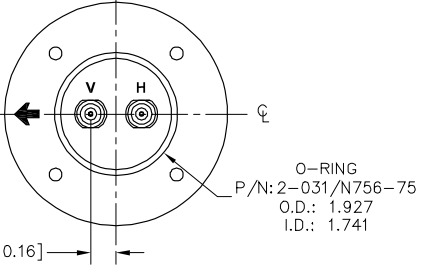
5

4

3

2

1

4X ϕ 0.201 [ϕ 5.11] THRU
 \checkmark ϕ 0.385 [ϕ 9.78] X 100 ϕ
 ON 1.344 RAD.

ϕ 3.500 [ϕ 88.90]
 ϕ 2.228 [ϕ 56.59]
 ϕ 1.960 [ϕ 49.78]

1.900 [48.26] SQ.

8.783 [223.09]

TNC FEMALE CONNECTOR

2X .400 [10.16]

O-RING
 P/N: 2-031/N756-75
 O.D.: 1.927
 I.D.: 1.741

P/N: 9BR-2.2-2.5VH-XTT-2

SPECIFICATIONS

ELECTRICAL:

FREQUENCY (GHz):	S-Band (2.2-2.5)
RADIATION PATTERN:	OMNIDIRECTIONAL
POLARIZATION:	VERTICAL/HORIZONTAL
ANTENNA GAIN (1ft GP):	3 dB
VSWR:	2.0:1
OUTPUT IMPEDANCE:	50 Ω
POWER HANDLING:	>50 watts

MECHANICAL:

SIZE: DIAMETER = 3.50 in. [88.90 mm]
 HEIGHT = 8.783 in. [223.09 mm]

WEIGHT: 1.28 lbs (580 g)

FINISH: TEFLON NATURAL WHITE OR SKYDROL RESISTANT POLYURETHANE ENAMEL
 BASE IRIDITE PER MIL-C-5541F

COLOR: TEFLON NATURAL WHITE
 LUSTERLESS GRAY #36320 PER FED-STD-595B
 OLIVE DRAB GREEN #34031 PER FED-STD-595B
 LUSTERLESS BLACK #37038 PER FED-STD-595B

MATERIAL: 6061-T6 ALUMINUM ALLOY BASE
 COMPOSITE RADOME, IMPACT, ABRASION, UV, SOLVENT, AND SKYDROL RESISTANCE, FIRE RETARDANT

CONNECTOR: TNC FEMALE
 (OPTION: SMA, MCX, MMCX, or Cable)

ENVIRONMENTAL:

TEMPERATURE: -67 °F TO +185 °F [-55 °C TO +85 °C]
 ALTITUDE: 70,000 ft.
 VIBRATION: > 30 G's
 LEAKAGE: HERMETICALLY SEAL

FEDERAL & MILITARY SPECIFICATIONS:

DESIGN TO: FAA TSO-C144, DO-160D, DO-228, MIL-C-5541, MIL-E-5400, MIL-I-45208A, MIL-STD-810, AND SAE J1455

NOTICE OF PROPRIETARY RIGHTS

THIS DOCUMENT CONTAINS CONFIDENTIAL, TECHNICAL DATA INCLUDING TRADE SECRETS PROPRIETARY TO ANTCOM CORP. DISCLOSURE OF THIS DATA TO ANY OTHER PERSONS WITHOUT THE WRITTEN CONSENT OF ANTCOM CORP. IS STRICTLY PROHIBITED WITHOUT PRIOR WRITTEN CONSENT OF ANTCOM CORP.

NOTES: UNLESS OTHERWISE SPECIFIED:

ZONE	REV	DESCRIPTION	DATE	APPROVED

DESCRIPTION	PART NO	MATERIAL	FINISH	QTY
O-RING	2-031/N756-75	-	-	1

QUANTITY	DESCRIPTION	PART NO	MATERIAL	FINISH	QTY
	O-RING	2-031/N756-75	-	-	1

UNLESS OTHERWISE SPECIFIED	ORIGINAL DRAWN	S. HUYNH	SEPT-09-16
FRACCTIONS DECIMALS ANGLES	ORIGINAL DESIGNED	S. HUYNH	SEPT-09-16
\pm 1/64	UPDATED	S. HUYNH	MAY-18-17
TOLERANCE SMA PER ANS Y14.6	UPDATE DRAWN	P. TRAN	MAY-18-17
REMOVE ALL BURRS	APPROVED	S. HUYNH	MAY-18-17
BREAK EXTERNAL EDGES .005 TO .015	DO NOT SCALE DRAWING		
FILES IN .005 TO .010			
SOFTEN THREADS PER MIL-S-8879			
DRIVE IN A CORNER & UP .005			
MACHINED SURFACES			

FREQUENCY:	POLARIZATION:	CONNECTOR:
2.2-2.5: 2.2-2.5 GHz	V: VERTICAL H: HORIZONTAL R: RHCP L: LHCP	S: SMA, BNC: BNC T: TNC, TB: TNC-BLK N: N, NB: N-BLK

ANTCOM CORP. TORRANCE, CALIFORNIA

OUTLINE DRAWING

9BR Rod

VERT./HOR. S-Band OMNI Antenna

SCALE 1/1

SHEET 1 OF 1